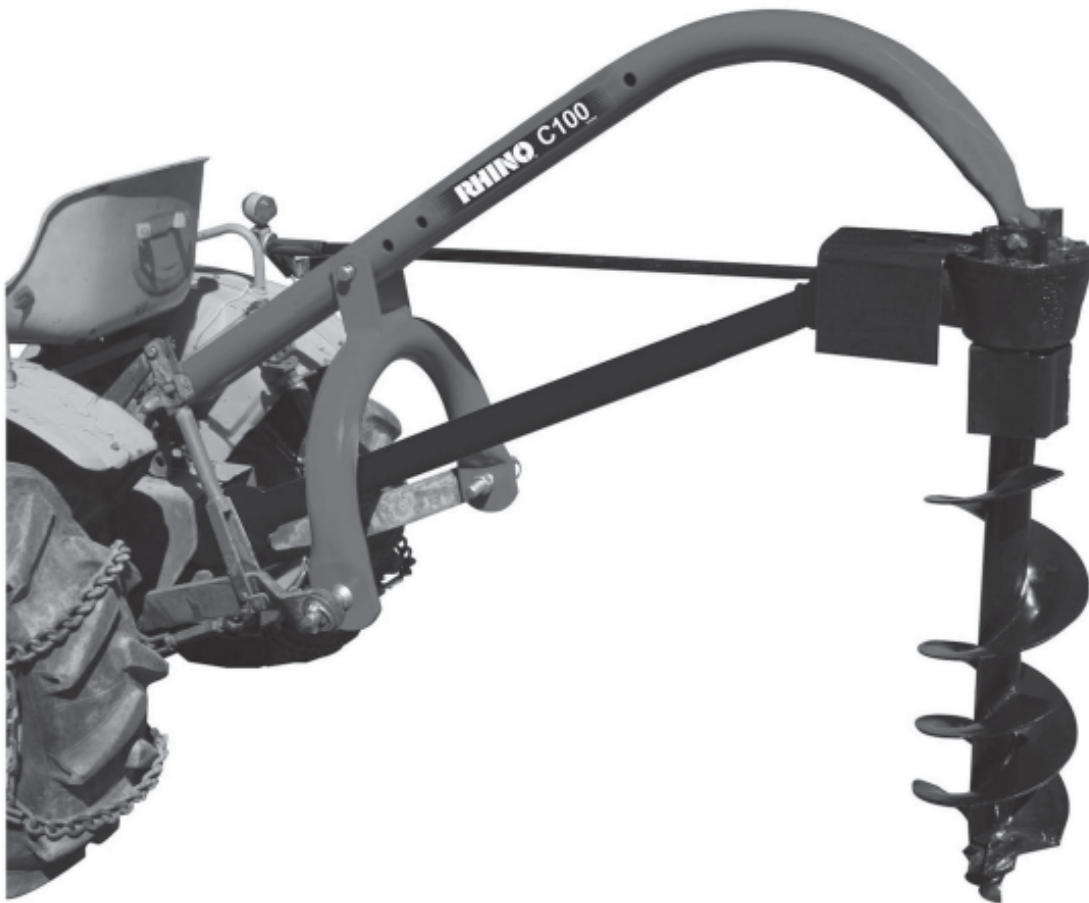




# MODEL C100 POST HOLE DIGGER



## MANUAL, OPERATORS & PARTS



***THIS SAFETY ALERT SYMBOL IDENTIFIES IMPORTANT SAFETY MESSAGES IN THIS MANUAL. FAILURE TO FOLLOW THIS IMPORTANT SAFETY INFORMATION MAY RESULT IN SERIOUS INJURY OR DEATH.***

# Table of Contents

	Page(s)
Important Safety Information .....	1-4
Intended Use .....	1
Personal Protective Equipment .....	1
Safety Decals .....	1-3
General Safety and Preparation .....	3
Operating Safety .....	4
Repair and Maintenance Safety .....	4
Assembly Instructions .....	5
Operating Instructions .....	6
General Maintenance .....	6
Parts List .....	7
Parts Breakdown Illustration .....	8
Auger Parts and Breakdowns .....	9 -10
Weight Mounting Kit .....	11
Notes .....	12
Specifications .....	13
Ordering Information .....	13



# IMPORTANT SAFETY INFORMATION



***WARNING:*** Read and thoroughly understand all instructions and safety information before assembling or operating this post hole digger. Failure to do so may cause serious injury or death. Do not allow anyone to operate this post hole digger who has not read this manual. As with all power equipment a post hole digger can be dangerous if assembled or used improperly. Do not operate this post hole digger if you have doubts or questions concerning safe operation. Call our customer service department at 1-800-446-5158 to address these concerns.

*Si no entiende ingles, se prefiere que busque alguien que interprete las instrucciones para usted.*

## INTENDED USE

This product is designed to dig holes in the soil when attached to the 3-point linkage system and power-take-off of a tractor. It is **not** intended for any other use. Using the product for anything other than digging holes could result in serious injury or death.

## PERSONAL PROTECTIVE EQUIPMENT



**ALWAYS** use appropriate personal protective equipment such as protective eyewear and safety shoes when operating this post hole digger.

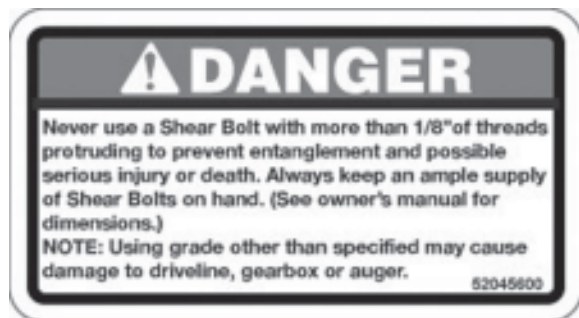
**NEVER** wear loose clothing or jewelry that could become entangled in the auger or driveline.

## SAFETY DECALS

**ALWAYS** replace missing or defaced decals. Reorder from Rhino, 1020 S. Sangamon Ave., Gibson City, IL 60936 or call 1-800-446-5158.



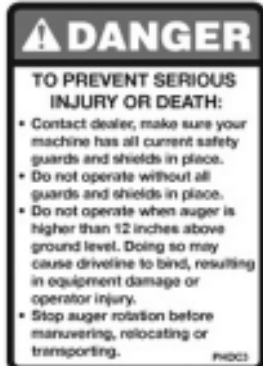
LOCATION: FRONT OF GEAR BOX  
ORDER DECAL KIT: 00785764



LOCATION: SIDE OF GEAR BOX  
ORDER DECAL KIT: 00785764



# IMPORTANT SAFETY INFORMATION



LOCATION: BOOM  
ORDER DECAL KIT: 00785763



LOCATION: PTO DRIVE SHAFT  
SHIELD  
ORDER DECAL KIT: 00785764



LOCATION: PTO DRIVE SHAFT  
UNDER SHIELD  
ORDER DECAL KIT: 00785764

**NOTE: IF THE DRIVE SHAFT GUARD MENTIONED IN THE ABOVE DECAL IS MISSING, YOU MUST ORDER A REPLACEMENT BY CALLING RHINO AT 1-800-446-5158.**



LOCATION: TOP END OF BOOM ON  
GEAR BOX END  
ORDER DECAL KIT: 00785763



# IMPORTANT SAFETY INFORMATION



LOCATION: TOP END OF AUGER TUBE  
ORDER DECAL KIT: 00785764

***NOTE: IF THE OUTPUT SHAFT GUARD MENTIONED IN THE ABOVE DECAL IS MISSING , YOU MUST ORDER A REPLACEMENT BY CALLING RHINO AT 1-800-446-5158.***

## GENERAL SAFETY AND PREPARATION

**ALWAYS** make sure that anyone else who operates this post hole digger has read and understood the contents of the owner's manual and all safety decals on the product.

**ALWAYS** be certain that all members of the work party are familiar with the operation of the digger and the hazards associated with it.

**ALWAYS** check with authorities for underground utilities before digging a hole. Serious injury or death could result from contact with gas or electric lines.

**ALWAYS** check the tractor owner's manual for instructions on operation, attachment of 3-point equipment and safety.

**ALWAYS** make sure that all safety shields are in place and tightened down. Do not operate this post hole digger if any shields are missing. Contact Rhino at 1-800-446-5158 for replacement part(s).

**ALWAYS** make sure that the auger point and cutting edges are intact and in good working order before using this digger

**NEVER** allow children or other persons to ride on the Tractor or Implement. Falling off can result in serious injury or death.

**NEVER** allow children to play on or around Tractor or Implement. Children can slip or fall off the Equipment and be injured or killed. Children can cause the Implement to shift or fall crushing themselves or others.



# IMPORTANT SAFETY INFORMATION

## OPERATING SAFETY

**ALWAYS** operate this post hole digger from the tractor seat. Only one person should operate the digger.

**NEVER** attach the post hole digger with the tractor engine running.

**NEVER** operate the post hole digger with anyone near or in contact with any part of the implement, PTO driveline or auger. Serious injury or death could result from entanglement with moving parts.

**ALWAYS** make sure that the tractor brake is set before digging a hole.

**ALWAYS** keep hands, feet and clothing away from power-driven parts during operation.

**NEVER** manually position the auger or manually force the auger into the ground.

**ALWAYS** make sure that the tractor engine is shut off and the PTO drive is disengaged before leaving the tractor seat.

**NEVER** move the tractor with the power-take-off in the ON position.

**NEVER** exceed 540 RPM PTO operating speed.

**NEVER** operate the post hole digger when the auger point is more than 6 in. above ground level. Operating the digger in elevated positions may cause the PTO driveline "U" joints to bind resulting in equipment damage and operator injury.

**ALWAYS** turn off the digger immediately if an immovable object is encountered to prevent damage to the gear box or driveshaft and possible injury. A shear bolt is provided but may become welded to the input shaft if the driveshaft is left running after being sheared.

## REPAIR AND MAINTENANCE SAFETY

**ALWAYS** perform maintenance operations such as lubrication, adjustments or repairs on the post hole digger with the tractor engine off, the PTO drive disengaged and the auger point resting on the ground.

**ALWAYS** use the correct shear bolt (Grade 5). **NEVER** use or replace the shear bolt with one that is longer than the one specified in the manual (5/16" x 2-1/2").

Periodically inspect all moving parts for wear and replace when necessary with authorized service parts. Look for loose fasteners, worn or broken parts, and leaky or loose fittings. Serious injury may occur from not maintaining this machine in good working order.

**Do not modify or alter this Implement. Do not permit another to modify or alter this Implement, any of its components or any Implement function. Any modification will void the warranty.**

## **ASSEMBLY INSTRUCTIONS**

REFER TO ILLUSTRATION C

- IMPORTANT:** The gear box is shipped without lubricant. Fill the top hole with 80W - 90WT lubricant or the equivalent. The gear box holds 25 oz. (0.7 liter). Fill to the bottom of the plug hole on the side. Do not fill to overflow point as this may damage the seals.
- NOTE:** Order part number 00724177 for 1 quart of 80W - 90WT gear oil.
- STEP 1:** Be certain that the gear box has adequate lubrication. Check the oil level after every fifty hours of use.
- STEP 2:** Attach the boom (1) to the top link mounting bracket on the tractor using a top link pin and a lynch pin (not provided) through the hole at the bottom of the boom.
- STEP 3:** Connect the "A" frame (5) to the tractor's 3-point lift arms using the 7/8 in. hitch pins with nut and lockwasher (5A) as shown in the drawing. Attach the "A" frame (5) to the boom (1) after selecting the desired hole (for angle adjustment) using the Toplink pin (6) and lynch pin (4).
- STEP 4:** Attach the gear box (10) to the boom (1) using the boom pin (2) provided with the gear box. When in place secure with cotter pins provided. **NOTE:** Input shaft shield (9) and output shaft shield (23) are already attached to the gear box.
- STEP 5:** Attach the auger (20, 21 or 22) to the output shaft on the bottom of the gear box (10) using the 1/2 in. hex cap screws (17), 1/2 in. lockwashers (18) and 1/2 in. hex nuts (19). Tighten the nuts.
- STEP 6:** Attach the driveline (13) to the gear box input shaft using the 5/16 in. grade 5 hex cap screw (14), the 5/16 in. lockwasher (15) and the 5/16 in. NC hex nut (16). Tighten the hex nut. Insert the 1/4 in. x 3/8 in. set screw in the hole on the yoke that aligns with the 3/16 in. groove on the gear box input shaft. Tighten.
- ATTENTION:** THE 5/16 IN. HEX CAP SCREW PROVIDES SHEAR PROTECTION. USE A GRADE 5 2-1/2" BOLT ONLY TO AVOID DAMAGE TO THE GEAR BOX OR AUGER.
- IMPORTANT:** The universal joint should be greased with a good grade chassis lube every week. At the beginning of each season grease the sliding driveshaft members with a moly grease. All diggers are equipped with quick-detach universal joints on the power-take-off end for a 1-3/8 in. splined shaft.
- STEP 7:** Attach the tractor end of the driveline (13) to the tractor PTO shaft. Slide the collar away from the tractor, slide the yoke onto the PTO shaft of the tractor. Release the collar. It will be necessary to obtain a 1-1/8 in. to 1-3/8 in. sleeve spline adapter if your tractor PTO shaft has a 1-1/8 in. spline.
- STEP 8:** Attach the handle (8) to the gear box (10) and secure with the 5/16 in. set screw in the gear box. Tighten.
- STEP 9:** Check all nuts and bolts for tightness. Stabilizers should be kept tight to avoid side sway of the digger.
- NOTE:** See illustration A for reference in assembling the digger and mounting it to the tractor. Note that the boom angle can be adjusted on your tractor for proper digging and ground clearance by moving the "A" frame to a different mounting hole as shown in illustration B.
- NOTE:** When the 7/8 in. diameter hitch pins in the "A" frame are too small for the holes in the lift arms, bushings should be used to obtain a proper fit.

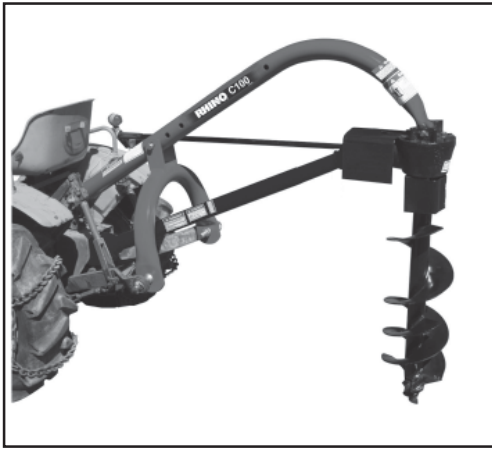


ILLUSTRATION A

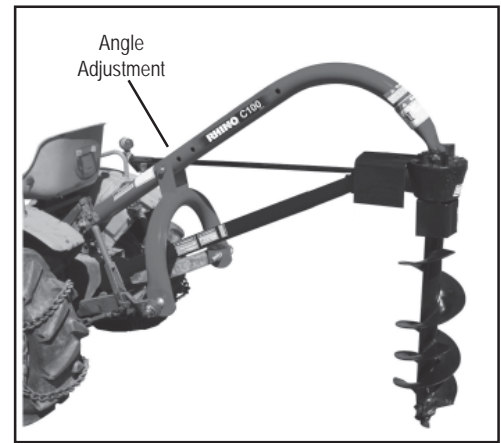


ILLUSTRATION B

## **OPERATING INSTRUCTIONS**



***WARNING:*** Read and thoroughly understand all instructions and safety information before operating this post hole digger. Failure to do so may cause serious injury or death. Do not allow anyone to operate this post hole digger who has not read this manual.

**STEP 1:** After mounting the digger to the tractor, lower the auger point slowly to the ground at the desired digging angle before engaging power.

**STEP 2:** Engage the power-take-off and start digging at a slow speed, lowering the auger slowly as it begins to dig.

**STEP 3:** Increase speed as the auger goes deeper. The type of soil will determine the proper auger speed. If the soil is extremely hard, it will generally improve operation to vary the speed of the auger at times. If an object is encountered which is too large for the auger to move, the digger will begin to vibrate. Withdraw the auger and remove the obstacle.

**STEP 4:** When the auger has reached the desired depth, spin it momentarily at a high speed to clear the hole of dirt. Reduce speed before withdrawing the auger from the hole.

**STEP 5:** Disengage the power-take-off after withdrawing from the hole and move the tractor to the next hole location.

## **GENERAL MAINTENANCE**

REFER TO ILLUSTRATION C



***WARNING:*** Always perform maintenance operations with the tractor engine off, the PTO drive disengaged and the auger point resting on the ground.

1. To remove the auger from the gear box output shaft, take out the two 1/2 in. x 3 in. hex cap screws (17).
2. To remove the driveshaft from the gear box input shaft, take out the shear pin bolt (14) and 1/4 in. set screw (13E).
3. To remove the auger control handle (8), loosen the 5/16 in. set screw in the side of the gear box (10).
4. Check the oil level after every fifty hours of use. Use 80W - 90WT lubricant and fill to oil level plug. All replacement lubricant should be of this type. Order 00724177 for 1 quart of 80W - 90WT gear oil.
5. The universal joints should be greased with a good grade chassis lube every week. At the beginning of each season, grease the sliding driveshaft members with a moly grease.



## C100 POST HOLE DIGGER PARTS BREAKDOWN

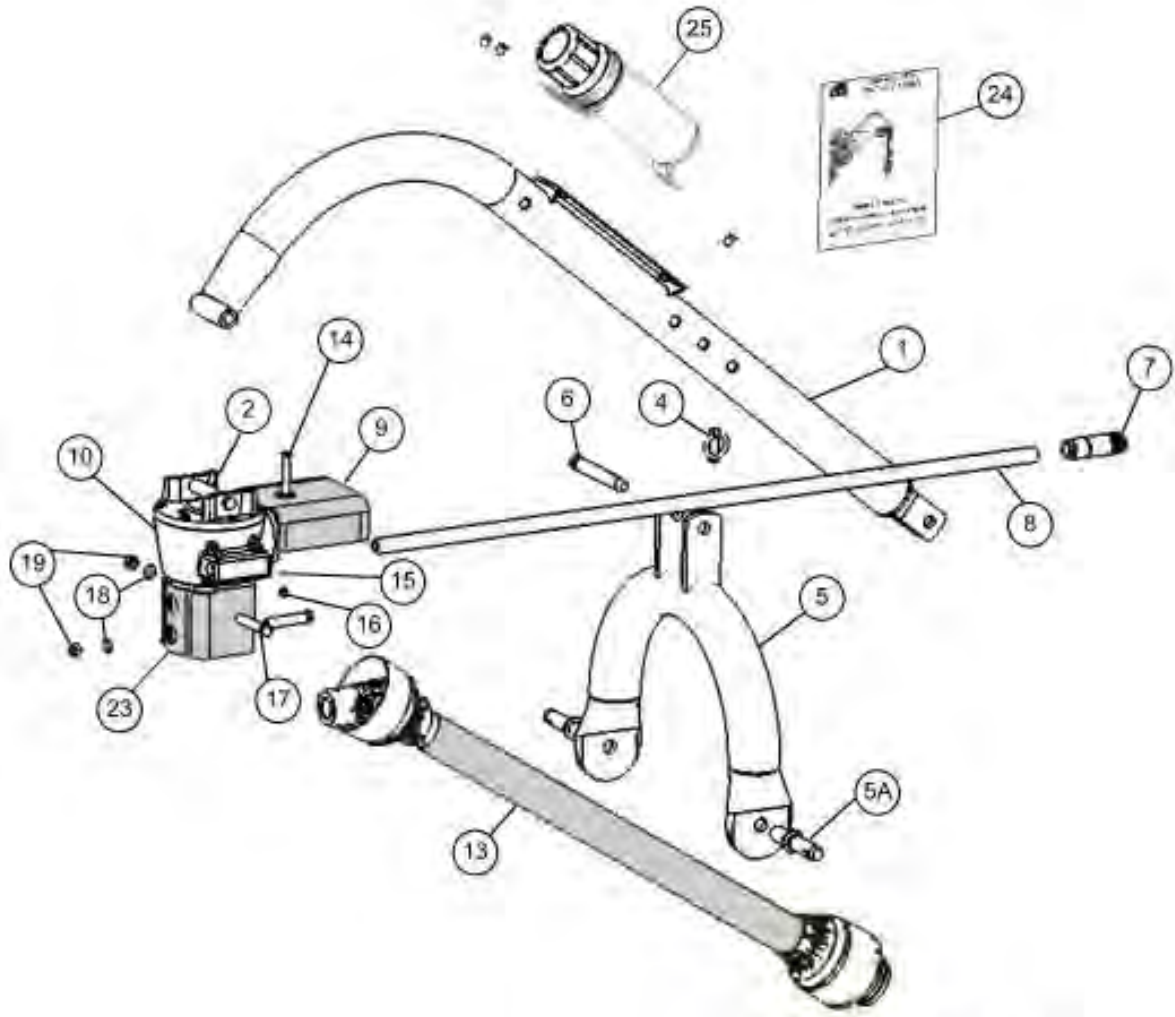
REFERENCE NUMBER	PART NUMBER	DESCRIPTION	NUMBER REQUIRED
	08000001	C100 Post Hole Digger less Auger	1
1	00785746	Boomwith Decals	1
2	00785753	Boom Pin	1
	O/L	3/16 in. Cotter Pin for Boom Pin	1
4	O/L	7/16 in. Lynch Pin	1
5	00785747	"A" Frame	1
5A	00603500	Hitch Pin with Nut & Lockwasher	2
6	00785750	Toplink Pin	1
7	00785748	Control Rod Handle Grip	1
8	00785749	Control Rod	1
9	00785751	Guard, Input Gearbox with Decals	1
10	00785744	Asy, Gearbox with Guards	1
10A	00785745	Gear Box Bearing & Seal Kit	-
13	00785743	Asy, Driveline - 1-3/8 - 6 Spline	1
13A	00785754	Guard Assembly	1
13B	00785755	Cross and Bearing Kit	2
13C	00785756	1-3/8 - 6 Spline Slide Collar Yoke	1
13D	00785757	Yoke, 1-1/4 in. Smooth Bore	1
13E	O/L	1/4 in. x 3/8 in. Pointed Set Screw	1
14	O/L	5/16 in. v 2-1/2 in. Hex Cap Screw (Grade 5 Shear Bolt)	1
15	O/L	5/16 in. Lockwasher	1
16	O/L	5/16 in. NC Hex Nut	1
17	O/L	1/2 in. NC x 3-1/2 in. Hex Cap Screw	2
18	O/L	1/2 in. Lockwasher	2
19	O/L	1/2 in. NC Hex Nut	2
23	00785752	Guard, Output Gearbox	1
24	00785762	Manual, Operators & Parts	1
25	00776031	Canister, Parts Manual	1

O/L - Obtain Locally. Common fasteners available through hardware and farm stores.

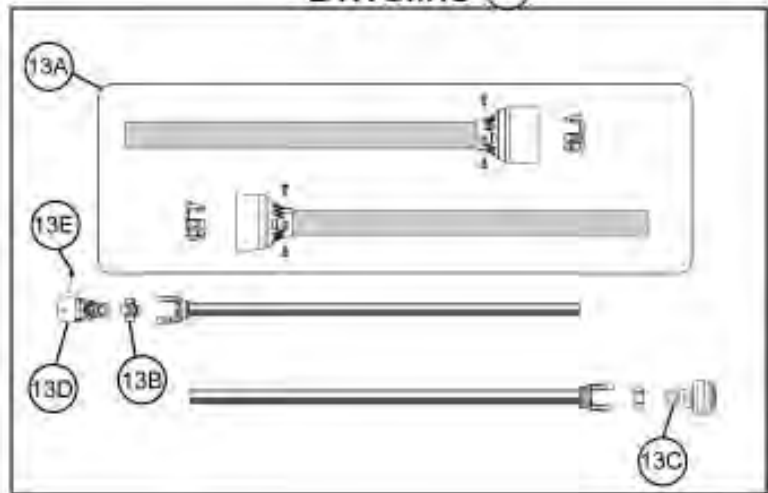
NOTE: All augers are sold separately.

# C100 POST HOLE DIGGER PARTS BREAKDOWN

ILLUSTRATION C

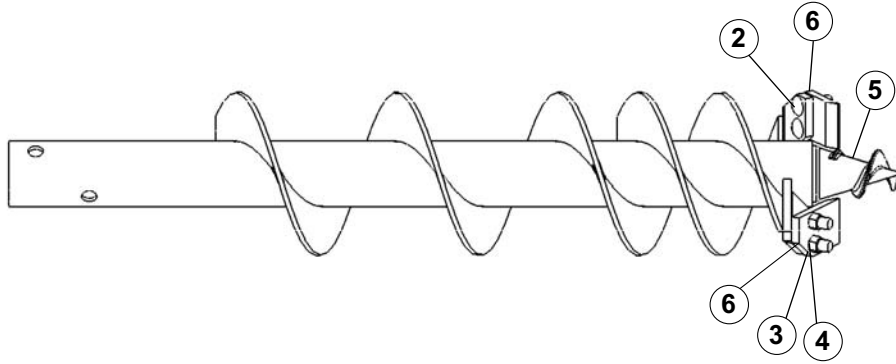


Driveline (13)



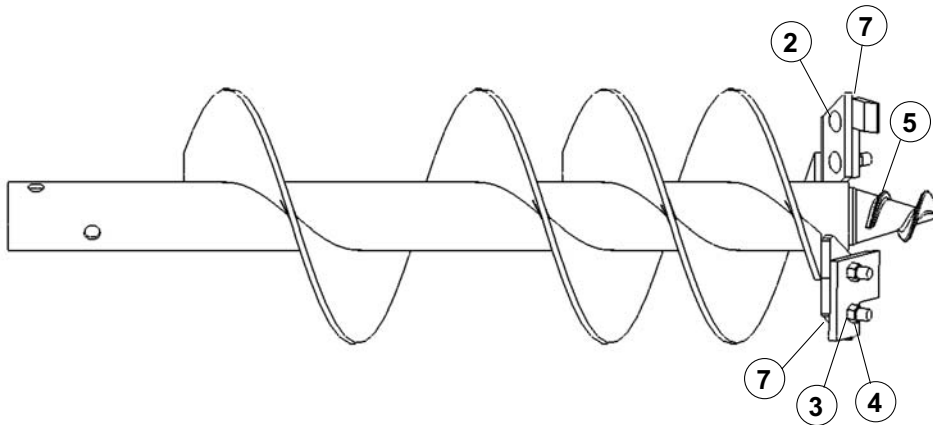
**NOTE:** Safety shields are shaded on this diagram. NEVER operate the digger with any shield missing.

# C100 Augers



REFERENCE NUMBER	PART NUMBER	DESCRIPTION	NUMBER REQUIRED
	00785765	6 in. Auger with Screw Point and Cutting Edges	1
2	O/L	3/8 in. NC x 1-1/4 Carriage Bolt	4
3	O/L	3/8 in. Lockwasher	4
4	O/L	3/8 in. NC Hex Nut	4
5	00785771	Screw Point with 1-1/4 in. NC Threads	1
6	00785768	6 in. Cutting Edge Set, Bag with 2 Cutting Edges	1

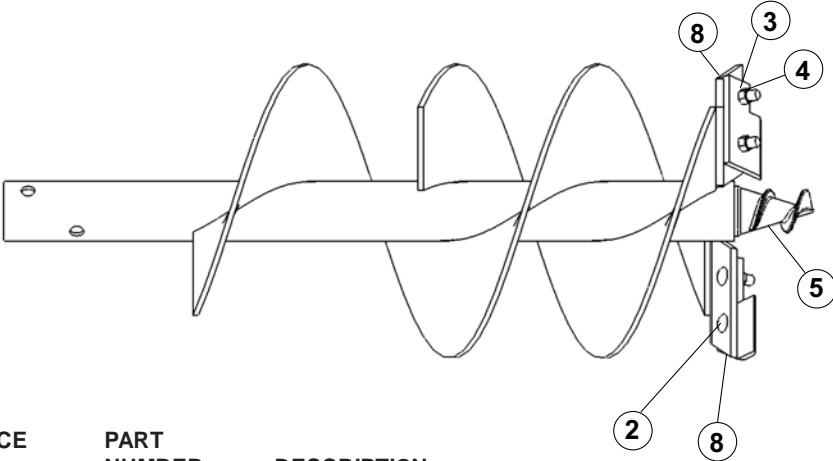
O/L- Obtain locally. Common fasteners available through hardware and farm stores



REFERENCE NUMBER	PART NUMBER	DESCRIPTION	NUMBER REQUIRED
	00785766	9 in. Auger with Screw Point and Cutting Edges	1
2	O/L	3/8 in. NC x 1-1/4 Carriage Bolt	4
3	O/L	3/8 in. Lockwasher	4
4	O/L	3/8 in. NC Hex Nut	4
5	00785771	Screw Point with 1-1/4 in. NC Threads	1
7	00785769	9 in. Cutting Edge Set, Bag with 2 Cutting Edges	1

O/L- Obtain locally. Common fasteners available through hardware and farm stores

# C100 Augers



REFERENCE NUMBER	PART NUMBER	DESCRIPTION	NUMBER REQUIRED
	00785767	12 in. Auger with Screw Point and Cutting Edges	1
2	O/L	3/8 in. NC x 1-1/4 Carriage Bolt	4
3	O/L	3/8 in. Lockwasher	4
4	O/L	3/8 in. NC Hex Nut	4
5	00785771	Screw Point with 1-1/4 in. NC Threads	1
8	00785770	12 in. Cutting Edge Set, Bag with 2 Cutting Edges	1

O/L- Obtain locally. Common fasteners available through hardware and farm stores

## OPTIONAL ACCESSORIES

### WEIGHT MOUNTING KIT

#### Assembly Instructions

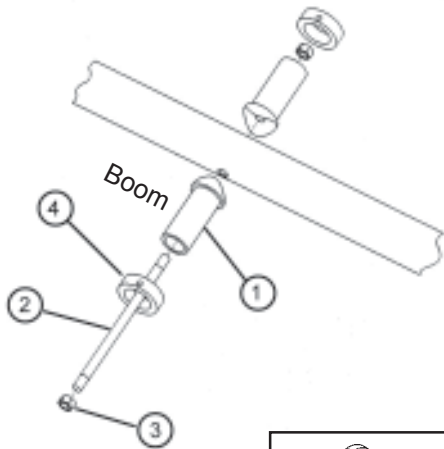


#### IMPORTANT SAFETY INFORMATION

***WARNING:*** Read and thoroughly understand all instructions and safety information before using this product. Failure to do so may cause serious injury or death. Always use appropriate personal protective equipment such as work gloves and safety shoes when using this product.

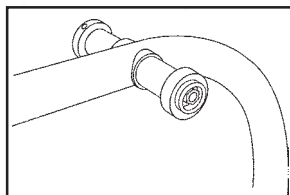
***CAUTION:*** Never use this product unless the weights are securely attached and locked down. Serious injury could result from falling weights.

- STEP 1: Remove the plugs from the digger boom.
- STEP 2: Place the threaded rod (2) through the hole.
- STEP 3: Attach a weight bar (1) on each side of the boom.
- STEP 4: Tighten the lock nuts (3) loosely.
- STEP 5: Adjust as required to level the weight bars.
- STEP 6: Tighten the nuts (3).
- STEP 7: Place the weights (purchased separately) on the bars (1).
- STEP 8: Lock in place with the collars (4). Then tighten the set screw in each collar securely.

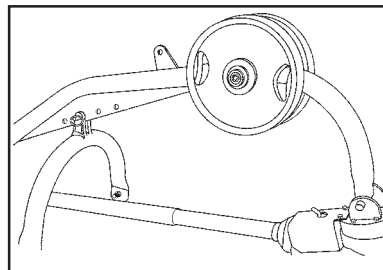


REFERENCE NUMBER	PART NUMBER	DESCRIPTION	NUMBER REQUIRED
	00785804	Weight Mount Kit	1
1	--	Weight Bar	2
2	--	Threaded Rod	1
3	--	5/8" UNC Bolt	2
4	--	Collar	2

-- Replacement Parts not available.



Weight Kit Attached to Boom



Weights Mounted on Digger Boom (not included). 2" diameter mounting hole required to fit weight bars.

# == NOTES ==

Model No. \_\_\_\_\_

Date of Purchase \_\_\_\_\_

Place of Purchase \_\_\_\_\_

---

---

---

## SPECIFICATIONS

Tractor Category	Subcompact, Category 0 and 1
Gear Box	3:1 Ratio, 2 in. output shaft to accept common augers
Driveline	Equipped with quick-tach yoke to fit standard 6-spline PTO (completely shielded)
Augers	6 in., 9 in. and 12 in. sizes available (sold separately)
Boom	2-7/8 in. O.D. high strength tubing
A-frame	2-7/8 in. high strength tubing
Safety shields	On driveline, gear box "U" joint and gear box output shaft
Shear Bolt	On input shaft to protect driveline, auger and gears. Replaceable.

## ORDERING INFORMATION

PART NUMBER	DESCRIPTION
08000001	C100 post hole digger less auger
00785765	6 in. auger with screw point and replaceable cutting edges
00785766	9 in. auger with screw point and replaceable cutting edges
00785767	12 in. auger with screw point and replaceable cutting edges
00785771	Screw point
00785768	6 in. cutting edge set
00785769	9 in. cutting edge set
00785770	12 in. cutting edge set
00785804	Optional Weight Kit for increased auger penetration. Weights sold separately.
00724177	Quart 80W - 90WT Gear Oil
00785745	Gear Box Bearing & Seal Kit



1020 S. Sangamon Ave.  
Gibson City, IL 60936  
800-446-5158  
Email: [parts@servis-rhino.com](mailto:parts@servis-rhino.com)