



MODEL S300 POST HOLE DIGGER



MANUAL, OPERATORS & PARTS



***THIS SAFETY ALERT SYMBOL IDENTIFIES IMPORTANT SAFETY MESSAGES IN THIS MANUAL.
FAILURE TO FOLLOW THIS IMPORTANT SAFETY INFORMATION MAY RESULT IN SERIOUS
INJURY OR DEATH.***

Table of Contents

	Page(s)
Important Safety Information	1-4
Intended Use	1
Personal Protective Equipment	1
Safety Decals	1-2
General Safety and Preparation	3
Operating Safety	3-4
Repair and Maintenance Safety	4
Assembly Instructions	5
General Maintenance	6
Operating Instructions	6
Parts List	7
Parts Breakdown Illustration	8
Auger Parts List and Breakdown	9-12
Optional Accessories	12-14
Auger Extensions	12
Hydraulic Down Force Kit	13-14
Weight Mounting Kit	15
Notes	16
Specifications	17
Ordering Information	17



IMPORTANT SAFETY INFORMATION



WARNING: Read and thoroughly understand all instructions and safety information before assembling or operating this post hole digger. Failure to do so may cause serious injury or death. Do not allow anyone to operate this post hole digger who has not read this manual. As with all power equipment a post hole digger can be dangerous if assembled or used improperly. Do not operate this post hole digger if you have doubts or questions concerning safe operation. Call our customer service department at 1-800-446-5158 to address these concerns.

Si no entiende ingles, se prefiere que busque alguien que interprete las instrucciones para usted.

INTENDED USE

This product is designed to dig holes in the soil when attached to the 3-point linkage system and power-take-off of a tractor. It is **not** intended for any other use. Using the product for anything other than digging holes could result in serious injury or death.

PERSONAL PROTECTIVE EQUIPMENT



ALWAYS use appropriate personal protective equipment such as protective eyewear and safety shoes when operating this post hole digger.

NEVER wear loose clothing or jewelry that could become entangled in the auger or driveline.

SAFETY DECALS

ALWAYS replace missing or defaced decals. Reorder from Rhino, 1020 S. Sangamon Ave., Gibson City, IL 60936 or call 1-800-446-5158.



LOCATION: FRONT OF GEAR BOX
ORDER DECAL KIT: 00785764



LOCATION: SIDE OF GEAR BOX
ORDER DECAL KIT: 00785764



IMPORTANT SAFETY INFORMATION

⚠ DANGER

TO PREVENT SERIOUS INJURY OR DEATH:
 Si no entiende inglés, se prefiere que busque a alguien que interprete las instrucciones para usted.

- Read and understand owner's manual before operating.
- Operate only from the tractor seat.
- Stay away from rotating parts. Keep others away.
- Do not dig around underground utility lines without checking with authorities.

PHDC3



**Rotating Parts Hazard
Keep Away**
 To Prevent Serious Injury or Death from Rotating Parts
 Si no entiende inglés, se prefiere que busque a alguien que interprete las instrucciones para usted.

- Read and understand owner's manual before operating.
- Do not operate without all shields and guards in place.
- Do not use body weight to force the auger into the ground or to locate auger point when auger is turning.
- Keep away from auger, cutting head and driveline when auger is running.

PHDC1

⚠ DANGER

TO PREVENT SERIOUS INJURY OR DEATH:

- Contact dealer, make sure your machine has all current safety guards and shields in place.
- Do not operate without all guards and shields in place.
- Do not operate when auger is higher than 12 inches above ground level. Doing so may cause driveline to bind, resulting in equipment damage or operator injury.
- Stop auger rotation before maneuvering, relocating or transporting.

PHDC3

⚠ DANGER

Do not attach this implement or attempt to operate until you have read and understood all instructions in the owner's manual. If an owner's manual is not available contact:

Rhino
 1020 S. Sangamon Ave.
 Gibson City, IL 60936
 Phone: 800-446-5158

PHDC4

LOCATION: BOOM
ORDER DECAL KIT: 00785773

⚠ DANGER

TO PREVENT SERIOUS INJURY OR DEATH:
 Si no entiende inglés, se prefiere que busque a alguien que interprete las instrucciones para usted.

- Read and understand owner's manual before operating.
- Operate only from the tractor seat.
- Stay away from rotating parts. Keep others away.
- Do not dig around underground utility lines without checking with authorities.

PHDC3



**ROTATING DRIVELINE CONTACT CAN CAUSE DEATH
KEEP AWAY!**

DO NOT OPERATE WITHOUT -

- All driveline guards, tractor and equipment shields in place
- Drivelines securely attached at both ends
- Driveline guards that turn freely on driveline

M208 01

⚠ DANGER

TO PREVENT SERIOUS INJURY OR DEATH:

- Contact dealer, make sure your machine has all current safety guards and shields in place.
- Do not operate without all guards and shields in place.
- Do not operate when auger is higher than 12 inches above ground level. Doing so may cause driveline to bind, resulting in equipment damage or operator injury.
- Stop auger rotation before maneuvering, relocating or transporting.

PHDC3

NOTICE

**540 RPM Maximum
PTO Operating Speed**

52011808

LOCATION: PTO DRIVE SHAFT SHIELD
ORDER DECAL KIT: 00785764

⚠ DANGER

**GUARD MISSING
DO NOT OPERATE**

⚠ DANGER

**GUARD MISSING
DO NOT OPERATE**

52044100

⚠ DANGER

LOCATION: PTO DRIVE SHAFT UNDER SHIELD
ORDER DECAL KIT: 00785764

NOTE: IF THE DRIVE SHAFT GUARD MENTIONED IN THE ABOVE DECAL IS MISSING, YOU MUST ORDER A REPLACEMENT BY CALLING RHINO AT 1-800-446-5158.

⚠ DANGER

Do not attach this implement or attempt to operate until you have read and understood all instructions in the owner's manual. If an owner's manual is not available contact:

Rhino
 1020 S. Sangamon Ave.
 Gibson City, IL 60936
 Phone: 800-446-5158

PHDC4

LOCATION: TOP END OF BOOM ON GEAR BOX END
ORDER DECAL KIT: 00785773



IMPORTANT SAFETY INFORMATION

GENERAL SAFETY AND PREPARATION

ALWAYS make sure that anyone else who operates this post hole digger has read and understood the contents of the owner's manual and all safety decals on the product.

ALWAYS be certain that all members of the work party are familiar with the operation of the digger and the hazards associated with it.

ALWAYS check with authorities for underground utilities before digging a hole. Serious injury or death could result from contact with gas or electric lines.

ALWAYS check the tractor owner's manual for instructions on operation, attachment of 3-point equipment and safety.

ALWAYS make sure that all safety shields are in place and tightened down. Do not operate this post hole digger if any shields are missing. Contact Rhino at 1-800-446-5158 for replacement part(s).

ALWAYS make sure that the auger point and cutting edges are intact and in good working order before using this digger.

NEVER allow children or other persons to ride on the Tractor or Implement. Falling off can result in serious injury or death.

NEVER allow children to play on or around Tractor or Implement. Children can slip or fall off the Equipment and be injured or killed. Children can cause the Implement to shift or fall crushing themselves or others.



IMPORTANT SAFETY INFORMATION

OPERATING SAFETY

ALWAYS operate this post hole digger from the tractor seat. Only one person should operate the digger.

NEVER attach the post hole digger with the tractor engine running.

NEVER operate the post hole digger with anyone near or in contact with any part of the implement, PTO driveline or auger. Serious injury or death could result from entanglement with moving parts.

ALWAYS make sure that the tractor brake is set before digging a hole.

ALWAYS keep hands, feet and clothing away from power-driven parts during operation.

NEVER manually position the auger or manually force the auger into the ground.

ALWAYS make sure that the tractor engine is shut off and the PTO drive is disengaged before leaving the tractor seat.

NEVER move the tractor with the power-take-off in the ON position.

NEVER exceed 540 RPM PTO operating speed.

NEVER operate the post hole digger when the auger point is more than 6 in. above ground level. Operating the digger in elevated positions may cause the PTO driveline "U" joints to bind resulting in equipment damage and operator injury.

ALWAYS turn off the digger immediately if an immovable object is encountered to prevent damage to the gear box or driveshaft and possible injury. A shear bolt is provided but may become welded to the input shaft if the driveshaft is left running after being sheared.

REPAIR AND MAINTENANCE SAFETY

ALWAYS perform maintenance operations such as lubrication, adjustments or repairs on the post hole digger with the tractor engine off, the PTO drive disengaged and the auger point resting on the ground.

ALWAYS use the correct shear bolt (Grade 5). **NEVER** use or replace the shear bolt with one that is longer than the one specified in the manual (3/8" x 3").

Periodically inspect all moving parts for wear and replace when necessary with authorized service parts. Look for loose fasteners, worn or broken parts, and leaky or loose fittings. Serious injury may occur from not maintaining this machine in good working order.

Do not modify or alter this Implement. Do not permit another to modify or alter this Implement, any of its components or any Implement function. Any modification will void the warranty.

ASSEMBLY INSTRUCTIONS

REFER TO ILLUSTRATION C

- IMPORTANT:** The gear box is shipped without lubricant. Fill the top hole with 80W - 90WT lubricant or the equivalent. Approximately 1.75 quarts of the lubricant is enough to lubricate the gears and bearings. A greater amount will not harm the gear box. Do not fill to overflow point as this may damage the seals.
- NOTE:** Order part number 00724177 for 1 quart of 80W - 90WT gear oil.
- STEP 1:** Be certain that the gear box has adequate lubrication. Check the oil level after every fifty hours of use.
- STEP 2:** Attach the boom (1) to the top link mounting bracket on the tractor using a top link pin and a lynch pin (not provided) through the swivel ball at the bottom of the boom. The ball accepts either category 1 or 2 pins.
- STEP 3:** Connect the "A" frame (5) to the tractor's 3-point lift arms using the 7/8 in. hitch pins with nut and lockwasher (7) as shown in the drawing. Attach the "A" frame (5) to the boom (1) after selecting the desired hole (for angle adjustment) using the Toplink pin (6) and lynch pin (4).
- STEP 4:** Attach the gear box (10) to the boom (1) using the boom pin (2) supplied with the gear box. When in place secure with the cotter pins (3) provided.
- NOTE:** Input shaft shield (9) and output shaft shield (8) are already attached to the gear box.
- STEP 5:** Attach the auger to the output shaft on the bottom of the gear box (10) using the 1/2 in. hex cap screws (15), 1/2 in. lockwashers (16) and 1/2 in. hex nuts (17). Tighten the nuts.
- STEP 6:** Attach the driveline (11) to the gear box input shaft using the 3/8 in. grade 5 hex cap screw (12), the 3/8 in. lockwasher (13) and the 3/8 in. NC hex nut (14). Tighten the hex nut. Insert the 1/4 in. x 3/8 in. set screw (22) in the hole on the yoke that aligns with the 3/16 in. groove on the gear box input shaft. Tighten loosely.
- ATTENTION:** THE 3/8 IN. HEX CAP SCREW PROVIDES SHEAR PROTECTION. USE A GRADE 5 3 IN. BOLT ONLY TO AVOID DAMAGE TO THE GEAR BOX OR AUGER.
- IMPORTANT:** The universal joint should be greased with a good grade chassis lube every week. At the beginning of each season grease the sliding driveshaft members with a moly grease. All diggers are equipped with quick-detach universal joints on the power-take-off end for a 1-3/8 in. splined shaft.
- STEP 7:** Attach the tractor end of the driveline (11) to the tractor PTO shaft. Slide the collar away from the tractor, slide the yoke onto the PTO shaft of the tractor. Release the collar. It will be necessary to obtain a 1-1/8 in. to 1-3/8 in. sleeve spline adapter if your tractor PTO shaft has a 1-1/8 in. spline.
- STEP 8:** Check all nuts and bolts for tightness. Stabilizers should be kept tight to avoid side sway of the digger.
- NOTE:** See illustration A for reference in assembling the digger and mounting it to the tractor. Note that the boom angle can be adjusted on your tractor for proper digging and ground clearance by moving the "A" frame to a different mounting hole as shown in illustration B.
- NOTE:** When the 7/8 in. diameter hitch pins in the "A" frame are too small for the holes in the lift arms, bushings should be used to obtain a proper fit.



ILLUSTRATION A

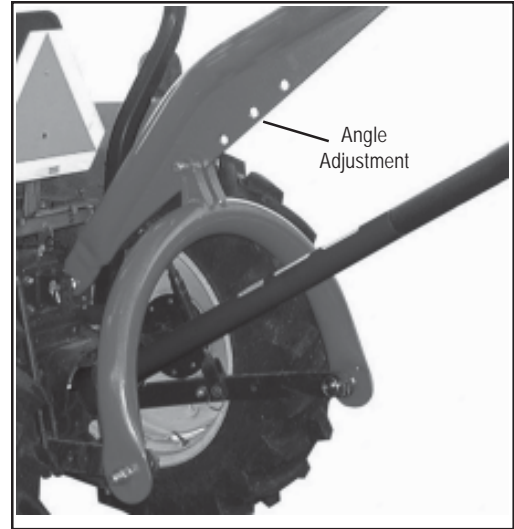


ILLUSTRATION B

OPERATING INSTRUCTIONS



WARNING: Read and thoroughly understand all instructions and safety information before operating this post hole digger. Failure to do so may cause serious injury or death. Do not allow anyone to operate this post hole digger who has not read this manual.

STEP 1: After mounting the digger to the tractor, lower the auger point slowly to the ground at the desired digging angle before engaging power.

STEP 2: Engage the power-take-off and start digging at a slow speed, lowering the auger slowly as it begins to dig.

STEP 3: Increase speed as the auger goes deeper. The type of soil will determine the proper auger speed. If the soil is extremely hard, it will generally improve operation to vary the speed of the auger at times. If an object is encountered which is too large for the auger to move, the digger will begin to vibrate. Withdraw the auger and remove the obstacle.

STEP 4: When the auger has reached the desired depth, spin it momentarily at a high speed to clear the hole of dirt. Reduce speed before withdrawing the auger from the hole.

STEP 5: Disengage the power-take-off after withdrawing from the hole and move the tractor to the next hole location.

GENERAL MAINTENANCE

REFER TO ILLUSTRATION C



WARNING: Always perform maintenance operations with the tractor engine off, the PTO drive disengaged and the auger point resting on the ground.

1. To remove the auger from the gear box output shaft, take out the two 1/2 in. x 3-1/2 in. hex cap screws (15).
2. To remove the driveshaft from the gear box input shaft, take out the shear pin bolt (12) and 1/4 in. set screw (24).
3. Check the oil level after every fifty hours of use. Use 80W - 90WT lubricant and fill to oil level plug. All replacement lubricant should be of this type. Order 00724177 for 1 quart of replacement oil, gear box requires approximately 1.75 quarts.
4. The universal joints should be greased with a good grade chassis lube every week. At the beginning of each season, grease the sliding driveshaft members with a moly grease.

S300 POST HOLE DIGGER PARTS BREAKDOWN

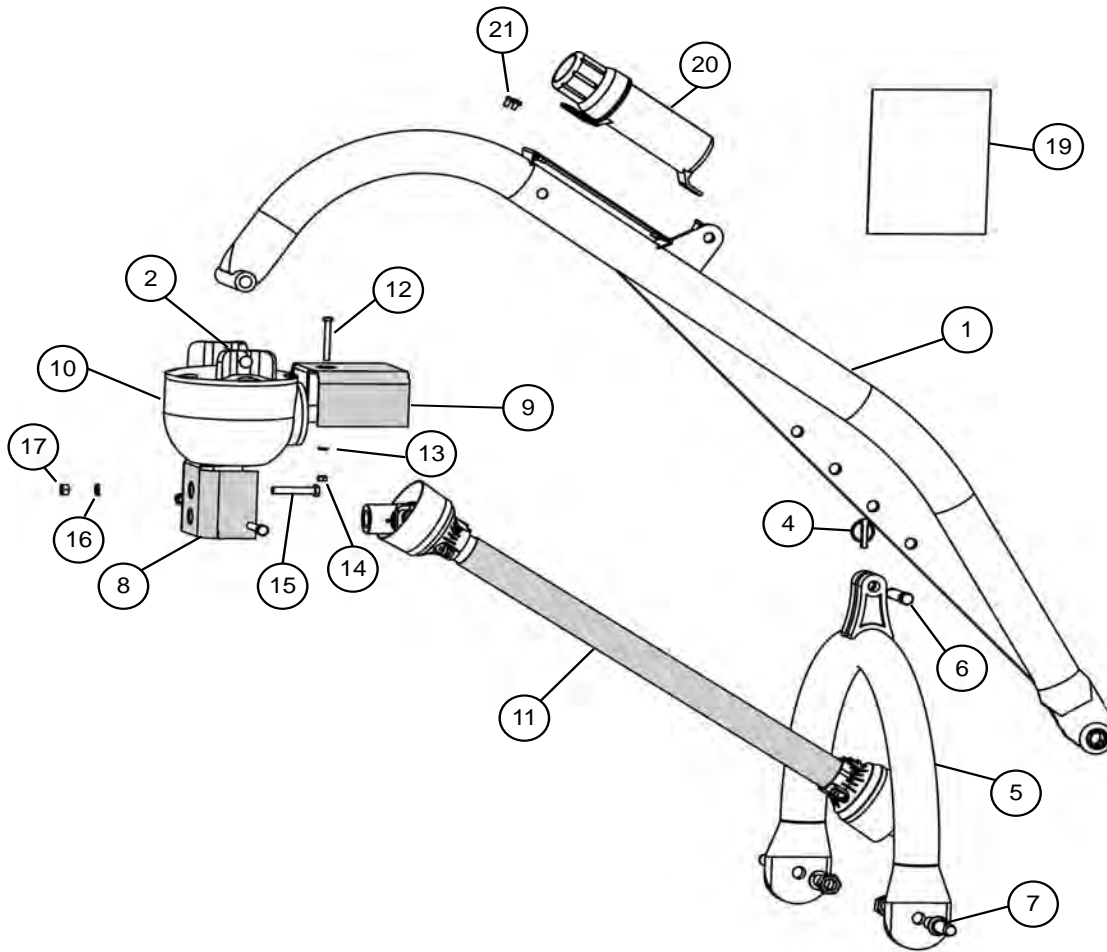
REFERENCE NUMBER	PART NUMBER	DESCRIPTION	NUMBER REQUIRED
	08000003	S300 Post Hole Digger less Auger	1
1	00785775	Boom with Decals	1
2	00785782	Boom Pin	1
3	*O/L	Cotter Pin for Boom Pin	2
4	*O/L	7/16 in. Lynch Pin	1
5	00785774	"A" Frame	1
6	00785779	Toplink Pin	1
7	00603500	7/8 in. Hitch Pin with Nut and Lockwasher	2
8	00785781	Guard, Output Gear Box	1
9	00785780	Guard, Input Gear Box with Decals	1
10	00785776	Gear Box with Guards	1
11	00785777	Driveline with Plastic Shield	1
11A	00785784	Driveline Guard Assembly	1
11B	00785785	Slide Collar Yoke Assembly	1
11C	00785786	Gear Box Yoke	1
11D	00785787	Cross & Bearing Kit	1
12	*O/L	3/8 in. x 3 in. Hex Cap Screw(Grade 5 Shear Bolt)	1
13	*O/L	3/8 in. Lockwasher	1
14	*O/L	3/8 in. NC Hex Nut	1
15	*O/L	1/2 in. NC x 3 in. Hex Cap Screw	2
16	*O/L	1/2 in. Lockwasher	2
17	*O/L	1/2 in. NC Hex Nut	2
18	*O/L	1/4 in. x 3/8 in. Pointed Set Screw	1
19	00785778	Manual, Operators & Parts	1
20	00776031	Canister, Parts Manual	1
21	*O/L	5/16 in. x 1 in. Bolt	3

O/L- Obtain locally. Common fasteners available through hardware and farm stores.

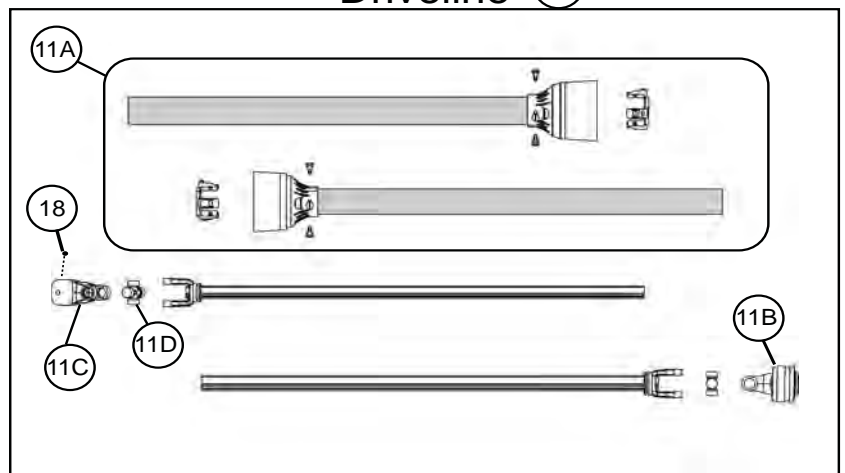
NOTE: All augers are sold separately.

S300 POST HOLE DIGGER

ILLUSTRATION C

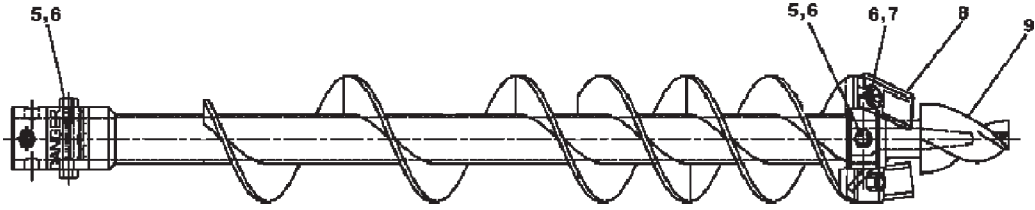


Driveline 11

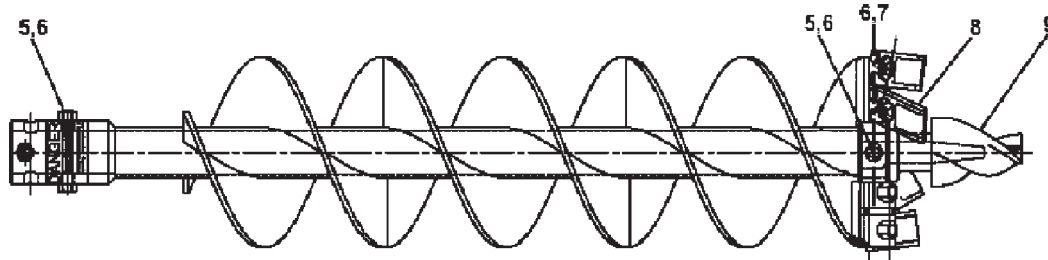


NOTE: Safety shields are shaded on this diagram. NEVER operate the digger with any shield missing.

S300 AUGERS

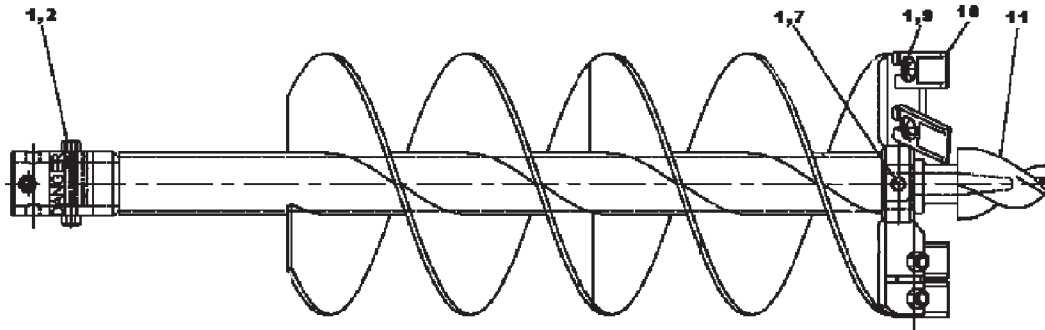


REFERENCE NUMBER	PART NUMBER	DESCRIPTION	NUMBER REQUIRED
	00780367	Assy, Auger 6"	-
5	00999418	HHCS 1/2-13 UNC 3-1/2 PL5	3
6	00001800	Locknut TLM 1/2 NC PLB	5
7	02886900	Carriage Bolt 1/2-13 UNC 1-1/2 PL5	2
8	00780374	Tooth, Auger (40/50) Aggressor	2
	00780401	Hard Surface Tooth (Not Shown)	2
	00780460	Carbide Tooth (Not Shown)	2
9	00780373	Bit, Pilot (TF-350)	1
	00780402	Hard Surface Bit, Pilot (Not Shown)	1
	00780461	Carbide Tooth Pilot Bit (Not Shown)	1

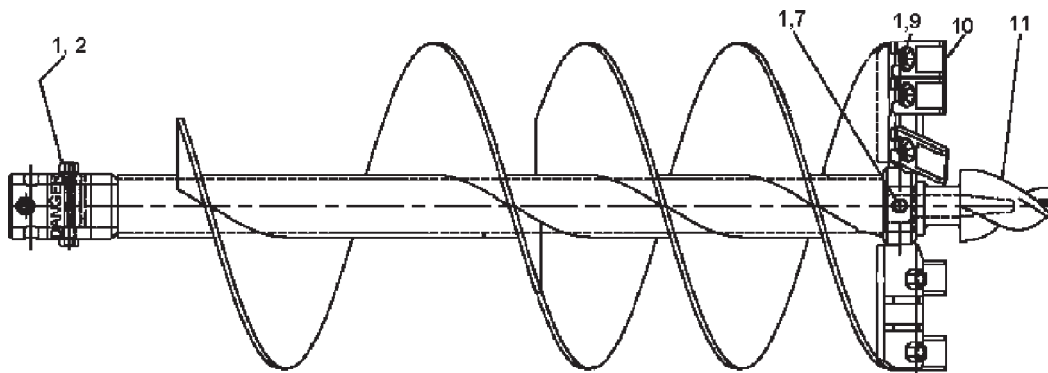


REFERENCE NUMBER	PART NUMBER	DESCRIPTION	NUMBER REQUIRED
	00780368	Assy, Auger 9"	-
5	00999418	HHCS 1/2-13 UNC 3-1/2 PL5	3
6	00001800	Locknut TLM 1/2 NC PLB	7
7	02886900	Carriage Bolt 1/2-13 UNC 1-1/2 PL5	4
8	00780374	Tooth, Auger (40/50) Aggressor	4
	00780401	Hard Surface Tooth (Not Shown)	4
	00780460	Carbide Tooth (Not Shown)	4
9	00780373	Bit, Pilot (TF-350)	1
	00780402	Hard Surface Bit, Pilot (Not Shown)	1
	00780461	Carbide Tooth Pilot Bit (Not Shown)	1

S300 AUGERS

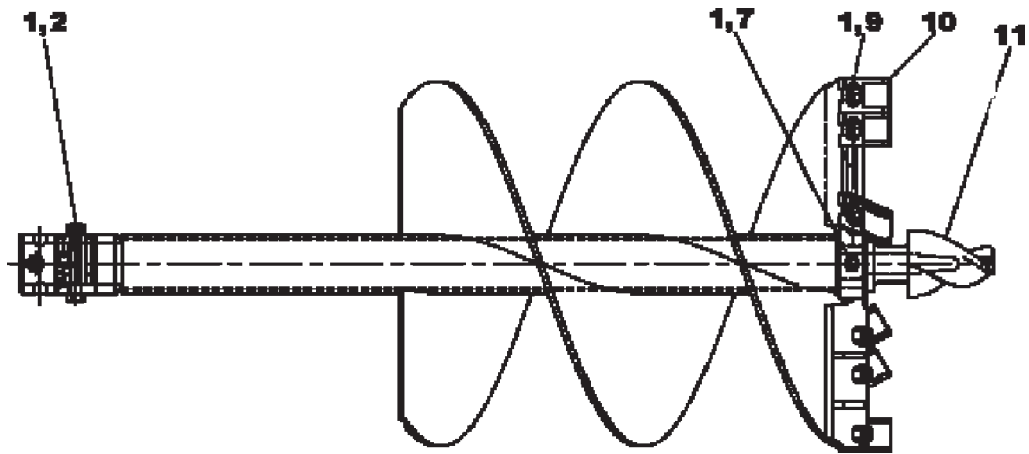


REFERENCE NUMBER	PART NUMBER	DESCRIPTION	NUMBER REQUIRED
	00780369	Assy, Auger 12"	-
1	00001800	Locknut TLM 1/2 NC PLB	7
2	00999418	HHCS 1/2-13 UNC 3-1/2 PL5	2
7	00752680	HHCS 1/2-13 UNC x 4LG PL5	1
9	02886900	Carriage Bolt 1/2-13 UNC 1-1/2 PL5	4
10	00780374	Tooth, Auger (40/50) Aggressor	4
	00780401	Hard Surface Tooth (Not Shown)	4
	00780460	Carbide Tooth (Not Shown)	4
11	00780373	Bit, Pilot (TF-350)	1
	00780402	Hard Surface Bit, Pilot (Not Shown)	1
	00780461	Carbide Tooth Pilot Bit (Not Shown)	1



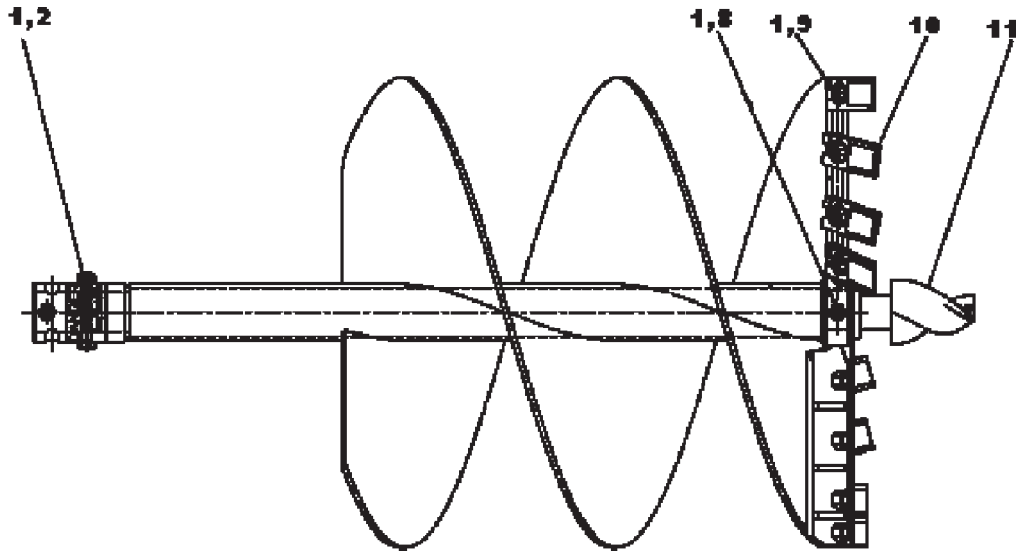
REFERENCE NUMBER	PART NUMBER	DESCRIPTION	NUMBER REQUIRED
	00780370	Assy, Auger 15"	-
1	00001800	Locknut TLM 1/2 NC PLB	8
2	00999418	HHCS 1/2-13 UNC 3-1/2 PL5	2
7	00752680	HHCS 1/2-13 UNC x 4LG PL5	1
9	02886900	Carriage Bolt 1/2-13 UNC 1-1/2 PL5	5
10	00780374	Tooth, Auger (40/50) Aggressor	5
	00780401	Hard Surface Tooth (Not Shown)	5
	00780460	Carbide Tooth (Not Shown)	5
11	00780373	Bit, Pilot (TF-350)	1
	00780402	Hard Surface Bit, Pilot (Not Shown)	1
	00780461	Carbide Tooth Pilot Bit (Not Shown)	1

S300 AUGERS



REFERENCE NUMBER	PART NUMBER	DESCRIPTION	NUMBER REQUIRED
	00780371	Assy, Auger 18"	-
1	00001800	Locknut TLM 1/2 NC PLB	9
2	00999418	HHCS 1/2-13 UNC 3-1/2 PL5	2
7	00752680	HHCS 1/2-13 UNC x 4LG PL5	1
9	02886900	Carriage Bolt 1/2-13 UNC 1-1/2 PL5	6
10	00780374	Tooth, Auger (40/50) Aggressor	6
	00780401	Hard Surface Tooth (Not Shown)	6
	00780460	Carbide Tooth (Not Shown)	6
11	00780373	Bit, Pilot (TF-350)	1
	00780402	Hard Surface Bit, Pilot (Not Shown)	1
	00780461	Carbide Tooth Pilot Bit (Not Shown)	1

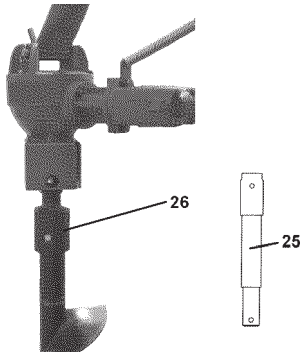
S300 AUGERS



REFERENCE NUMBER	PART NUMBER	DESCRIPTION	NUMBER REQUIRED
	00780372	Assy, Auger 24"	-
1	00001800	Locknut TLM 1/2 NC PLB	11
2	00999418	HHCS 1/2-13 UNC 3-1/2 PL5	2
7	00752680	HHCS 1/2-13 UNC x 4LG PL5	1
9	02886900	Carriage Bolt 1/2-13 UNC 1-1/2 PL5	8
10	00780374	Tooth, Auger (40/50) Aggressor	8
	00780401	Hard Surface Tooth (Not Shown)	8
	00780460	Carbide Tooth (Not Shown)	8
11	00780373	Bit, Pilot (TF-350)	1
	00780402	Hard Surface Bit, Pilot (Not Shown)	1
	00780461	Carbide Tooth Pilot Bit (Not Shown)	1

OPTIONAL ACCESSORIES

AUGER EXTENSIONS



REFERENCE NUMBER	PART NUMBER	DESCRIPTION
25	01100740	7" Auger Extension
	01100760	14" Auger Extension
26	00768123	Plastic Extension Shield

OPTIONAL ACCESSORIES

HYDRAULIC DOWN FORCE KIT

Assembly and Operating Instructions



IMPORTANT SAFETY INFORMATION

WARNING: Read and thoroughly understand all instructions and safety information before using this product. Failure to do so may result in serious injury or death. Always use appropriate personal protective equipment such as work gloves, eye protection and safety shoes when using this product. Review all safety information and warnings in your post hole digger owner's manual. Be careful of pinch points between the digger and A-frame and the side plates. On light tractors, caution should be used to avoid lifting the back of the tractor. Only operate the post hole digger from the tractor seat. Do not allow people to be nearby when operating the digger and down force assembly.

ASSEMBLY INSTRUCTIONS

- STEP 1: Mount the relief valve (7) to the hydraulic cylinder (5) using the 3/8" x 1/2" NPT nipple (6). It is recommended that a thread sealant be used on the threads.
- STEP 2: Mount the hydraulic cylinder (5) to the tab on the boom using the 3/4" x 2" bolt (10) and 3/4" lock nut (11).
- STEP 3: Replace the pin holding the A-frame to the boom with the supplied 3/4" x 6" bolt (9). Mount the side plates (1 & 2) as shown in the diagram using the small bushing (4) and 3/4" lock nut (11). Make sure the spacers are placed correctly.
- STEP 4: Place the 3/4" x 6" bolt (9) and large bushing (3) in the middle hole of the plates shown in Illustration A.
- STEP 5: Mount the cylinder (5) into appropriate hole in the top of the side plates using 3/4" x 6" bolt (9) and small spacer bushing (4). NOTE: The range of holes on the top of the plates allows for adjustment for different tractors and different mounting holes in the boom. You may need to experiment to see which hole gives you the best range of motion with the down force kit.
- STEP 6: Tighten all the lock nuts (11) after final adjustment. Do not over tighten the top and bottom bolts to allow rotation.
- STEP 7: Connect the hydraulic hoses (8) to the relief valve (7). It is recommended that a thread sealant be used on the threads.
- STEP 8: Connect the hydraulic hoses (8) to the tractor as shown in Illustration B.

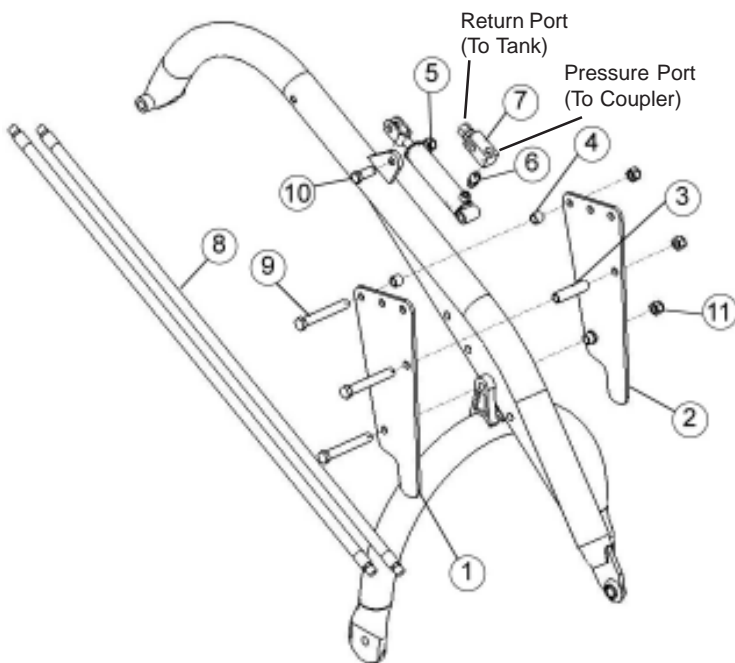


Illustration A

REFERENCE NUMBER	PART NUMBER	DESCRIPTION	NUMBER REQUIRED
	00785810	Hydraulic Downforce Kit	1
1	00785811	Left Side Plate	1
2	00785812	Right Side Plate	1
3	00785813	Large Downforce Bushing	1
4	00785814	Small Bushing	2
5	00785815	Asy, Hydraulic Cylinder 2 x 8	1
6	00785816	3/8x1/2 NPT Nipple	1
7	00785817	Valve, Hydraulic Relief	1
8	00785818	Asy, Hydraulic Hose - 60" LG.	2
9	O/L	3/4"x 6" UNC Bolt	3
10	O/L	3/4"x 2" Bolt	1
11	O/L	3/4" Lock Nut	4
	00785820	Seal Kit	1

O/L - Obtain locally. Common fasteners available through hardware and farm stores.

OPTIONAL ACCESSORIES

HYDRAULIC DOWN FORCE KIT

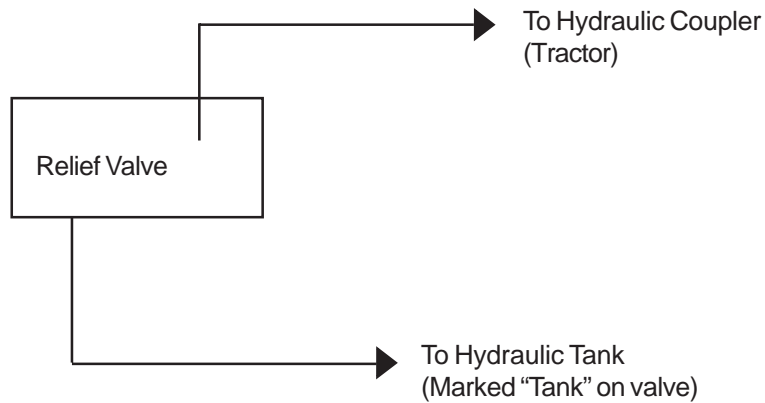


Illustration B

OPERATING INSTRUCTIONS

- STEP 1:** The cylinder is a single acting cylinder and must be plumbed correctly into the tractor hydraulic system to avoid damage and possible injury.
- STEP 2:** It is recommended that the post hole digger be used without the down force kit in normal digging conditions. Down force assembly should only be used when difficult digging is encountered and only the force required should be used.
- STEP 3:** When difficult digging is encountered, slowly engage the hydraulic down force assembly. Care should be used to only use the force required to slowly dig to avoid damage to the auger and cutting edges.
- STEP 4:** When digging is complete, raise the auger using the 3-point controls. Hydraulic cylinder with retract.

OPTIONAL ACCESSORIES

WEIGHT MOUNTING KIT

Assembly Instructions

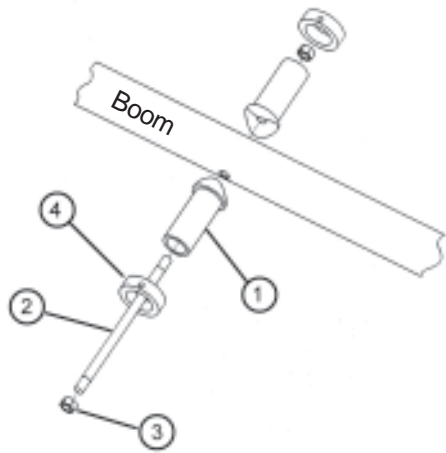


IMPORTANT SAFETY INFORMATION

WARNING: Read and thoroughly understand all instructions and safety information before using this product. Failure to do so may cause serious injury or death. Always use appropriate personal protective equipment such as work gloves and safety shoes when using this product.

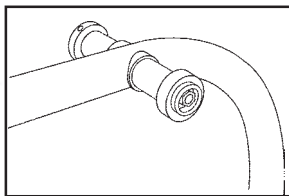
CAUTION: Never use this product unless the weights are securely attached and locked down. Serious injury could result from falling weights.

- STEP 1: Remove the plugs from the digger boom.
- STEP 2: Place the threaded rod (2) through the hole.
- STEP 3: Attach a weight bar (1) on each side of the boom.
- STEP 4: Tighten the lock nuts (3) loosely.
- STEP 5: Adjust as required to level the weight bars.
- STEP 6: Tighten the nuts (3).
- STEP 7: Place the weights (purchased separately) on the bars (1).
- STEP 8: Lock in place with the collars (4). Then tighten the set screw in each collar securely.

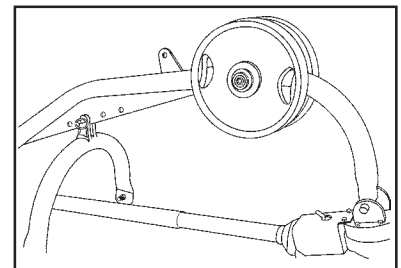


REFERENCE NUMBER	PART NUMBER	DESCRIPTION	NUMBER REQUIRED
	00785804	Weight Mount Kit	1
1	--	Weight Bar	2
2	--	Threaded Rod	1
3	--	5/8" UNC Bolt	2
4	--	Collar	2

-- Replacement Parts not available.



Weight Kit Attached to Boom



Weights Mounted on Digger Boom (not included). 2" diameter mounting hole required to fit weight bars.

== NOTES ==

Model No. _____

Date of Purchase _____

Place of Purchase _____

SPECIFICATIONS

Tractor Category	Category 1 and Category 2
Gear Box	Special alloy pinion gears and tapered roller bearings on both sides of each gear
Driveline	Equipped with quick-tach yoke to fit standard 6-spline PTO (completely shielded)
Boom	3-1/4 in. in. O.D. high strength tubing with tapered rib and multiple holes for height adjustment
A-frame	3-1/4 in. high strength tubing
Safety shields	On driveline, gear box "U" joint and gear box output shaft
Shear Bolt	Replaceable. On input shaft to protect driveline, auger and gears.
Options	Hydraulic down force kit and weight mounting kit

ORDERING INFORMATION

PART NO.	DESCRIPTION
08000003	S300 post hole digger less auger
00780367	6" Auger Assembly
00780368	9" Auger Assembly
00780369	12" Auger Assembly
00780370	15" Auger Assembly
00780371	18" Auger Assembly
00780372	24" Auger Assembly
01100740	7" Auger Extension
01100760	14" Auger Extension
00768123	Plastic Extension Shield
00785804	Weight Mount Kit
00785810	Hydraulic down force kit
00785745	Gear Box Bearing & Seal Kit
00724177	Quart of 80W - 90 WT Gear Oil



1020 S. Sangamon Ave.
Gibson City, IL 60936
800-446-5158
Email: parts@servis-rhino.com