



35/50/70 Series

REAR BLADE

Published 04/14

Part No. 00789001C

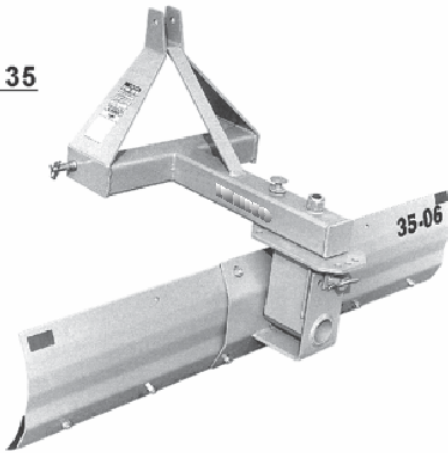
OPERATOR'S & PARTS MANUAL



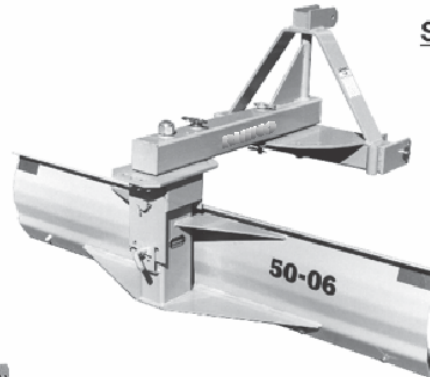
This Operator's Manual is an integral part of the safe operation of this machine and must be maintained with the unit at all times. READ, UNDERSTAND, and FOLLOW the Safety and Operation Instructions contained in this manual before operating the equipment. *C01-Cover*

FC-BL-0017

Series 35



Series 50



Series 70



RHINO[®]

1020 S. Sangamon Ave.

Gibson City, IL 60936

800-446-5158

Email: parts@servis-rhino.com

Rhino Web Page



www.alqqr.com/rwe

¡ATENCIÓN!
LEA EL INSTRUCTIVO



Si No Lee Ingles, Pida
Ayuda a Alguien
Que Se Lo Lea Para Que le
Traduzca Las
Medidas de Seguridad

**MEMBER OF THE
ALAMO GROUP**
ALWAYS ON THE CUTTING EDGE[®]

© 2014 Alamo Group Inc.

\$0.00

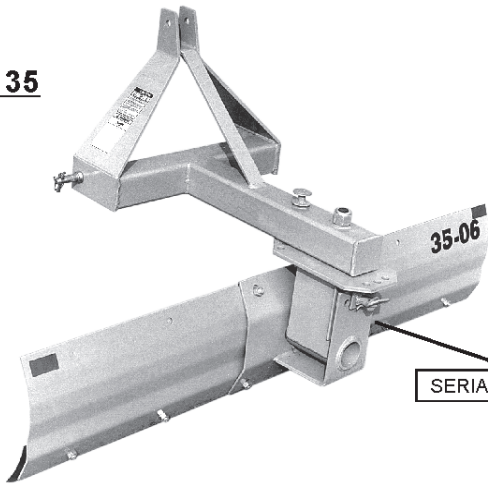
To the Owner/Operator/Dealer

All implements with moving parts are potentially hazardous. There is no substitute for a cautious, safe-minded operator who recognizes the potential hazards and follows reasonable safety practices. The manufacturer has designed this implement to be used with all its safety equipment properly attached to minimize the chance of accidents.

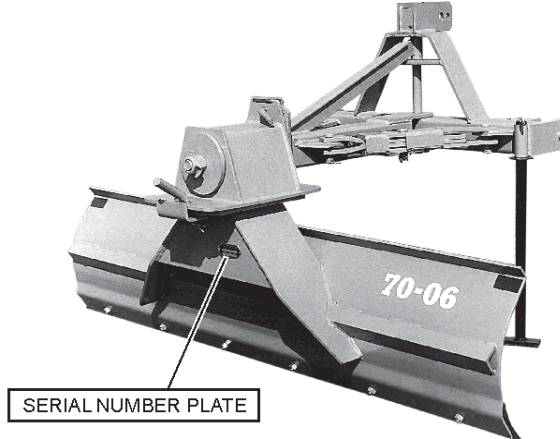
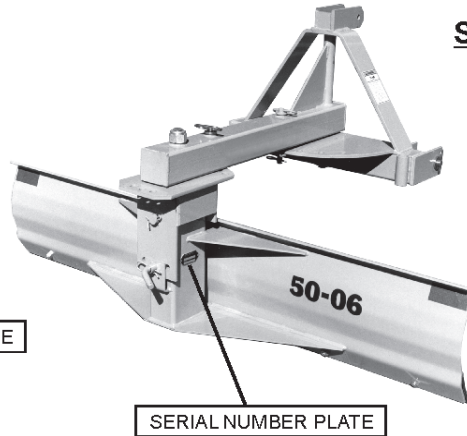
BEFORE YOU START! Read the safety messages on the implement and shown in your manual. Observe the rules of safety and common sense!

FC-BL-0016

Series 35



Series 50



Series 70

For future reference, record your Rhino product model number and serial number.

Dealer		Telephone		Model Number	
Owner		Purchase Date		Serial Number	

TABLE OF CONTENTS

SAFETY SECTION	1-1
Safety Messages	1-2
Decal Location	1-9
Decal Description	1-11
Federal Laws and Regulations	1-12
INTRODUCTION SECTION.....	2-1
RHINO LIMITED WARRANTY	2-4
ASSEMBLY SECTION	3-1
35 SERIES ASSEMBLY	3-2
50 SERIES ASSEMBLY	3-2
70 SERIES ASSEMBLY	3-3
OPERATION SECTION.....	4-1
Standard Equipment and Specifications	4-3
OPERATOR REQUIREMENTS.....	4-4
TRACTOR REQUIREMENTS.....	4-5
ROPS and Seat Belt	4-5
Tractor Horsepower	4-5
Front End Weight	4-6
GETTING ON AND OFF THE TRACTOR	4-6
Boarding the Tractor	4-6
Dismounting the Tractor.....	4-7
STARTING THE TRACTOR.....	4-8
CONNECTING THE REAR BLADE TO THE TRACTOR	4-8
Attaching the 35/50/70 Series Blade to Tractor	4-9
PRE-OPERATION INSPECTION AND SERVICE.....	4-10
Tractor Pre-Operation Inspection/Service.....	4-10
Blade Pre-Operation Inspection/Service.....	4-11
DRIVING THE TRACTOR AND IMPLEMENT	4-14
Starting the Tractor	4-15
Brake and Differential Lock Setting.....	4-15
Driving the Tractor and Blade	4-16
OPERATING THE TRACTOR AND IMPLEMENT.....	4-16
Field Adjustment for the 35 Series Blade.....	4-16
Field Adjustment for the 50 Series Blade.....	4-17
Field Adjustment for the 70 Series Blade.....	4-17
Operating the Blade	4-18
Shutting Down the Implement.....	4-19
DISCONNECTING THE BLADE FROM THE TRACTOR.....	4-19
Detaching 35/50/70 Series Blade from Tractor.....	4-19
BLADE STORAGE.....	4-20
TRANSPORTING THE TRACTOR AND IMPLEMENT	4-20
Transporting on Public Roadways	4-21
Hauling the Tractor and Implement.....	4-23
Troubleshooting Guide.....	4-25
MAINTENANCE SECTION.....	5-1
Proper Torque For Fasteners	5-2
PARTS SECTION	6-1

SAFETY SECTION

SAFETY

Safety Messages

A careful operator is the best operator. Safety is of primary importance to the manufacturer and should be to the owner/operator. Most accidents can be avoided by being aware of your equipment, your surroundings, and observing certain precautions. The first section of this manual includes a list of Safety Messages that, if followed, will help protect the operator and bystanders from injury or death. Read and understand these Safety Messages before assembling, operating or servicing this Implement. This equipment should only be operated by those persons who have read the manual, who are responsible and trained, and who know how to do so responsibly.



The Safety Alert Symbol combined with a Signal Word, as seen below, is used throughout this manual and on decals which are attached to the equipment. The Safety Alert Symbol means: "ATTENTION! BECOME ALERT! YOUR SAFETY IS INVOLVED!" The Symbol and Signal Word are intended to warn the owner/operator of impending hazards and the degree of possible injury faced when operating this equipment.

Practice all usual and customary safe working precautions and above all--remember safety is up to YOU. Only YOU can prevent serious injury or death from unsafe practices.



Indicates an imminently hazardous situation that, if not avoided, WILL result in DEATH OR VERY SERIOUS INJURY.



Indicates an imminently hazardous situation that, if not avoided, COULD result in DEATH OR SERIOUS INJURY.



Indicates an imminently hazardous situation that, if not avoided, MAY result in MINOR INJURY.



Identifies special instructions or procedures that, if not strictly observed, could result in damage to, or destruction of the machine, attachments or the environment.

NOTE: *Identifies points of particular interest for more efficient and convenient operation or repair.* (SG-1)

READ, UNDERSTAND, and FOLLOW the following Safety Messages. Serious injury or death may occur unless care is taken to follow the warnings and instructions stated in the Safety Messages. Always use good common sense to avoid hazards. (SG-2)



Si no lee ingles, pida ayuda a alguien que si lo lea para que le traduzca las medidas de seguridad. (SG-3)

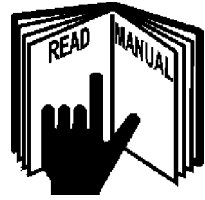
¡ LEA EL INSTRUCTIVO!



SAFETY



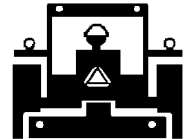
Never operate the Tractor or Implement until you have read and completely understand this Manual, the Tractor Operator's Manual, and each of the Safety Messages found in the Manual or on the Tractor and Implement. Learn how to stop the tractor engine suddenly in an emergency. Never allow inexperienced or untrained personnel to operate the Tractor or Implement without supervision. Make sure the operator has fully read and understood the manuals prior to operation. (SG-4)



Always maintain the safety signs in good readable condition. If the safety signs are missing, damaged, or unreadable, obtain and install replacement safety signs immediately. (SG-5)



Make certain that the "Slow Moving Vehicle" (SMV) sign is installed in such a way as to be clearly visible and legible. When transporting the Equipment use the Tractor flashing warning lights and follow all local traffic regulations. (SG-6)



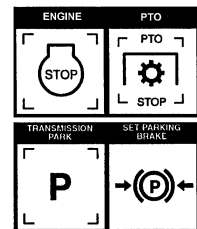
Operate this Equipment only with a Tractor equipped with an approved roll-over-protective system (ROPS). Always wear seat belts. Serious injury or even death could result from falling off the tractor--particularly during a turnover when the operator could be pinned under the ROPS. (SG-7)



Do not modify or alter this Implement. Do not permit anyone to modify or alter this Implement, any of its components or any Implement function. (SG-8)



BEFORE leaving the tractor seat lower the implement, set the parking brake and/or set the tractor transmission in parking gear, disengage the PTO, stop the engine, remove the key, and wait for all moving parts to stop. Place the tractor shift lever into a low range or parking gear to prevent the tractor from rolling. Never dismount a Tractor that is moving or while the engine is running. Operate the Tractor controls from the tractor seat only. (SG-9)



SAFETY



Never allow children or other persons to ride on the Tractor or Implement. Falling off can result in serious injury or death. (SG-10)



Never allow children to operate, ride on, or come close to the Tractor or Implement. Usually, 16-17 year-old children who are mature and responsible can operate the implement with adult supervision, if they have read and understand the Operator's Manuals, been trained in proper operation of the tractor and Implement, and are physically large enough to reach and operate the controls easily. (SG-11)



Do not mount or dismount the Tractor while the tractor is moving. Mount the Tractor only when the Tractor and all moving parts are completely stopped. (SG-12)



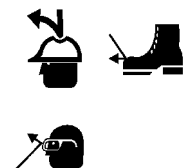
Start tractor only when properly seated in the Tractor seat. Starting a tractor in gear can result in injury or death. Read the Tractor operators manual for proper starting instructions. (SG-13)



Never work under the Implement, the framework, or any lifted component unless the Implement is securely supported or blocked up to prevent sudden or inadvertent falling which could cause serious injury or even death. (SG-14)



The operator and all support personnel should wear hard hats, safety shoes, safety glasses, and proper hearing protection at all times for protection from injury including injury from items that may be thrown by the equipment. (SG-16)



SAFETY

CAUTION

PROLONGED EXPOSURE TO LOUD NOISE MAY CAUSE PERMANENT HEARING LOSS! Tractors with or without an Implement attached can often be noisy enough to cause permanent hearing loss. We recommend that you always wear hearing protection if the noise in the Operator's position exceeds 80db. Noise over 85db over an extended period of time will cause severe hearing loss. Noise over 90db adjacent to the Operator over an extended period of time will cause permanent or total hearing loss. **NOTE:** *Hearing loss from loud noise [from tractors, chain saws, radios, and other such sources close to the ear] is cumulative over a lifetime without hope of natural recovery.* (SG-17)



WARNING

Transport only at speeds where you can maintain control of the equipment. Serious accidents and injuries can result from operating this equipment at high speeds. Understand the Tractor and Implement and how it handles before transporting on streets and highways. Make sure the Tractor steering and brakes are in good condition and operate properly.



Before transporting the Tractor and Implement, determine the proper transport speeds for you and the equipment. Make sure you abide by the following rules:

Test the tractor at a slow speed and increase the speed slowly. Apply the Brakes smoothly to determine the stopping characteristics of the Tractor and Implement. As you increase the speed of the Tractor the stopping distance increases. Determine the maximum transport speed not to exceed 20 mph (30 kph) for transporting this equipment.

Test the equipment at a slow speed in turns. Increase the speed through the turn only after you determine that the equipment can be operated at a higher speed. Use extreme care and reduce your speed when turning sharply to prevent the tractor and implement from turning over. Determine the maximum turning speed for you and this equipment before operating on roads or uneven ground.

Only transport the Tractor and Implement at the speeds which allow you to properly control the equipment.

Be aware of the operating conditions. Do not operate the Tractor with weak or faulty brakes or worn tires. When operating down a hill or on wet or rain slick roads, the braking distance increases: use extreme care and reduce your speed. When operating in traffic always use the Tractor's flashing warning lights and reduce your speed. Be aware of traffic around you and watch out for the other guy. (SG-19)



WARNING

Never attempt to lubricate, adjust, or remove material from the Implement while it is in motion or while tractor engine is running. (SG-20)

SAFETY

WARNING

Periodically inspect all moving parts for wear and replace when necessary with authorized service parts. Look for loose fasteners, worn or broken parts, and leaky or loose fittings. Make sure all pins have cotter pins and washers. Serious injury may occur from not maintaining this machine in good working order. (SG-21)



WARNING

Always read carefully and comply fully with the manufacturer's instructions when handling oil, solvents, cleansers, and any other chemical agent. (SG-22)



DANGER

Never run the Tractor engine in a closed building or without adequate ventilation. The exhaust fumes can be hazardous to your health. (SG-23)

DANGER

Never allow children to play on or around Tractor or Implement. Children can slip or fall off the Equipment and be injured or killed. Inadvertent contact with controls can cause the Implement to shift or fall crushing themselves or others. (SG-25)

DANGER

DO NOT use drugs or alcohol immediately before or while operating the Tractor and Implement. Drugs and alcohol will affect an operator's alertness and coordination and therefore affect the operator's ability to operate the equipment safely. Before operating the Tractor or Implement, an operator on prescription or over-the-counter medication must consult a medical professional regarding any side effects of the medication that would hinder their ability to operate the Equipment safely. NEVER knowingly allow anyone to operate this equipment when their alertness or coordination is impaired. Serious injury or death to the operator or others could result if the operator is under the influence of drugs or alcohol. (SG-27)



DANGER

Operate the Tractor and/or Implement controls only while properly seated in the Tractor seat with the seat belt securely fastened around you. Inadvertent movement of the Tractor or Implement may cause serious injury or death. (SG-29)

SAFETY

WARNING

Be particularly careful when transporting the Implement with the Tractor. Turn curves or go up hills only at a low speed and using a gradual steering angle. Rear mounted implements move the center of gravity to the rear and remove weight from the front wheels. Make certain, by adding front ballast, that at least 20% of the tractor's weight is on the front wheels to prevent rearing up, loss of steering control or Tractor tip-over. Slow down on rough or uneven surfaces to prevent loss of steering control which could result in property damage or possible injury. Do not transport unless 3-Point lift lever is fully raised and in the latched transport position. Dropping implement in transport can cause serious damage to the tractor and/or Implement and possibly cause the operator or others to be injured or killed.

(S3PT-02)

DANGER

This Implement may be wider than the Tractor. Be careful when operating or transporting this equipment to prevent the Implement from running into or striking sign posts, guard rails, concrete abutments or other solid objects. Such an impact could cause the Implement and Tractor to pivot violently resulting in loss of steering control, serious injury, or even death. Never allow the Implement to contact obstacles. (S3PT-12)

DANGER

There are obvious and hidden potential hazards in operating Rear Blades and Box Scrapers as in all power-driven equipment. REMEMBER! This machine is often operated in rough terrain conditions that include gullies, holes, slopes, hidden obstructions and the like. Serious injury or even death may occur unless care is taken to assure the personal safety of the operator and bystanders in the area. (SBL-1)

DANGER

NEVER PARK BLADE ON THE BACK OF THE MOLDBOARD. Inadvertent falling could cause serious injury or even death. ALWAYS LOWER HITCH onto stand or onto secure blocks. (SBL-2)

DANGER

Never leave blade unattended in the lifted position. Accidental operation of lifting lever or a hydraulic failure may cause sudden drop of unit with subsequent injury or death by crushing. Lower Stand and pin in place, or put a secure support under the A-Frame. Lower Blade carefully to the ground. Do not put hands or feet under lifted components. (SBL-4)

WARNING

Rear Blades can fall down if not properly supported. Always use the stand on the front hitch or block up securely to prevent falling and possible crushing injury and/or back injury from lifting heavy components. (SBL-5)

SAFETY

PARTS INFORMATION

Rhino products are designed utilizing specifically matched system components to ensure optimum equipment performance. These parts are made and tested to Rhino specifications. Non-genuine "will fit" parts do not consistently meet these specifications. The use of "will fit" parts may reduce equipment performance, void warranties, and present a safety hazard. Use genuine Rhino parts for economy and safety. (SPRM-2)

SEE YOUR RHINO DEALER

Operator's & Parts Manuals



www.algqr.com/rpm

In addition to the design and configuration of this Implement, including Safety Signs and Safety Equipment, hazard control and accident prevention are dependent upon the awareness, concern, prudence, and proper training of personnel involved in the operation, transport, maintenance, and storage of the machine. Refer also to Safety Messages and operation instruction in each of the appropriate sections of the Tractor and Equipment Manuals. Pay close attention to the Safety Signs affixed to the Tractor and Equipment. (SG-18)

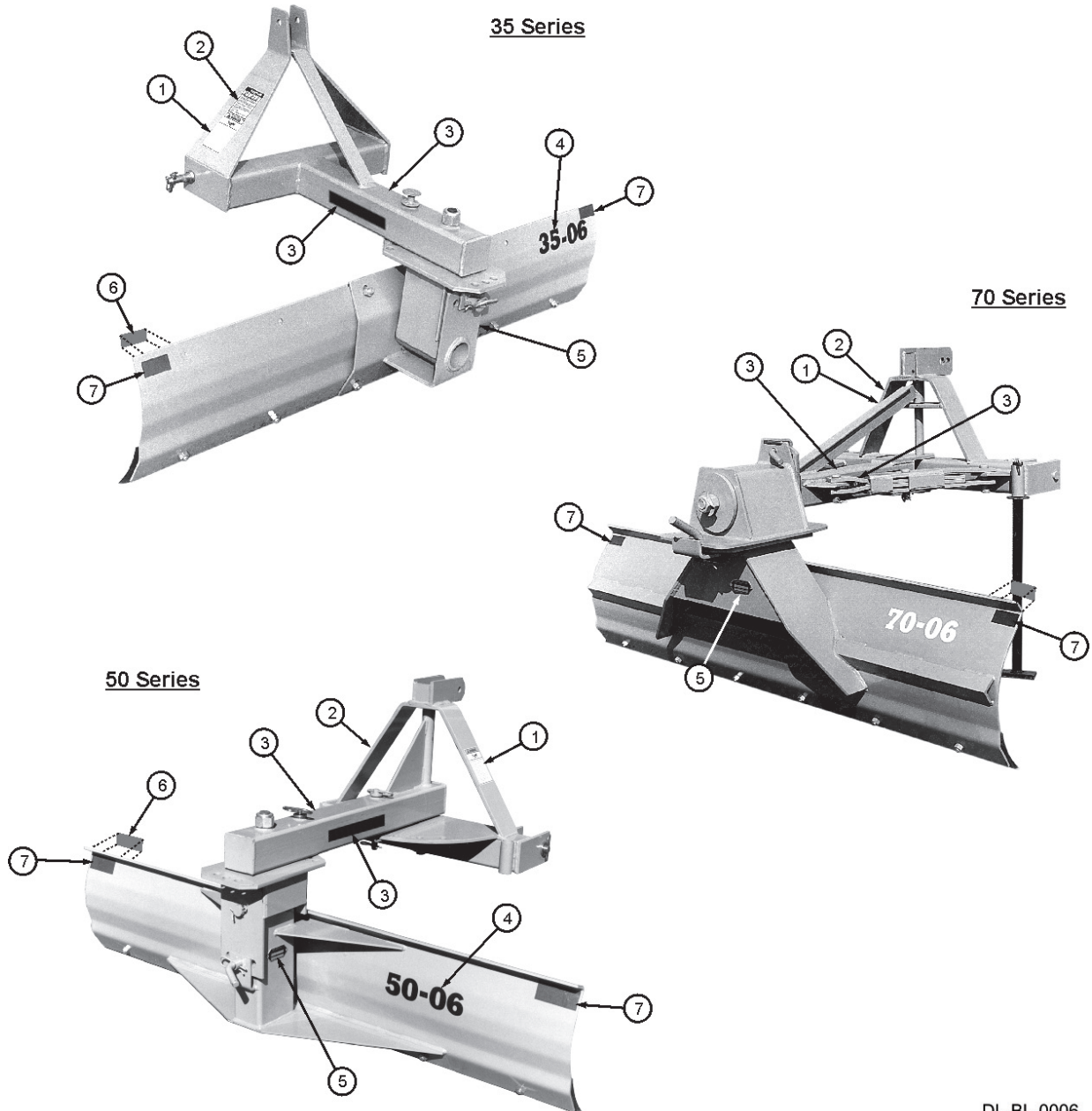
SAFETY

SAFETY

SAFETY

Decal Location

NOTE: Rhino supplies safety decals on this product to promote safe operation. Damage to the decals may occur while in shipping, use, or reconditioning. Rhino cares about the safety of its customers, operators, and bystanders, and will replace the safety decals on this product in the field, free of charge (Some shipping and handling charges may apply). Contact your Rhino dealer to order replacement decals.



DL-BL-0006

SAFETY

ITEM	PART NO.	QTY	LEVEL	DESCRIPTION
1.	90959	1	WARNING	Blade Operation
2.	89141	1	CAUTION	Blade Hazard
3.	54691	1	LOGO	Rhino
4.		1	NAME	Model Name
5.	nfs	1	SER PLT	Serial Plate
6.	1458393	2	REFLECT	Amber Reflectors
7.	1458392	4	REFLECT	Red Reflectors
8.	00789001C	1	_____	Operators Manual

*Furnished by Tractor Manufacturer

SAFETY

SAFETY

SAFETY

Decal Description

⚠ WARNING



TO AVOID SERIOUS INJURY OR DEATH:

1. DURING BLADE ADJUSTMENTS:
 - KEEP FINGERS AWAY FROM ADJUSTING HOLES.
 - KEEP BODY, HANDS AND FEET CLEAR FROM ELEVATED BLADE.
2. DURING BLADE OPERATION:
 - AVOID HIGH SPEED OVER ROUGH TERRAIN OR SLOPES.
 - DO NOT HIT IMMOVABLE OBJECTS WITH BLADE OR SCARIFIER POINTS.
 - DO NOT HIT MOUNDS, RIDGES OR AREAS WITH HIDDEN OBSTRUCTIONS DURING SNOW, ICE REMOVAL OR SIMILAR HIGH SPEED OPERATIONS.

90959

⚠ CAUTION



TO AVOID SERIOUS INJURY OR DEATH:

- READ OPERATORS MANUAL BEFORE OPERATING AND FOLLOW ALL PRECAUTIONS (CONTACT DEALER FOR MANUAL).
- IT IS RECOMMENDED OPERATOR USE ROLLOVER PROTECTIVE SYSTEM AND SEAT BELT EQUIPPED TRACTOR FOR ALL IMPLEMENT OPERATIONS.
- ADD TRACTOR FRONT END WEIGHTS REQUIRED FOR TRACTOR STABILITY.
- LOWER IMPLEMENT TO GROUND, STOP ENGINE, PLACE TRANSMISSION IN NEUTRAL OR PARK, SET PARKING BRAKE AND REMOVE KEY BEFORE DISMOUNTING TRACTOR OR ADJUSTING IMPLEMENT.
- ALLOW NO RIDERS.
- TRANSPORT BLADE IN FULL RAISED POSITION WITH TILT AND OFFSET ANGLES AT "ZERO" POSITION.

89141

SAFETY

Federal Laws and Regulations

This section is intended to explain in broad terms the concept and effect of federal laws and regulations concerning employer and employee equipment operators. This section is not intended as a legal interpretation of the law and should not be considered as such.

Employer-Employee Operator Regulations

U.S. Public Law 91-596 (The Williams-Steiger Occupational and Health Act of 1970) OSHA

This Act Seeks:

"...to assure so far as possible every working man and woman in the nation safe and healthful working conditions and to preserve our human resources..."

DUTIES

Sec. 5 (a) Each employer-

- (1) shall furnish to each of his employees employment and a place of employment which are free from recognized hazards that are causing or are likely to cause death or serious physical harm to his employees;
- (2) shall comply with occupational safety and health standards promulgated under this Act.
- (b) Each employee shall comply with occupational safety and health standards and all rules, regulations and orders issued pursuant to this Act which are applicable to his own actions and conduct.

OSHA Training Requirements

Title 29, Code of Federal Regulations Part 1928.57(a)(6). www.osha.gov

Operator instructions. At the time of initial assignment and at least annually thereafter, the employer shall instruct every employee who operates an agricultural tractor and implements in the safe operating practices and servicing of equipment with which they are or will be involved, and of any other practices dictated by the work environment.

Keep all guards in place when the machine is in operation;

Permit no riders on equipment

Stop engine, disconnect the power source, and wait for all machine movement to stop before servicing, adjusting, cleaning or unclogging the equipment, except where the machine must be running to be properly serviced or maintained, in which case the employer shall instruct employees as to all steps and procedures which are necessary to safely service or maintain the equipment.

Make sure everyone is clear of machinery before starting the engine, engaging power, or operating the machine.

Employer Responsibilities:

To ensure employee safety during Tractor and Implement operation, it is the employer's responsibility to:

1. Train the employee in the proper and safe operation of the Tractor and Implement.
2. Require that the employee read and fully understand the Tractor and Implement Operator's manual.
3. Permit only qualified and properly trained employees to operate the Tractor and Implement.
4. Maintain the Tractor and Implement in a safe operational condition and maintain all shields and guards on the equipment.
5. Ensure the Tractor is equipped with a functional ROPS and seat belt and require that the employee operator securely fasten the safety belt and operate with the ROPS in the raised position at all times.
6. Forbid the employee operator to carry additional riders on the Tractor or Implement.
7. Provide the required tools to maintain the Tractor and Implement in a good safe working condition and provide the necessary support devices to secure the equipment safely while performing repairs and service.
8. Require that the employee operator stop operation if bystanders or passersby come within 300 feet.

Child Labor Under 16 Years of Age

Some regulations specify that no one under the age of 16 may operate power machinery. It is your responsibility to know what these regulations are in your own area or situation. (Refer to U.S. Dept. of Labor, Employment Standard Administration, Wage & Home Division, Child Labor Bulletin #102.)

INTRODUCTION SECTION

INTRODUCTION

INTRODUCTION

This 35, 50 and 75 Series are designed with care and built with quality materials by skilled workers. Proper assembly, maintenance, and operating practices, as described in this manual, will help the owner/operator get years of satisfactory service from the machine.

The purpose of this manual is to familiarize and instruct. The Assembly Section instructs the owner/operator in the correct assembly of the Blade using standard and optional equipment.

Careful use and timely service saves extensive repairs and costly downtime losses. The Operation and Maintenance Sections of the manual train the owner/operator how to work the Blade correctly and attend to appropriate maintenance. The Troubleshooting Guide helps diagnose difficulties and offers solution to the problems.

Safety is of primary importance to the owner/operator and to the manufacturer. The first section of this manual includes a list of Safety Messages, that, if followed, will help protect the operator and bystanders from injury or death. Many of the Safety Messages will be repeated throughout the manual. The owner/operator/dealer should know these Safety Messages before assembly and be aware of the hazards of operating this blade during assembly, use, and maintenance. The Safety Alert Symbol combined with a Signal Word, as seen below, is intended to warn the owner/operator of impending hazards and the degree of possible injury faced when operating this machine.



Indicates an imminently hazardous situation that, if not avoided, WILL result in DEATH OR VERY SERIOUS INJURY.



Indicates an imminently hazardous situation that, if not avoided, COULD result in DEATH OR SERIOUS INJURY.



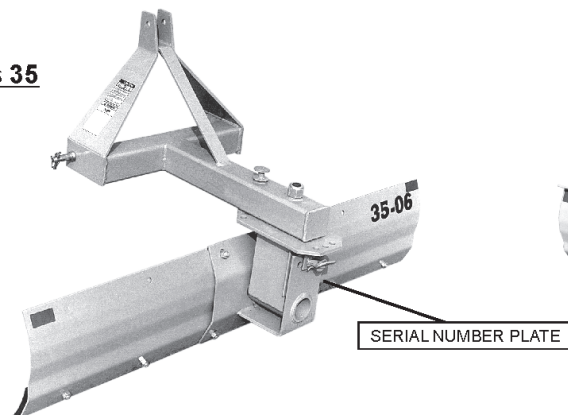
Indicates an imminently hazardous situation that, if not avoided, MAY result in MINOR INJURY.



Identifies special instructions or procedures that, if not strictly observed, could result in damage to, or destruction of the machine, attachments or the environment.

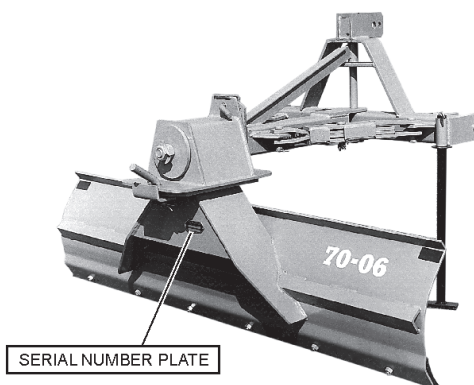
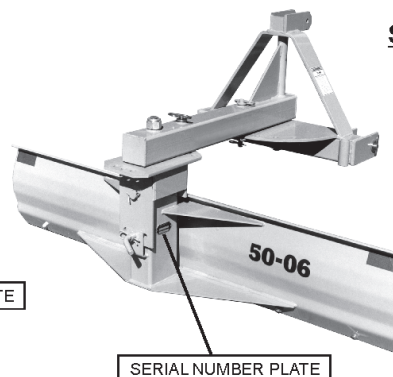
INTRODUCTION

Series 35



FC-BL-0016

Series 50



Series 70

The 35 Series blade is available in widths of 5', 6' and 7' and features a CAT I 3-point hitch and Quick-hitch, the 50 Series blade is available in widths of 6' and 7' and features a CAT I 3-point hitch and Quick hitch and the 70 Series blade is available in widths of 6', 7' and 8' and features a CAT I, CAT II 3-point hitch and Quick hitch. The 35 Series model is rated for up to 35 PTO HP on 2WD and up to 30 PTO HP on 4WD, the 50 Series model is rated for up to 50 PTO HP on 2WD and 40 PTO HP on 4WD, and the 70 Series model is rated up to 70 PTO HP on 2WD and 55 PTO HP on 4WD. These Series blades are available with manual adjustments of the mainframe swing, moldboard tilt to better fit many applications. The blade features a maximum of 12" offset for the 35 Series, 16" for the 50 Series and 18" for the 70 Series for working hard-to-reach areas. Many competitive blades can only reach their maximum offset in one direction without relocating the cylinder. Skid shoes are available for all 3 models. Bolt on end plates are available for the 70 Series blade only.

WARNING

At least 20% of the tractor's weight must be on the front tires with the implement lifted to provide adequate traction for safe steering under good conditions. Slow down on hills, rough terrain, and curves.

Front and rear, and left and right are determined by the normal direction of travel (the same as on your automobile).

INTRODUCTION

RHINO LIMITED WARRANTY

INTRODUCTION

1. LIMITED WARRANTIES

- 1.01. Rhino warrants for one year from the purchase date to the original non-commercial, governmental, or municipal purchaser ("Purchaser") and warrants for six months to the original commercial or industrial purchaser ("Purchaser") that the goods purchased are free from defects in material or workmanship.
- 1.02. Manufacturer will replace for the Purchaser any part or parts found, upon examination at one of its factories, to be defective under normal use and service due to defects in material or workmanship.
- 1.03. This limited warranty does not apply to any part of the goods which has been subjected to improper or abnormal use, negligence, alteration, modification, or accident, damaged due to lack of maintenance or use of wrong fuel, oil, or lubricants, or which has served its normal life. This limited warranty does not apply to any part of any internal combustion engine, or expendable items such as blades, shields, guards, or pneumatic tires except as specifically found in your Operator's Manual.
- 1.04. Except as provided herein, no employee, agent, Dealer, or other person is authorized to give any warranties of any nature on behalf of Manufacturer.

2. REMEDIES AND PROCEDURES.

- 2.01. This limited warranty is not effective unless the Purchaser returns the Registration and Warranty Form to Manufacturer within 30 days of purchase.
- 2.02. Purchaser claims must be made in writing to the Authorized Dealer ("Dealer") from whom Purchaser purchased the goods or an approved Authorized Dealer ("Dealer") within 30 days after Purchaser learns of the facts on which the claim is based.
- 2.03. Purchaser is responsible for returning the goods in question to the Dealer.
- 2.04. If after examining the goods and/or parts in question, Manufacturer finds them to be defective under normal use and service due to defects in material or workmanship, Manufacturer will:
 - (a) Repair or replace the defective goods or part(s) or
 - (b) Reimburse Purchaser for the cost of the part(s) and reasonable labor charges (as determined by Manufacturer) if Purchaser paid for the repair and/or replacement prior to the final determination of applicability of the warranty by Manufacturer.

The choice of remedy shall belong to Manufacturer.

- 2.05. Purchaser is responsible for any labor charges exceeding a reasonable amount as determined by Manufacturer and for returning the goods to the Dealer, whether or not the claim is approved. Purchaser is responsible for the transportation cost for the goods or part(s) from the Dealer to the designated factory.

3. LIMITATION OF LIABILITY.

- 3.01. MANUFACTURER DISCLAIMS ANY EXPRESS (EXCEPT AS SET FORTH HEREIN) AND IMPLIED WARRANTIES WITH RESPECT TO THE GOODS INCLUDING, BUT NOT LIMITED TO, MERCHANTABILITY AND FITNESS FOR A PARTICULAR PURPOSE.
- 3.02. MANUFACTURER MAKES NO WARRANTY AS TO THE DESIGN, CAPABILITY, CAPACITY, OR SUITABILITY FOR USE OF THE GOODS.
- 3.03. EXCEPT AS PROVIDED HEREIN, MANUFACTURER SHALL HAVE NO LIABILITY OR RESPONSIBILITY TO PURCHASER OR ANY OTHER PERSON OR ENTITY WITH RESPECT TO ANY LIABILITY, LOSS, OR DAMAGE CAUSED OR ALLEGED TO BE CAUSED DIRECTLY OR INDIRECTLY BY THE GOODS INCLUDING, BUT NOT LIMITED TO, ANY INDIRECT, SPECIAL, CONSEQUENTIAL, OR INCIDENTAL DAMAGES RESULTING FROM THE USE OR OPERATION OF THE GOODS OR ANY BREACH OF THIS WARRANTY. NOT WITHSTANDING THE ABOVE LIMITATIONS AND WARRANTIES, MANUFACTURER'S LIABILITY HEREUNDER FOR DAMAGES INCURRED BY PURCHASER OR OTHERS SHALL NOT EXCEED THE PRICE OF THE GOODS.
- 3.04. NO ACTION ARISING OUT OF ANY CLAIMED BREACH OF THIS WARRANTY OR TRANSACTIONS UNDER THIS WARRANTY MAY BE BROUGHT MORE THAN TWO (2) YEARS AFTER THE CAUSE OF ACTION HAS OCCURRED.

4. MISCELLANEOUS.

- 4.01. Proper Venue for any lawsuits arising from or related to this limited warranty shall be only in Guadalupe County, Texas.
- 4.02. Manufacturer may waive compliance with any of the terms of this limited warranty, but no waiver of any terms shall be deemed to be a waiver of any other term.
- 4.03. If any provision of this limited warranty shall violate any applicable law and is held to be unenforceable, then the invalidity of such provision shall not invalidate any other provisions herein.
- 4.04. Applicable law may provide rights and benefits to purchaser in addition to those provided herein.

KEEP FOR YOUR RECORDS

ATTENTION: Purchaser should fill in the blanks below for his reference when buying repair parts and/or for proper machine identification when applying for warranty.

Rhino Implement Model _____ Serial Number _____
Date Purchased _____ Dealer _____

ATTENTION:

READ YOUR OPERATOR'S MANUAL

RHINO®

1020 S Sangamon Ave.
Gibson City, IL 60936
800-446-5158
Email: parts@servis-rhino.com



ASSEMBLY SECTION

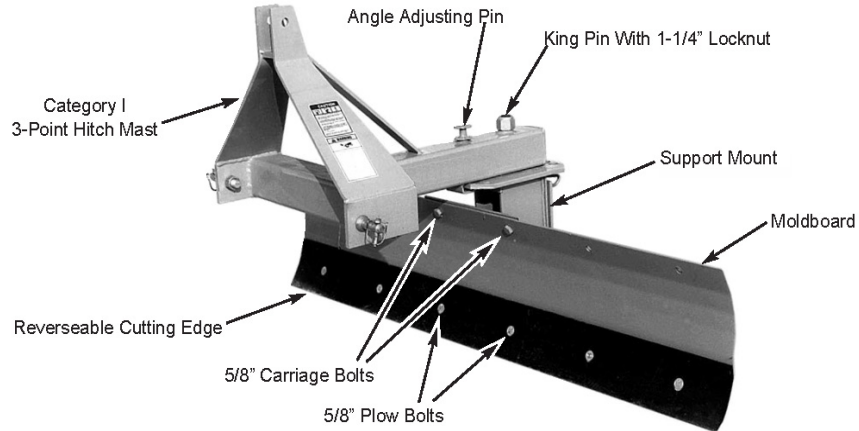
ASSEMBLY

ASSEMBLY

35 SERIES ASSEMBLY

Fasten the 3-point hitch frame to the moldboard assembly by sliding the king pin up through the holes in the boom and fastening with a 1-1/4" lock nut. Do not overtighten so as to prevent the moldboard from pivoting.

Lock the moldboard into the desired position with the angle adjusting pin. Insert hair pin through bottom of the adjusting pin.

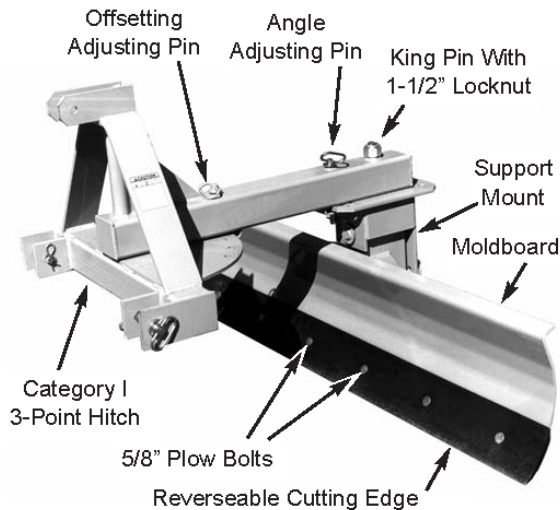


AsmP-BL-0008

50 SERIES ASSEMBLY

Fasten the moldboard assembly to the mainframe boom by sliding the king pin up through the holes in the boom and fastening with a 1-1/2" lock nut. Do not overtighten so as to prevent the moldboard from pivoting.

Lock the moldboard into the desired position with the angle adjusting pin. Insert hair pin through bottom of the adjusting pin.



AsmP-BL-0009

ASSEMBLY

70 SERIES ASSEMBLY



Ensure that moldboard is securely supported during assembly to prevent it from falling onto feet, hands or body.

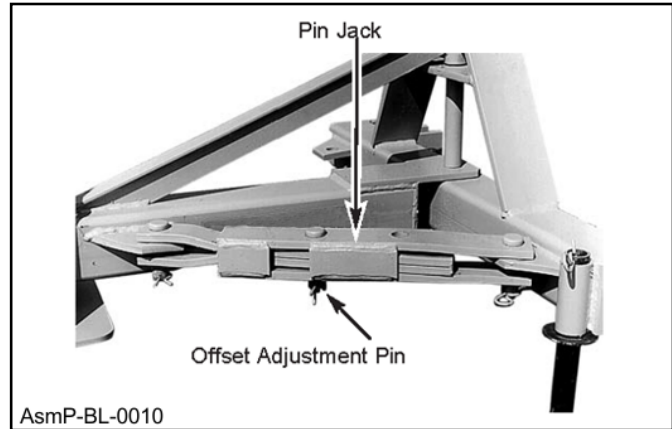
Support moldboard in operating position.

Attach the frame to tractor 3-point hitch and assemble the offsetting link (pin jack, ratchet jack or hydraulic cylinder) between the mast and the main beam.

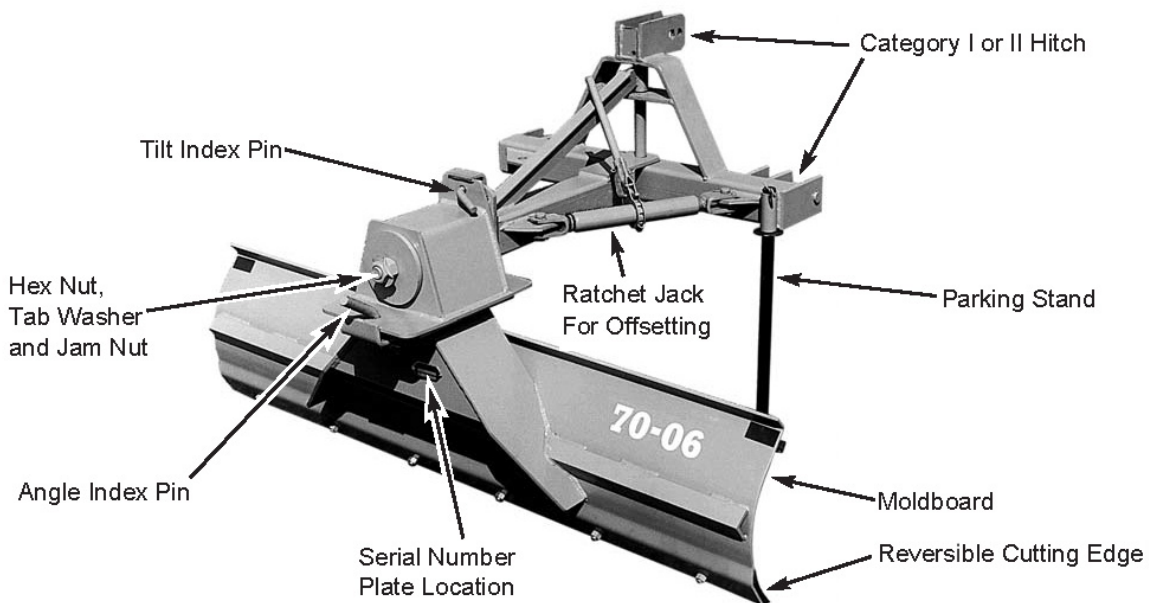
Insert the main beam extension through the moldboard mount frame. Place cover plate over threaded extension and against rear of mount. Install 1-1/4" hex nut onto threaded extension and tighten securely. Place tab washer over threaded extension followed by the 1-1/4" jam nut.

While holding the inner nut, securely tighten the jam nut against the tab washer. Bend one side of the washer over the inner nut and the opposite side of the washer over the outer nut. This will secure the assembly during operation.

Place index pins in desired positions and fasten with presto pins.



ASSEMBLY



OPERATION SECTION

OPERATION

RHINO 35/50/75 SERIES REAR MOUNTED BLADE OPERATION INSTRUCTIONS

Your Rhino 35/50/70 Series should now be assembled and inspected for any evidence of defective or damaged parts before use. Any evidence of damage should be reported to your dealer immediately. After Hydraulic Lines have been attached to tractor and Three-Point Hitch attached, carefully remove safety blocks from Moldboard pivot Point.

This section of the Operator's Manual is designed to familiarize, instruct, and educate safe and proper blade use to the operator. Pictures contained in this section are intended to be used as a visual aid to assist in explaining the operation of a blade. Some pictures may show shields removed for purposes of clarity. NEVER OPERATE this implement without all shields in place and in good operational condition. The operator must be familiar with the blade and tractor operation and all associated safety practices before operating the blade and tractor. Proper operation of the blade, as detailed in this manual, will help ensure years of safe and satisfactory use of the rear blade.

OPERATION

READ AND UNDERSTAND THE ENTIRE OPERATING INSTRUCTIONS AND SAFETY SECTION OF THIS MANUAL AND THE TRACTOR MANUAL BEFORE ATTEMPTING TO USE THE TRACTOR AND IMPLEMENT. If you do not understand any of the instructions, contact your nearest authorized dealer for a full explanation. Pay close attention to all safety signs and safety messages contained in this manual and those affixed to the implement and tractor. *OPS-U- 0001*

READ, UNDERSTAND, and FOLLOW the following Safety Messages. Serious injury or death may occur unless care is taken to follow the warnings and instructions stated in the Safety Messages. Always use good common sense to avoid hazards. (SG-2)



Si no lee ingles, pida ayuda a alguien que si lo lea para que le traduzca las medidas de seguridad. (SG-3)



OPERATION

1. Standard Equipment and Specifications

	<u>35 Series</u>	<u>50 Series</u>	<u>70 Series</u>	
Moldboard Widths	5', 6', 7'	6', 7'	6', 7', 8'	
Approximate Weight	280 lbs (5 ft)	390 lbs (6 ft)	510 lbs (6 ft)	
	290 lbs (6 ft)	455 lbs (7 ft)	538 lbs (7 ft)	
	325 lbs (7 ft)		572 lbs (8 ft)	
Maximum Tractor HP				
	2WD	35 PTO	50 PTO	70 PTO
	4WD	30 PTO	40 PTO	55 PTO
Hitch Type (3-Point)	CAT I, QH	CAT I, QH	CAT I, CAT II, QH	
Moldboard and Thickness	14.5" x 1/4"	15.5" x 5/16"	19" x 5/16"	
Moldboard Cutting Edge	1/2" x 6" Reversible	1/2" x 6" Reversible	1/2" x 6" Reversible	
King Pin Diameter	1-1/4" (Grade 8)	1-1/4" (Grade 8)	1-1/4" (Grade 8)	
Tilt Adjustment	15° Up or Down	15° Up or Down	5 Positions Up to 30°	
Offset Adjustment	12" Left or Right	16" Left or Right	18" Left or Right	
Angle Adjustment	5 Forward Position	5 Forward Position	5 Forward Position	
	up to 30°	up to 30°	up to 45°	
	3 Reverse Positions	3 Reverse Positions	5 Reverse Positions	
	up to 15°	up to 15°	up to 45°	
Blade Parking Stand	N/A	Standard	Standard	
Warranty	1 Year	1 Year	1 Year	
Options			Ratchet (Offset)	

OPERATION

2. OPERATOR REQUIREMENTS

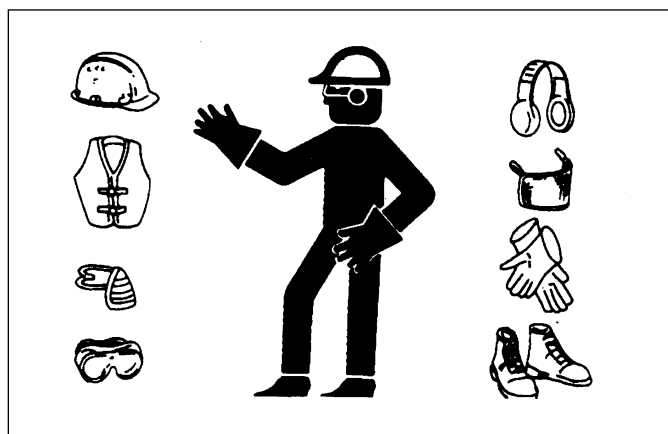
Safe operation of the unit is the responsibility of a qualified operator. A qualified operator has read and understands the implement and tractor Operator's Manuals and is experienced in implement and tractor operation and all associated safety practices. In addition to the safety messages contained in this manual, safety signs are affixed to the implement and tractor. If any part of the operation and safe use of this equipment is not completely understood, consult an authorized dealer for a complete explanation.

If the operator cannot read the manuals for themselves or does not completely understand the operation of the equipment, it is the responsibility of the supervisor to read and explain the manuals, safety practices, and operating instructions to the operator.

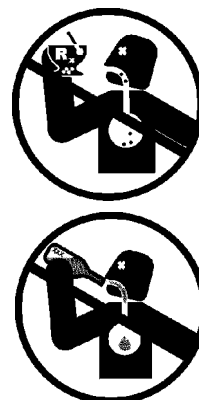
Safe operation of equipment requires that the operator wear approved Personal Protective Equipment (PPE) for the job conditions when attaching, operating, servicing, and repairing the equipment. PPE is designed to provide operator protection and includes the following safety wear:

PERSONAL PROTECTIVE EQUIPMENT (PPE)

- Always Wear Safety Glasses
- Hard Hat
- Steel Toe Safety Footwear
- Gloves
- Hearing Protection
- Close Fitting Clothing
- Respirator or Filter Mask (depends on operating conditions) *OPS-U-0002*



DO NOT use drugs or alcohol immediately before or while operating the Tractor and Implement. Drugs and alcohol will affect an operator's alertness and coordination and therefore affect the operator's ability to operate the equipment safely. Before operating the Tractor or Implement, an operator on prescription or over-the-counter medication must consult a medical professional regarding any side effects of the medication that would hinder their ability to operate the Equipment safely. NEVER knowingly allow anyone to operate this equipment when their alertness or coordination is impaired. Serious injury or death to the operator or others could result if the operator is under the influence of drugs or alcohol. (SG-27)



OPERATION

3. TRACTOR REQUIREMENTS

Operating the blade with a tractor that does not meet the following requirements may cause tractor or blade damage and be a potential danger to the operator and passersby.

Tractor Requirements and Capabilities

- ASABE approved Roll-Over Protective Structure (ROPS) or ROPS cab and seat belt.
- Tractor Safety Devices Slow Moving Vehicle (SMV) emblem, lighting, PTO master shield
- Tractor Horsepower (Max. PTO)

	<u>35 Series</u>	<u>50 Series</u>	<u>75 Series</u>
- 2WD	35 PTO	50 PTO	70 PTO
- 4WD	30 PTO	40 PTO	55 PTO
• Hitch - 3 Point Hitch.....	CAT I, QH	CAT I, QH	CAT I, CAT II, QH
- Lifting Capacity	5 ft - 280 lbs	6 ft - 390 lbs	6 ft - 510 lbs
	6 ft - 290 lbs	7 ft - 455 lbs	7 ft - 538 lbs
	7 ft - 325 lbs		8 ft - 572 lbs
• Front End Weights.....	As needed to maintain 20% weight on front axle		

3.1 ROPS and Seat Belt

The tractor must be equipped with a Roll-Over-Protective-Structure (ROPS) (tractor cab or roll-bar) and seat belt to protect the operator from falling off the tractor, especially during a roll over where the driver could be crushed and killed. Only operate the tractor with the ROPS in the raised position and seat belt fastened. Tractor models not equipped with a ROPS and seat belt should have these life saving features installed by an authorized dealer. OPS-U- 0003



Operate this Equipment only with a Tractor equipped with an approved roll-over-protective system (ROPS). Always wear seat belts. Serious injury or even death could result from falling off the tractor--particularly during a turnover when the operator could be pinned under the ROPS. (SG-7)



3.2 Tractor Horsepower

The power required to operate a blade is determined by the tractor PTO horsepower. Refer to Tractor Requirements and Capabilities listed above. Operating the blade with a tractor that does not have adequate power may damage the tractor engine. Exceeding the recommended horsepower may cause blade damage by overpowering the unit in heavy operating conditions.

OPERATION

OPERATION

3.3 Tractor 3-Point Hitch

The tractor 3-point hitch must be rated to lift at least 280 lbs for 5 ft, 290 lbs for 6 ft and 325 lbs for 7 ft on the 35 Series, 390 lbs for 6ft and 455 lbs for 7 ft on the 50 Series and 510 lbs for 6 ft, 538 lbs for 7 ft and 572 lbs for 8 ft on the 70 Series.

The 35 Series and 50 Series can attach to tractors with either a CAT I or Quick Hitch and the 70 Series can attach to a tractors with either a CAT I, CAT II or Quick Hitch. Refer to the tractor operator's manual for the category of the tractor used. If the hitch does not conform to the ASABE CAT I or II dimensions, the blade may not fit or raise properly. Consult an authorized dealer for possible modification procedures to mount nonconforming hitches.

Use the correct hitch pins for the hitch category being used. For a Cat I hitch, 7/8" lower and a 3/4" upper diameter hitch pins are used and Cat II hitches require 1-1/8" lower and a 1" upper diameter hitch pins.

CAT I Implement / Hitch Specification

Width from outside to outside A-frame.....	26-7/8"
Quick Hitch width inside lug to lug	27-1/8"
Height from bottom hitch pin to top pin	18"
Lower pin diameter	7/8"
Upper pin diameter	3/4"
Linch pin diameter	15/32"

CAT II Implement/ Hitch Specification

Width from outside to outside A-frame	32-3/8"
Quick Hitch width inside lug to lug	33-5/8"
Height from bottom hitch pin to top pin	19"
Lower pin diameter.....	1-1/8"
Upper pin diameter.....	1"
Linch pin diameter.....	15/32"

3.4 Front End Weight

A minimum of 20% total tractor weight must be maintained on the tractor front end at all times. Front end weight is critical to maintain steering control and to prevent the tractor from rearing up while driving. If the front end is too light, add weight until a minimum of 20% total weight is reached on the front tires. Front weights and weight carriers can be purchased through an authorized tractor dealership. *OPS-U- 0005*

4. GETTING ON AND OFF THE TRACTOR

Before getting onto the tractor, the operator must read and completely understand the implement and tractor operator manuals. If any part of either manual is not completely understood, consult an authorized dealer for a complete explanation. *OPS-U- 0007*



Do not mount or dismount the Tractor while the tractor is moving. Mount the Tractor only when the Tractor and all moving parts are completely stopped. (SG-12)



4.1 Boarding the Tractor

Use both hands and equipped handrails and steps for support when boarding the tractor. Never use control levers for support when mounting the tractor. Seat yourself in the operator's seat and secure the seat belt around you.

Never allow passengers to ride on the tractor or attached equipment. Riders can easily fall off and be seriously injured or killed from falling off and being ran over. It is the operator's responsibility to forbid all extra riders at all times. *OPS-U- 0008*

OPERATION



Never allow children to operate, ride on, or come close to the Tractor or Implement. Usually, 16-17 year-old children who are mature and responsible can operate the implement with adult supervision, if they have read and understand the Operator's Manuals, been trained in proper operation of the tractor and Implement, and are physically large enough to reach and operate the controls easily. (SG-11)



Never allow children or other persons to ride on the Tractor or Implement. Falling off can result in serious injury or death. (SG-10)



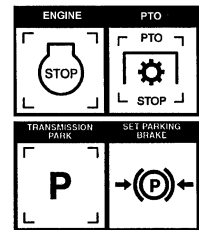
4.2 Dismounting the Tractor

Before dismounting, park the tractor and implement on a reasonably level surface, apply the parking brake, idle the engine down, disengage the PTO, and lower the implement to the ground. Shut down the tractor engine according to the operator's manual, remove the key, and wait for all motion to completely stop. Never leave the seat until the tractor, its engine and all moving parts have come to a complete stop.

Use hand rails and steps when exiting the tractor. Be careful of your step and use extra caution when mud, ice, snow or other matter has accumulated on the steps or hand rails. Use all handrails and steps for support and never rush or jump off the tractor. OPS-U- 0009



BEFORE leaving the tractor seat lower the implement, set the parking brake and/or set the tractor transmission in parking gear, disengage the PTO, stop the engine, remove the key, and wait for all moving parts to stop. Place the tractor shift lever into a low range or parking gear to prevent the tractor from rolling. Never dismount a Tractor that is moving or while the engine is running. Operate the Tractor controls from the tractor seat only. (SG-9)



OPERATION

5. STARTING THE TRACTOR

The operator must have a complete understanding of the placement, function, and operational use of all tractor controls before starting the tractor. Review the tractor operator's manual and consult an authorized dealer for tractor operation instructions if needed.

Essential Tractor Controls:

- Locate the light control switch.
- Locate the engine shut off control.
- Locate the brake pedals and the clutch.
- Locate the PTO control.
- Locate the 3-point hitch control lever.
- Locate the hydraulic remote control levers.

Before starting the tractor ensure the following:

- Conduct all pre-start operation inspection and service according to the tractor operator's manual.
- Make sure all guards, shields, and other safety devices are securely in place.
- The parking brake is on.
- The PTO control lever is disengaged.
- The 3-point hitch control lever is in the lowered position.
- The hydraulic remote control levers are in the neutral position.
- The tractor transmission levers are in park or neutral.

Refer to the tractor owner's manual for tractor starting procedures. Only start the tractor while seated and belted in the tractor operator's seat. Never bypass the ignition switch by short circuiting the starter solenoid.

After the tractor engine is running, avoid accidental contact with the tractor transmission to prevent sudden and unexpected tractor movement. *OPS-U-0028*



Never run the Tractor engine in a closed building or without adequate ventilation. The exhaust fumes can be hazardous to your health. (SG-23)



Start tractor only when properly seated in the Tractor seat. Starting a tractor in gear can result in injury or death. Read the Tractor operators manual for proper starting instructions. (SG-13)



6. CONNECTING THE REAR BLADE TO THE TRACTOR

Use extreme caution when connecting the blade to the tractor. The rear blade should be securely resting at ground level or set on blocks. Keep hands and feet from under the blade and clear of pinch points between the tractor hitch arms and blade pins. *OPS-0011_A*



Always shut the Tractor completely down, place the transmission in park, and set the parking brake before you or anyone else attempts to connect or disconnect the Implement and Tractor hitches. (S3PT-15)

OPERATION

6.1 Connecting the Rear Blade

1. Shorten or remove the tractor drawbar to avoid interference when raising and lowering the rear blade.
2. Board the tractor and start the engine. Position the tractor to the blade with the 3-point lift arms positioned between the respective set of blade A-frame lift lugs. **Note:** Set the 3-point lift control to "Position Control" so that the lift arms maintain a constant height when attaching the blade. See the tractor Operator's Manual for correct settings when attaching 3-point equipment.
3. Turn off the tractor engine, set the parking brake, place the tractor in park, and dismount.
4. One lift arm at a time, align arm end hole between the set of holes of A-frame lift lugs. Insert hitch pin through the lug and arm holes and insert retaining pin into hitch pin. Walk around to opposite side and repeat procedure for remaining lift arm and hitch pin.
5. Extend or retract the 3-point top link to align its end hole with the holes of the blade's top link. Insert the top link pin and retain with hairpin.
6. Adjust any lower link check chains, guide blocks, or sway blocks to prevent the blade from swaying side to side and possible contact with tractor rear tires.



Never work under the Implement, the framework, or any lifted component unless the Implement is securely supported or blocked up to prevent sudden or inadvertent falling which could cause serious injury or even death. (SG-14)



6.2 Attaching the 35/50/70 Series Blade to Tractor

The blade should be placed on level ground.

Place the tractor rockshaft control in "position control" (non-floating) for attaching and detaching the rear mounted blade. "Draft control" or "position control" can be used while operating.

Back the tractor until the ends of the lift arms can be attached to the lift points on the implement. Secure the lift arms to the mast with pins and presto pins provided.

Attach the center link to the top of the mast and adjust so that the blade will be level in the operating position.

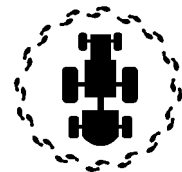
OPERATION

7. PRE-OPERATION INSPECTION AND SERVICE

Before each use, a pre-operation inspection and service of the implement and tractor must be performed. This includes routine maintenance and scheduled lubrication, inspecting that all safety devices are equipped and functional, and performing needed repairs. DO NOT operate the unit if the pre-operation inspection reveals any condition affecting safe operation. Perform repairs and replacement of damaged and missing parts as soon as noticed. By performing a thorough pre-operation inspection and service, valuable down time and repair cost can be avoided. *OPS-U-0029*



Periodically inspect all moving parts for wear and replace when necessary with authorized service parts. Look for loose fasteners, worn or broken parts, and leaky or loose fittings. Make sure all pins have cotter pins and washers. Serious injury may occur from not maintaining this machine in good working order. (SG-21)



7.1 Tractor Pre-Operation Inspection/Service

Refer to the tractor operator's manual to ensure a complete pre-operation inspection and scheduled service is performed according to the manufacturers recommendations. The following are some of the items that require daily service and inspection:

- Tire condition/air pressure
- Wheel lug bolts
- Steering linkage
- PTO shield
- SMV sign is clean and visible
- Tractor's lights are clean and functional
- Tractor Seat belt is in good condition
- Tractor ROPS is in good condition
- ROPS is in the raised position
- No tractor oil leaks
- Radiator free of debris
- Engine oil level and condition
- Engine coolant level and condition
- Power brake fluid level
- Power steering fluid level
- Fuel condition and level
- Sufficient lubrication at all lube points
- Air filter condition *OPS-U-0030*



OPERATION

7.2 Blade Pre-Operation Inspection/Service

Before each blade use, a complete inspection and service is required to ensure the blade is in a good and safe working condition. Damaged and/or broken parts should be repaired and/or replaced immediately. To ensure the blade is ready for operation, conduct the following. *OPS- 0020_A*

The operator's manual and safety signs affixed on the unit contain important instructions on the safe and proper use of the equipment. Maintain these important safety features on the implement in good condition to ensure the information is available to the operator at all times.

- Ensure the manual canister is secured to the equipment with the operator's manual inside.
- Ensure all safety signs are in place and legible. Replace missing, damaged, and illegible decals. *OPS-U- 0011*



OPERATION

OPERATION

Blade & Grader Blade PRE-OPERATION Inspection



Blade ID#: _____ Make: _____

Date: _____ Shift: _____



Before conducting the inspection, make sure the tractor engine is off, all rotation has stopped and the tractor is in park with the parking brake engaged. Make sure the blade is resting on the ground or securely blocked up and all hydraulic pressure has been relieved.

OPERATION

Item	Condition at Start of Shift	Specific Comments if not O.K.
The Operator's Manual is in the Canister.		
All Safety Decals are in place and legible.		
The Hitch connection pins are properly retained.		
There are no cracks in Hitch.		
All frame bolts are in place and tight.		
The blade swing, angle & tilts pins are properly lubricated and retained.		
The Blade edge is clear of mud and debris.		
The blade edge attachments bolts are in place and tight.		
The blade edge is not chipped, cracked or bent.		
The Storage Stands are in place & in good condition.		
The skid shoes are in good condition.		
The scarifier shanks are properly retained. (If applicable)		
The scarifier points are in good condition. (If applicable)		

Operator's Signature: _____

DO NOT OPERATE an UNSAFE TRACTOR or IMPLEMENT

OPERATION

Tractor PRE-OPERATION Inspection



Tractor ID# _____ Make _____

Date: _____ Shift _____



Before conducting the inspection, make sure the tractor engine is off, all rotation has stopped and the tractor is in park with the parking brake engaged. Make sure the mower is resting on the ground or securely blocked up and all hydraulic pressure has been relieved.

OPERATION

Item	Condition at Start of Shift	Specific Comments if not O.K.
The flashing lights function properly		
The SMV Sign is clean and visible		
The tires are in good condition with proper pressure		
The wheel lug bolts are tight		
The tractor brakes are in good condition		
The steering linkage is in good condition		
There are no visible oil leaks		
The hydraulic controls function properly		
The ROPS or ROPS Cab is in good condition		
The seatbelt is in place and in good condition		
The 3-point hitch is in good condition		
The drawbar pins are securely in place		
The PTO master shield is in place		
The engine oil level is full		
The brake fluid level is full		
The power steering fluid level is full		
The fuel level is adequate		
The engine coolant fluid level is full		
The radiator is free of debris		
The air filter is in good condition		

Operator's Signature: _____

DO NOT OPERATE an UNSAFE TRACTOR or MOWER

OPERATION

8. DRIVING THE TRACTOR AND IMPLEMENT

Safe tractor transport requires the operator possess a thorough knowledge of the model being operated and precautions to take while driving with an attached implement. Ensure the tractor has the capacity to handle the weight of the implement and the tractor operating controls are set for safe transport. To ensure safety while driving the tractor with an attached implement, review the following. *OPS-U- 0012*



This Implement may be wider than the Tractor. Be careful when operating or transporting this equipment to prevent the Implement from running into or striking sign posts, guard rails, concrete abutments or other solid objects. Such an impact could cause the Implement and Tractor to pivot violently resulting in loss of steering control, serious injury, or even death. Never allow the Implement to contact obstacles. (S3PT-12)



Transport only at speeds where you can maintain control of the equipment. Serious accidents and injuries can result from operating this equipment at high speeds. Understand the Tractor and Implement and how it handles before transporting on streets and highways. Make sure the Tractor steering and brakes are in good condition and operate properly.



Before transporting the Tractor and Implement, determine the proper transport speeds for you and the equipment. Make sure you abide by the following rules:

Test the tractor at a slow speed and increase the speed slowly. Apply the Brakes smoothly to determine the stopping characteristics of the Tractor and Implement. As you increase the speed of the Tractor the stopping distance increases. Determine the maximum transport speed not to exceed 20 mph (30 kph) for transporting this equipment.

Test the equipment at a slow speed in turns. Increase the speed through the turn only after you determine that the equipment can be operated at a higher speed. Use extreme care and reduce your speed when turning sharply to prevent the tractor and implement from turning over. Determine the maximum turning speed for you and this equipment before operating on roads or uneven ground.

Only transport the Tractor and Implement at the speeds which allow you to properly control the equipment.

Be aware of the operating conditions. Do not operate the Tractor with weak or faulty brakes or worn tires. When operating down a hill or on wet or rain slick roads, the braking distance increases: use extreme care and reduce your speed. When operating in traffic always use the Tractor's flashing warning lights and reduce your speed. Be aware of traffic around you and watch out for the other guy. (SG-19)



OPERATION

8.1 Starting the Tractor

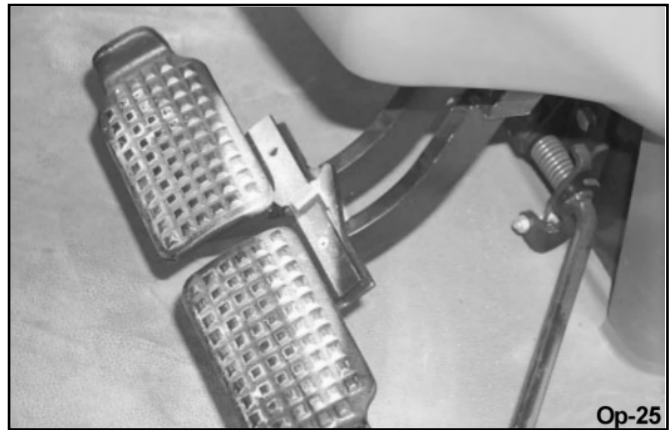
The procedure to start the tractor is model specific. Refer to the tractor operator's manual for starting procedures for your particular tractor. Consult an authorized dealer if the starting procedure is unclear. Ensure the 3-point control lever is in the lowered position and the PTO is disengaged before starting the tractor. OPS-U-0033



8.2 Brake and Differential Lock Setting

Make sure the tractor brakes are in good operating condition. Tractor brakes can be set to operate independently allowing single rear wheel braking action or locked together to provide simultaneous rear wheel braking. FOR MOST DRIVING AND OPERATING CONDITIONS, THE BRAKE PEDALS SHOULD BE LOCKED TOGETHER TO PROVIDE THE MOST EFFECTIVE BRAKING ACTION.

Always disengage the tractor differential lock when turning. When engaged the differential lock will prevent or limit the tractor from turning. During normal cutting conditions, locking the differential provides no benefit and should not be used. OPS-U-0013



⚠️ WARNING

Be aware of the operating conditions. Do not operate the Tractor with weak or faulty brakes. When operating down a hill or on wet or rain slick roads, the braking distance increases; use extreme care and reduce your speed in these conditions. When operating in traffic, always use the Tractor's flashing warning lights and reduce your speed. Be aware of traffic around you and watch out for the other guy.

OPERATION

8.3 Driving the Tractor and Blade

Start off driving at a slow speed and gradually increase your speed while maintaining complete control of the tractor and blade. Moving slowly at first will also prevent the tractor from rearing up and loss of steering control. The tractor should never be operated at speeds that cannot be safely handled or which will prevent the operator from stopping quickly during an emergency. If the power steering or engine ceases operating, stop the tractor immediately as the tractor will be difficult to control.

Perform turns with the tractor and blade at slow speeds to determine how the tractor with an attached implement handles a turn. Determine the safe speed to maintain proper control of the tractor when making turns. When turning with an implement, the overall working length of the unit is increased. Allow additional clearance for the blade when turning.

To avoid overturns, drive the tractor with care and at safe speeds, especially when operating over rough ground, crossing ditches or slopes, and turning corners. Tractor wheel tread spacing should be increased when working on inclines or rough ground to reduce the possibility of tipping.

Use extreme caution when operating on steep slopes. Keep the tractor in a low gear when going downhill. DO NOT coast or free-wheel downhill. *OPS- 0037_A*

9. OPERATING THE TRACTOR AND IMPLEMENT

THE OPERATOR MUST COMPLETELY UNDERSTAND HOW TO OPERATE THE TRACTOR AND IMPLEMENT AND ALL CONTROLS BEFORE ATTEMPTING TO OPERATE. The operator must read and understand the Safety and Operation Sections of the implement and tractor operator's manuals. These manuals must be read and explained to any operator who cannot read. Never allow someone to operate the implement and tractor without complete operating instructions.

Before starting any operation, the operator must become familiar with the area to be worked in and any obstacles and hazards contained within to ensure safety to the operator, bystanders, and equipment. Special attention should be paid to foreign debris, rough terrain, steep slopes, and passersby and animals in the area. *OPS-U- 0015*

9.1 Field Adjustment for the 35 Series Blade

The ditching angle of the blade can be adjusted by removing the index pin from the rear of the mount assembly. Adjust blade to desired angle and replace index pin.

The blade can be offset 12" to either side by alternating the position where the blade is bolted to the support mount.

To change the operation angle, remove the index pin from the mast assembly and pivot the blade to the desired position, either forward or reversed. Replace index pin and secure with hair pin.

Care should be exercised during use of the blade to prevent hanging the ends on immovable objects or otherwise use the implement under conditions beyond its designed capacity.



During Blade Adjustment: Keep body, hands and feet clear of blade. Keep fingers clear of holes.



When equipment is transported, use necessary devices required by local regulations for adequate warning to operators of other vehicles.

OPERATION



Additional tractor front ballast may be needed for stable operation and transport of implement. See tractor operator's manual for recommended weights. It is recommended that tractor be equipped with rollover protective system (ROPS).

9.2 Field Adjustment for the 50 Series Blade

ANGLING - The design of these blades permits the cutting edge to be angled for both forward and backward operation. To change the angle, remove the angle index pin from the frame. Blade can then be rotated to the desired position and the index pin replaced.

OFF SET - Offsetting the blade can be accomplished by removing the adjusting pin and pivoting the mainframe boom to the desired position. Replace index pin and secure with hair pin.

TILT - The blade may be tilted left or right by removing the tilt index pin and moving the blade to the desired position. Replace the pin in appropriate hole.

The pitch of the blade may be adjusted by lengthening or shortening the top link on the tractor 3-point lift.

Care should be exercised during use of the blade to prevent hanging the ends on immovable objects or otherwise use the implement under conditions beyond its designed capacity. Back fills may be made by reversing the moldboard and pushing instead of pulling.



During Blade Adjustment: Keep body, hands and feet clear of blade. Keep fingers clear of holes.



When equipment is transported, use necessary devices required by local regulations for adequate warning to operators of other vehicles.



Additional tractor front ballast may be needed for stable operation and transport of implement. See tractor operator's manual for recommended weights. It is recommended that tractor be equipped with rollover protective system (ROPS).

9.3 Field Adjustment for the 70 Series Blade

ANGLING - The design of these blade permits the cutting edge to be angled for both forward and backward operation. To change the angle, remove the angle index pin from the frame. Blade can then be rotated to the desired position and the index pin replaced.

OFFSET - Offsetting the blade can be accomplished by the use of a pin jack which has adjustment holes for different positions, or a ratchet jack which gives infinite adjustment, or a hydraulic cylinder. Lugs are provided on both sides of the boom so that it may be positioned to either the right or left side.

TILT - The blade may be tilted left or right by removing the tilt adjustment and moving the blade to the desired position. Replace the pin in appropriate hole.



During Blade Adjustment: Keep body, hands and feet clear of blade. Keep fingers clear of holes.

The pitch of the blade may be adjusted by lengthening or shortening the top link on the tractor 3-point lift.

OPERATION - Care should be exercised during use of the blade to prevent hanging the ends on immovable objects or otherwise use the implement under conditions beyond its designed capacity. Back fills may be made by reversing the moldboard and pushing instead of pulling.



When equipment is transported, use necessary devices required by local regulations for adequate warning to operators of other vehicles.



Additional tractor front ballast may be needed for stable operation and transport of implement. See tractor operator's manual for recommended weights. It is recommended that tractor be equipped with rollover protective system (ROPS).

OPERATION

9.4 Operating the Blade

Only operate the blade from the tractor operator's seat with the seatbelt securely fastened. The tractor must be equipped with a ROPS in the raised position or a ROPS cab.

Ditching (V-Type Ditch)

Tilt the Moldboard to the desired angle (15 degrees or less) down on the right (left).

Adjust the Moldboard Pivot and Mainframe Swing to place the right (left) corner of the Blade directly behind the right (left) rear tire with a 45 degree to 60 degree angle between the Blade and a line parallel to the rear Axle. The combined adjustments of the Moldboard Pivot and Mainframe Swing will give this angle. For example, to obtain a 45 degree Blade Angle, rotate the Moldboard 15 degrees and swing the Mainframe 30 degrees, or rotate the Moldboard 30 degrees and swing the Mainframe 15 degrees depending on tractor tire spacing.

For light ditching, cleaning out ditches, and snow removal, operate the tractor at slow speeds, and be careful not to hit any hidden objects. Operating with a light load on the Blade or at high speeds will subject the Blade to severe damage from the impact load if a solid object is hit.

NOTE: *Never rotate Blade Tilt, Carrier Pivot, or Mainframe Pivot while Blade is under load. This will cause excessive load on pins and shafts which will result in damage to Blade. Remove load from Blade and then rotate.*

To refill a ditch, offset the mainframe to the right (left) and rotate the Moldboard to push the dirt into the ditch while traveling forward.

Utility

To clean close to a fence or barn, offset the Moldboard to the right or left to extend the Blade beyond the tractor tire. Be careful not to hang the Blade Tip as this could result in damage to the Blade or Moldboard. For smoothing out loose soil, a fine finish can be obtained by pushing the soil with the back of the Moldboard.

Grading

Set the Moldboard Pivot to the desired angle, then set the blade on the ground. Control the depth of cut by adjusting the tractor's 3-point arms to the desired position.

Backfilling

The Moldboard can be manually rotated 180 degrees for backfilling operations. This position requires a careful setting of the Top Link allowing a Blade angle which does not tend to bury itself, but move across the top of the ground. Backfilling is a very critical operation because the Blade tends to dig into the ground. The backfilling operation should be performed with the Mainframe straight behind the tractor with the Blade set in the center position (perpendicular to the Mainframe). The work should be kept in the center of the Blade. Avoid concentrated loads on the end of the Blade. Do not ram into a load at any time as this multiplies the forces several times normal and could result in damage to your Blade. Perform all backfilling operations at slow speeds to prevent damage if the Blade hits an object. Moving snow with the Blade in the backfill position is a very delicate operation and should be performed with care. It is very easy to hit hidden objects when moving the light snow. It is also very easy to operate the Blade at too high a speed, with resulting damage.

NOTE: *The warranty shall not apply to damage caused by misuse, abuse, or contact with obstructions.*

OPERATION

9.5 Shutting Down the Implement

Park the tractor on a level surface, place the transmission in park or neutral and apply the parking brake, lower the attached implement to the ground, shut down the engine, remove the key, and wait for all motion to come to a complete stop before exiting the tractor. OPS-BL- 0002



10. DISCONNECTING THE BLADE FROM THE TRACTOR

Before disconnecting the blade, all movement must cease. Move the blade to a level storage location and lower the unit to the ground. If the blade is not resting securely on the ground, block the blade up securely before attempting to disconnect it from the tractor.

Use extreme care to keep feet and hands from under the blade and clear of any pinch points. OPS- 0051_A



Always shut the Tractor completely down, place the transmission in park, and set the parking brake before you or anyone else attempts to connect or disconnect the Implement and Tractor hitches. (S3PT-15)

10.1 Detaching 35/50/70 Series Blade from Tractor

Lower the blade to the ground with rockshaft control in position control. Remove top link from mast, disconnect hitch arms from bottom pins and pull tractor away from blade.



Use optional jackstand or other suitable material to support and prevent mast boom end from falling when detaching blade. Keep body, hands and feet clear of implement.

OPERATION

11. BLADE STORAGE

Properly preparing and storing the blade at the end of the season is critical to maintaining its appearance and to help ensure years of dependable service. The following are suggested storage procedures:

- Thoroughly clean all debris off the blade to prevent damage from rotting grass and standing water.
- Lubricate all blade grease points and fill gearbox oil levels as detailed in the maintenance section.
- Tighten all bolts and pins to the recommended torque.
- Check the blade for worn and damaged parts. Perform repairs and make replacements immediately so that the blade will be ready for use at the start of the next season.
- Store the blade in a clean, dry place with the blade resting securely on blocks or at ground level.



Use spray touch-up enamel where necessary to prevent rust and maintain the appearance of the blade.



Never allow children to play on or around Tractor or Implement. Children can slip or fall off the Equipment and be injured or killed. Inadvertent contact with controls can cause the Implement to shift or fall crushing themselves or others. (SG-25)

12. TRANSPORTING THE TRACTOR AND IMPLEMENT

Inherent hazards of operating the tractor and implement and the possibility of accidents are not left behind when you finish working in an area. Therefore, the operator must employ good judgement and safe operation practices when transporting the tractor and implement between locations. By using good judgement and following safe transport procedures, the possibility of accidents while moving between locations can be substantially minimized. OPS-U-0017



Never allow children or other persons to ride on the Tractor or Implement. Falling off can result in serious injury or death. (SG-10)

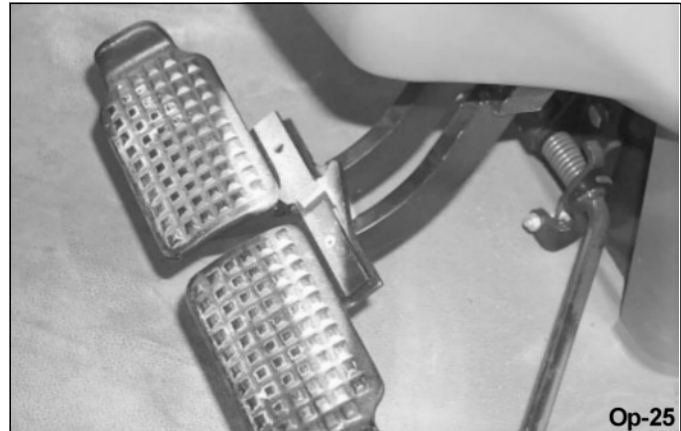


When transporting, only raise the blade enough to clear ground obstacles to prevent tipping, especially when traveling through rough terrain.

OPERATION

Before transporting the tractor on a public roadway or boarding a trailer for transport, the tractor brake pedals should be locked together. Locking the pedals ensures that both wheels brake simultaneously while stopping, especially when making an emergency stop.

Use extreme caution and avoid hard applications of the tractor brakes when towing heavy loads at road speeds. Never tow the implement at speeds greater than 20 MPH (32 kph). OPS-U-0018



12.1 Transporting on Public Roadways

Extreme caution should be used when transporting the tractor and implement on public roadways. The tractor must be equipped with all required safety warning features including a SMV emblem and flashing warning lights to alert drivers of the tractor's presence. Remember that roadways are primarily designed for automotive drivers and most drivers will not be looking out for you, therefore, you must look out for them. Check your side view mirrors frequently and remember that vehicles will approach quickly because of the tractor's slower speed. Be extremely cautious when the piece of equipment that you are towing is wider than the tractor tire width and/or extends beyond your lane of the road. OPS-BL-0003



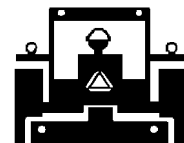
Only tow the Implement behind a properly sized and equipped Tractor which exceeds the weight of the Implement by at least 20%. DO NOT tow the Implement behind a truck or other type of vehicle. Never tow the Implement and another Implement connected in tandem. Never tow the Implement at speeds over 20 MPH. (STI-06)



Never allow children or other persons to ride on the Tractor or Implement. Falling off can result in serious injury or death. (SG-10)



Make certain that the "Slow Moving Vehicle" (SMV) sign is installed in such a way as to be clearly visible and legible. When transporting the Equipment use the Tractor flashing warning lights and follow all local traffic regulations. (SG-6)



OPERATION

OPERATION

The SMV (Slow-Moving Vehicle) emblem is universal symbol used to alert drivers of the presence of equipment traveling on roadways at a slow speed. SMV signs are a triangular bright orange with reflective red trim for both easy day and night visibility. Make sure the SMV sign is clean and visible from the rear of the unit before transporting the tractor and implement on a public roadway. Replace the SMV emblem if faded, damaged, or no longer reflective. *OPS-U- 0020*



Make sure that all tractor flashing warning lights, headlights, and brake/tail lights are functioning properly before proceeding onto public roads. While newer model tractors have plenty of lighting to provide warning signals and operating lighting, most older models are only equipped with operating lights. Consult an authorized tractor dealer for lighting kits and modifications available to upgrade the lighting on older tractor models. *OPS-U- 0021*



When operating on public roads, have consideration for other road users. Pull to the side of the road occasionally to allow all following traffic to pass. Do not exceed the legal speed limit set in your country for agricultural tractors. Always stay alert when transporting the tractor and implement on public roads. Use caution and reduce speed if other vehicles or pedestrians are in the area. *OPS-B- 0022*



OPERATION

Reduce speed before turning or applying the brakes. Ensure that both brake pedals are locked together when operating on public roads. *OPS-U- 0023*



12.2 Hauling the Tractor and Implement

Before transporting a loaded tractor and implement, measure the height and width dimensions and gross weight of the complete loaded unit. Ensure that the load will be in compliance with the legal limits set for the areas that will be traveled through. *OPS-U- 0024*



Use adequately sized and rated trailers and equipment to transport the tractor and implement. Consult an authorized dealer to determine the proper equipment required. Using adequately sized chains, heavy duty straps, cables and/or binders, securely tie down both the front and rear of the tractor utilizing the proper tie down locations as specified by the tractor manufacturer. *OPS-U- 0025*



OPERATION

OPERATION

Arrange the chains so that when tightened, the chains are pulling downward and against themselves. Carefully tighten the securing chains or other fasteners using boomers or binders to apply maximum tension. Use extreme care when attaching and removing the securing devices as the extreme tension involved when released has the potential to inflict serious injury.

While hauling the tractor and implement, make occasional stops to check that the tractor and implement have not moved or shifted and that the securing chains have maintained tension. If during transport a hard braking, sharp turning, or swerving action was performed, stop at the next safe location to inspect the security of the load. *OPS-U- 0026*



OPERATION

13. Troubleshooting Guide

Problem	Possible Cause	Remedy
Shearing M/B Carrier	Lack of lubrication	Lubricate Pivot Pin
Pivot Pin Bolt	Bolt not tightened properly	Tighten Bolt to proper torque
Bent Moldboard	Small curve is normal from weld pull Hitting hidden objects	Can be removed but will not affect operation Know soil conditions, keep speed to a minimum.
Blade will not penetrate soil	Cutting edge dull Blade set to straight Soil too hard	Replace Cutting edge Increase Top Link length Use scarifier to loosen soil
A-Frame bent	Hitting hidden objects in the backfill position	Use slow speed when in unknown soil conditions
Moldboard digging in too much	Blade pitch excessive Soft ground.	Adjust Top Link Install Skid Shoes.
Unable to hold level ground	Tractor Draft Control lifting Blade	Set Tractor Draft Control

MAINTENANCE SECTION

MAINTENANCE

MAINTENANCE

Proper Torque For Fasteners

The chart lists the correct tightening torque for fasteners. When bolts are to be tightened or replaced, refer to this chart to determine the grade of bolts and the proper torque except when specific torque values are assigned in manual text.

Recommended Torque in Foot Pounds Unless Otherwise Stated in the Manual*


NOTE: These values apply to fasteners as received from supplier, dry or when lubricated with normal engine oil. They do not apply if special graphited or molydisulphide greases or other extreme pressure lubricants are used. This applies to both UNF fine and UNC coarse threads.

TORQUE SPECIFICATIONS - DRY TORQUE

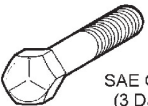
Proper torque for American fasteners.
Recommended Torque in Foot Pounds (Newton Meters).*

AMERICAN

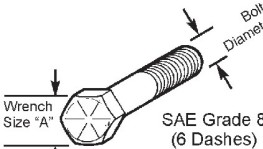
Bolt Head Markings




SAE Grade 2
(No Dashes)



SAE Grade 5
(3 Dashes)



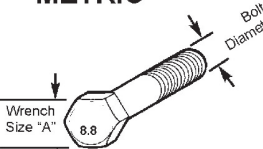
SAE Grade 8
(6 Dashes)



All Capscrews
SAE Grade 8

WRENCH SIZE (IN.) "A"	BOLT DIAMETER (IN.) "B" AND THREAD SIZE	SAE GRADE 2	SAE GRADE 5	SAE GRADE 8
7/16	1/4 - 20 UNC	6 (7)	8 (11)	12 (16)
7/16	1/4 - 28 UNF	6 (8)	10 (13)	14 (18)
1/2	5/16 - 18 UNC	11 (15)	17 (23)	25 (33)
1/2	5/16 - 24 UNF	13 (17)	19 (26)	27 (37)
9/16	3/8 - 16 UNC	20 (27)	31 (42)	44 (60)
9/16	3/8 - 24 UNF	23 (31)	35 (47)	49 (66)
5/8	7/16 - 14 UNC	32 (43)	49 (66)	70 (95)
5/8	7/16 - 20 UNF	36 (49)	55 (75)	78 (106)
3/4	1/2 - 13 UNC	49 (66)	76 (103)	106 (144)
3/4	1/2 - 20 UNF	55 (75)	85 (115)	120 (163)
7/8	9/16 - 12 UNC	70 (95)	109 (148)	153 (207)
7/8	9/16 - 18 UNF	79 (107)	122 (165)	172 (233)
15/16	5/8 - 11 UNC	97 (131)	150 (203)	212 (287)
15/16	5/8 - 18 UNF	110 (149)	170 (230)	240 (325)
1-1/8	3/4 - 10 UNC	144 (195)	266 (360)	376 (509)
1-1/8	3/4 - 16 UNF	192 (260)	297 (402)	420 (569)
1-5/16	7/8 - 9 UNC	166 (225)	430 (583)	606 (821)
1-5/16	7/8 - 14 UNF	184 (249)	474 (642)	668 (905)
1-1/2	1 - 8 UNC	250 (339)	644 (873)	909 (1232)
1-1/2	1 - 12 UNF	274 (371)	705 (955)	995 (1348)
1-1/2	1 - 14 UNF	280 (379)	721 (977)	1019 (1381)
1-11/16	1-1/8 - 7 UNC	354 (480)	795 (1077)	1288(1745)
1-11/16	1-1/8 - 12 UNF	397 (538)	890 (1206)	1444 (1957)
1-7/8	1-1/4 - 7 UNC	500 (678)	1120 (1518)	1817 (2462)
1-7/8	1-1/4 - 12 UNF	553 (749)	1241 (1682)	2013 (2728)
2-1/16	1-3/8 - 6 UNC	655 (887)	1470 (1992)	2382 (3228)
2-1/16	1-3/8 - 12 UNF	746 (1011)	1672 (2266)	2712 (3675)
2-1/4	1-1/2 - 6 UNC	870 (1179)	1950 (2642)	3161 (4283)
2-1/4	1-1/2 - 12 UNF	979 (1327)	2194 (2973)	3557 (4820)

METRIC



Wrench Size "A" Bolt Diameter "B"

Numbers appearing on bolt heads indicate ASTM class.

*Use 75% of the specified torque value for plated fasteners. Use 85% of the specified torque values for lubricated fasteners.

Proper torque for Metric fasteners. Recommended torque in Foot Pounds (Newton Meters).*					
WRENCH SIZE (mm) "A"	BOLT DIA. (mm) "B"	ASTM 4.6	ASTM 8.8	ASTM 9.8	ASTM 10.9
8	5	1.8 (2.4)		5.1 (6.9)	6.5 (8.8)
10	6	3 (4)		8.7 (12)	11.1 (15)
13	8	7.3 (10)		21.1 (29)	27 (37)
16	10	14.5 (20)		42 (57)	53 (72)
18	12	25 (34)	74 (100)	73 (99)	93 (126)
21	14	40 (54)	118 (160)	116 (157)	148 (201)
24	16	62 (84)	167 (226)	181 (245)	230 (312)
30	20	122 (165)	325 (440)		449 (608)
33	22		443 (600)		611 (828)
36	24	211 (286)	563 (763)		778 (1054)
41	27		821 (1112)		1138 (1542)
46	30	418 (566)	1119 (1516)		1547 (2096)

Mnt-B-0005

PARTS SECTION

PARTS

Model 3505, 5' Blade
 Model 3506, 6' Blade
 Model 3507, 7' Blade



ITEM NO	PART NO	QTY	DESCRIPTION
1	95155	1	Cutting Edge, 60"
	95157	1	Cutting Edge, 72"
	95158	1	Cutting Edge, 84"
2	20475	5/6/7	Plow Bolt, 5/8" x 2"
3	44336	5/6/7	Hex Nut, 5/8"
4	50050127	1	Model Decal, 3505
	50050129	1	Model Decal, 3506
	50050131	1	Model Decal, 3507
5	53315	1	Amber Reflector (Front)
6	50031213	1	Red Reflector (Rear)
7	99342	2	Hitch Pin, Cat I & II
8	-----	2	Lockwasher, 7/8"
9	-----	2	Hex Nut, 7/8" NF
10	15598	A/R	Locknut, 5/8"

ITEM NO	PART NO	QTY	DESCRIPTION
11	-----	A/R	Capscrew, 5/8" x 1-1/2"
12	2850005	2	Lynch Pin
13	50039219	1	Bent Tilt Pin, 3/4" x 4"
14	15521	1	Locknut, 1-1/4"
15	50039207	1	Index Pin, 3/4" x 6-1/2"
16	54691	2	Rhino Decal
17	89141	1	Caution Decal
18	90959	1	Warning Decal
19	50005860	2	Cotter Pin, .148"

PARTS

Model 5006, 6' Blade
Model 5007, 7' Blade

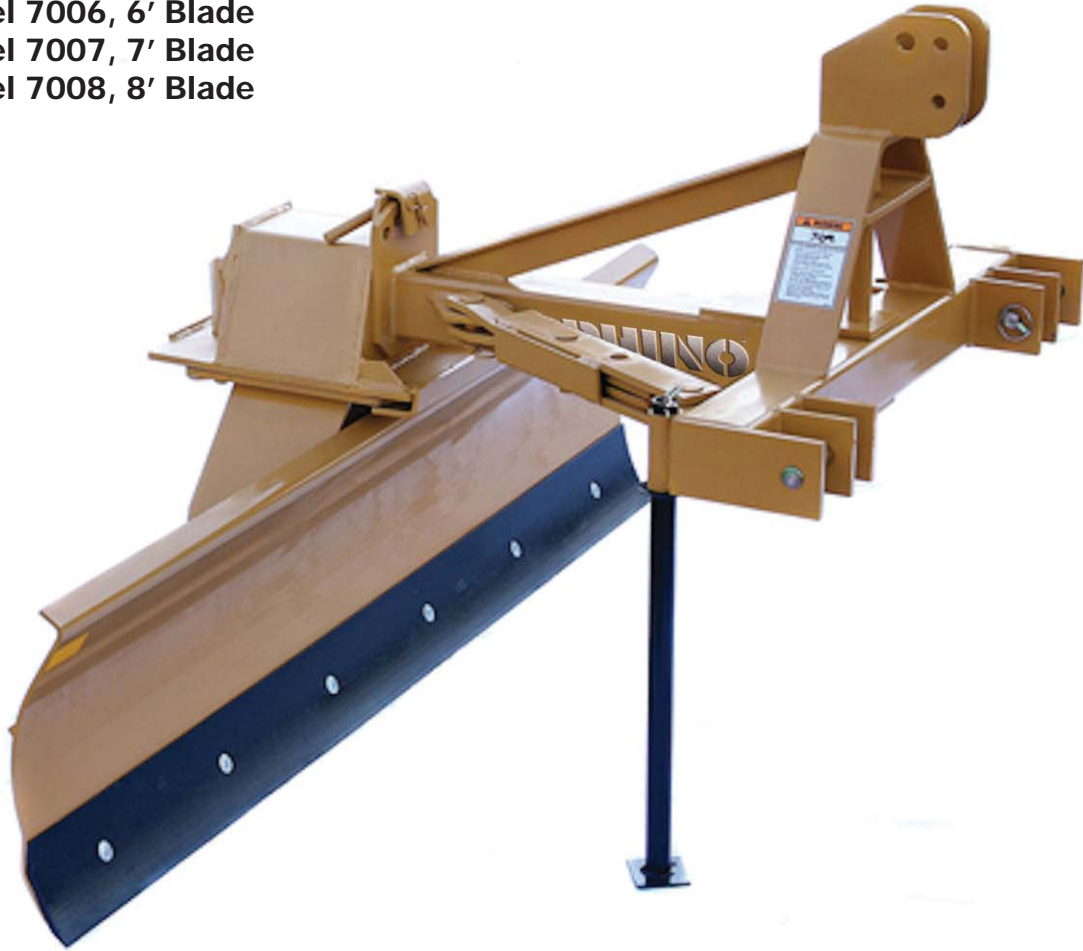


ITEM NO	PART NO	QTY	DESCRIPTION
1	95157	1	Cutting Edge, 72"
	95158	1	Cutting Edge, 84"
2	20475	6/7	Plow Bolt, 5/8" x 2"
3	44336	6/7	Hex Nut, 5/8"
4	50050133	1	Model Decal, 5006
	50050135	1	Model Decal, 5007
5	53315	1	Amber Reflector (Front)
6	50031213	1	Red Reflector (Rear)
7	50039215	1	Pin, A-Frame, 1-1/4" x 20"
8	95121	2	Pull Pin, 7/8" x 4-1/4"
9	15663	1	Cotter Pin, 5/16" x 2-1/2"
10	50039221	1	Hair Pin, .177 x 3-11/16"
11	21020820	1	Cotter Pin 1/4" x 2"
12	50039222	1	Tilt Pivot Pin 1-1/4" x 8-3/8"

ITEM NO	PART NO	QTY	DESCRIPTION
13	50044146	A/R	Capscrew, 5/8" x 1-1/2"
12	2850005	2	Lynch Pin
13	50039219	1	Bent Tilt Pin, 3/4" x 4"
14	15521	1	Locknut, 1-1/4"
15	50039207	1	Index Pin, 3/4" x 6-1/2"
16	54691	2	Rhino Decal
17	89141	1	Caution Decal
18	90959	1	Warning Decal
19	50005860	4	Cotter Pin, .148"

PARTS

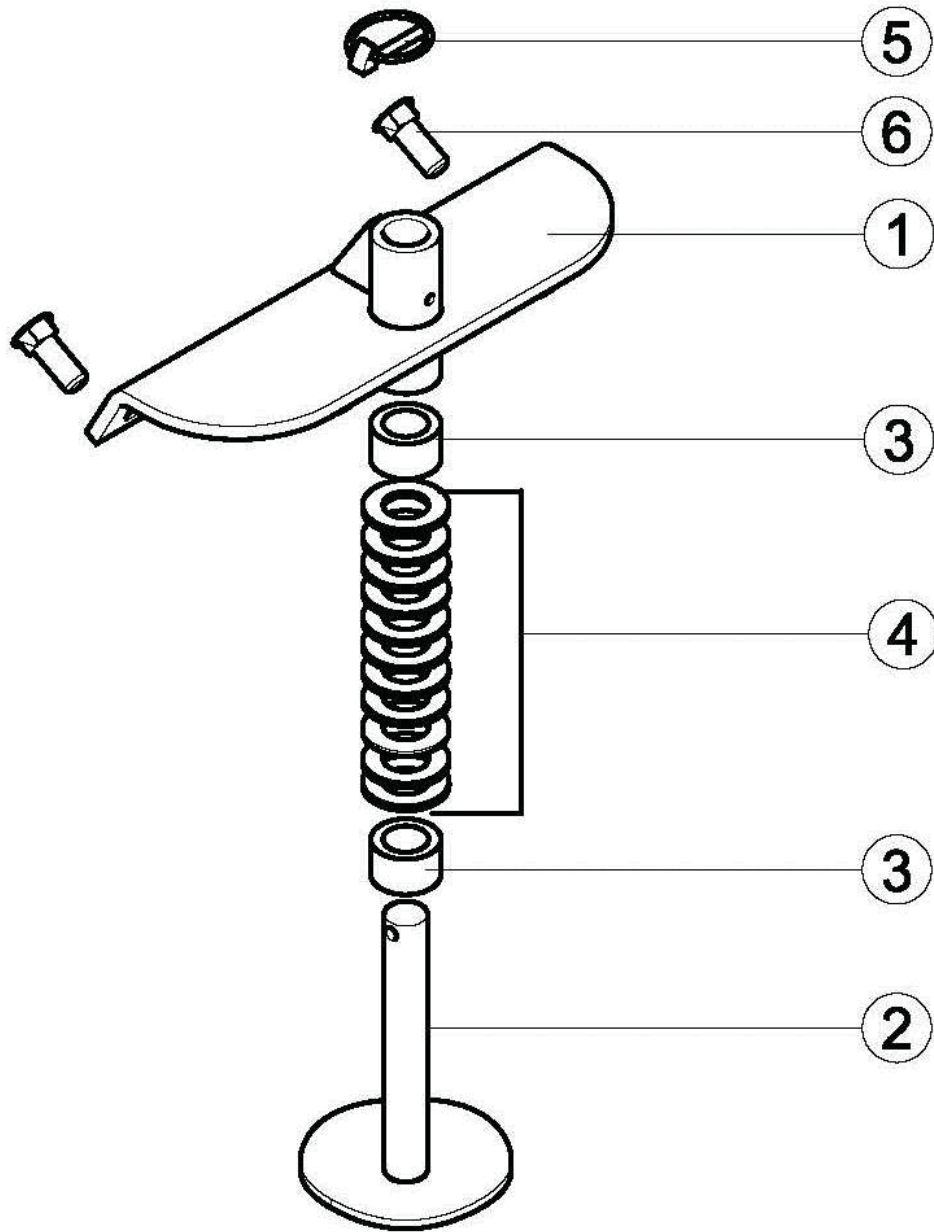
Model 7006, 6' Blade
 Model 7007, 7' Blade
 Model 7008, 8' Blade



ITEM NO	PART NO	QTY	DESCRIPTION
	95155	1	Cutting Edge, 60"
1	95157	1	Cutting Edge, 72"
	95158	1	Cutting Edge, 84"
	99332	1	Cutting Edge, 96"
2	20475	6/7/8	Plow Bolt, 5/8" x 2"
3	44336	6/7/8	Hex Nut, 5/8"
4	50050137	1	Model Decal, 7006
	50050139	1	Model Decal, 7007
	50050141	1	Model Decal, 7008
5	53315	1	Amber Reflector (Front)
6	50031213	1	Red Reflector (Rear)
7	99342	2	Hitch Pin, Cat I & II
8	-----	2	Lockwasher, 7/8"
9	-----	2	Hex Nut, 7/8" NF
10	15598	A/R	Locknut, 5/8"

ITEM NO	PART NO	QTY	DESCRIPTION
11	2850005	2	Lynch Pin
12	50039219	1	Bent Tilt Pin, 3/4" x 4"
13	15521	1	Locknut, 1-1/4"
14	50039207	1	Index Pin, 3/4" x 6-1/2"
15	54691	2	Rhino Decal
16	89141	1	Caution Decal
17	90959	1	Warning Decal
18	50005860	4	Cotter Pin, .148"
19	50024198	1	Capscrew, Modified, 1-1/4" x 4" Gr 8 Plain
20	99333	1	Pivot Pin
21	50044179	1	Jackstand Assembly
22	50039219	1	Hair Pin, 3/16 x 3-1/2
23	20886	1	Jam Nut, 1-1/4"
24	50026886	1	Pin Jack Assembly
25	99326	1	Pin Jack Male
26	99330	1	Pin Jack, Female
27	50026887	1	Pin, A-Frame, 1-1/4" Painted

PARTS

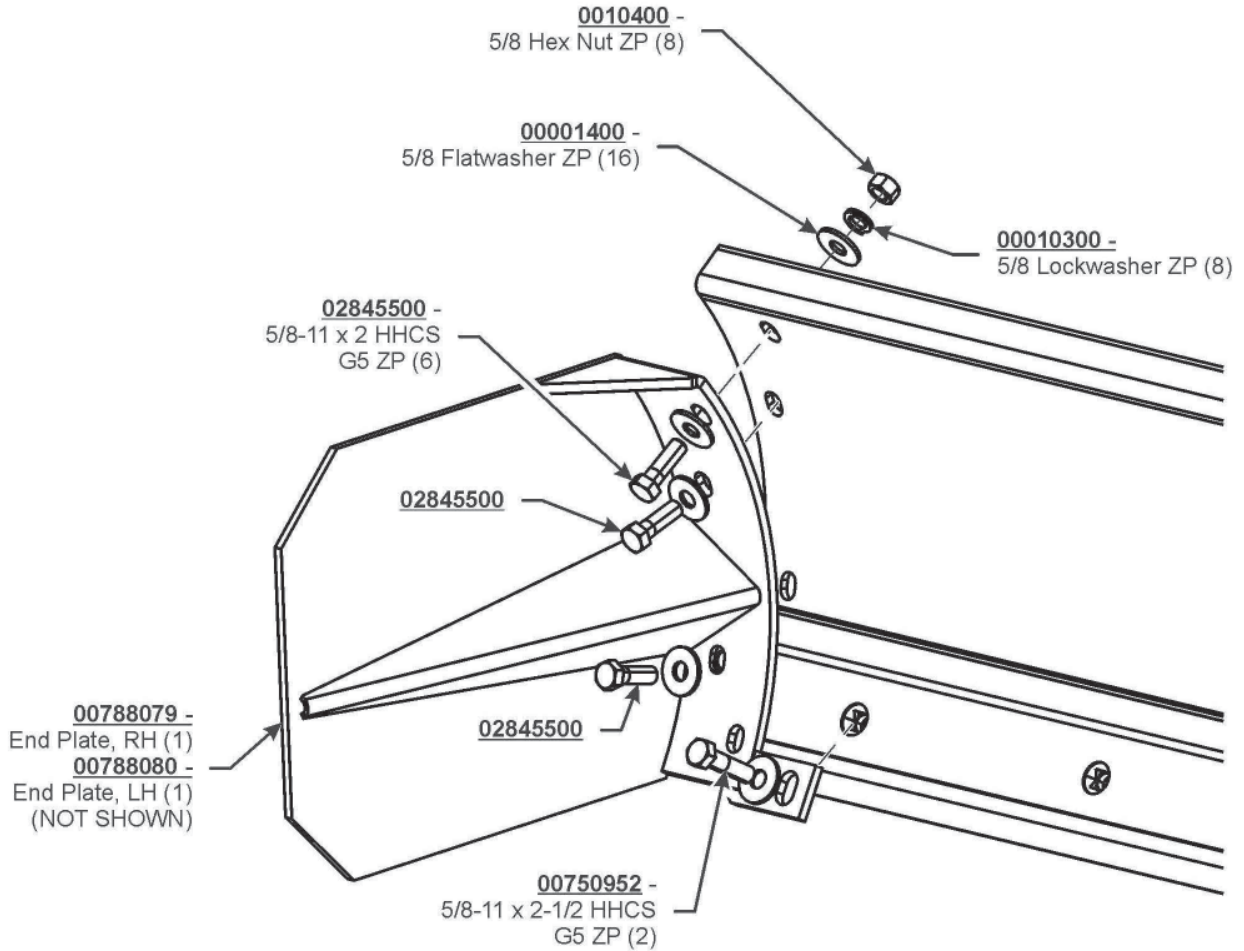


SKID SHOE

ITEM NO	PART NO	QTY	DESCRIPTION
1	50072394	1	Mounting Bracket Weldment
2	50072393	1	Skid Shoe Weldment
3	50072392	2	Spacer, 1"
4	45057BH	11	Washer, SAE, 1"
5	50022926	1	Lynch Pin
6	50072330	2	Plow Bolt, 5/8" x 1-3/4"

PARTS

END PLATE OPTION KIT - FOR MODEL 70 ONLY



ITEM NO	PART NO	QTY	DESCRIPTION
1	00010400	8	Hex Nut, 5/8"
2	00001400	16	Flatwasher, 5/8"
3	00010300	8	Lockwasher, 5/8"
4	02845500	6	5/8-11NC x 2" HHCS
5	00750952	2	5/8-11 x 2-1/2" HHCS
6	00788079	1	End Plate, RH
7	00788080	1	End Plate, LH



TO THE OWNER/OPERATOR/DEALER

To keep your implement running efficiently and safely, read your manual thoroughly and follow these directions and the Safety Messages in this Manual. The Table of Contents clearly identifies each section where you can easily find the information you need.

The OCCUPATIONAL SAFETY AND HEALTH ACT (1928.51 Subpart C) makes these minimum safety requirements of tractor operators:

REQUIRED OF THE OWNER:

1. Provide a Roll-Over-Protective Structure that meets the requirements of this Standard; and
2. Provide Seat belts that meet the requirements of this paragraph of this Standard and SAE J4C; and
3. Ensure that each employee uses such Seat belt while the tractor is moving; and
4. Ensure that each employee tightens the Seat belt sufficiently to confine the employee to the protected area provided by the ROPS

REQUIRED OF THE OPERATOR:

1. Securely fasten seat belt if the tractor has a ROPS.
2. Where possible, avoid operating the tractor near ditches, embankments, and holes.
3. Reduce speed when turning, crossing slopes, and on rough, slick, or muddy surfaces.
4. Stay off slopes too steep for safe operation.
5. Watch where you are going - especially at row ends, on roads, and around trees.
6. Do not permit others to ride.
7. Operate the tractor smoothly - no jerky turns, starts, or stops.
8. Hitch only to the drawbar and hitch points recommended by the tractor manufacturer.
9. When the tractor is stopped, set brakes securely and use park lock, if available.

-
- Keep children away from danger all day, every day...
 - Equip tractors with rollover protection (ROPS) and keep all machinery guards in place...
 - Please work, drive, play and live each day with care and concern for your safety and that of your family and fellow citizens.



**35/50/70 Series
Rear Mounted Blade**

35/50/70 Series -SOM - 04/14
Printed U.S.A

P/N 00789001C