

TO THE OWNER/OPERATOR/DEALER

All implements with moving parts are potentially hazardous. There is no substitute for a cautious, safe-minded operator who recognizes the potential hazards and follows reasonable safety practices. The manufacturer has designed this implement to be used with all its safety equipment properly attached to minimize the chance of accidents.

BEFORE YOU START!! Read the safety messages on the implement and shown in your manual.
Observe the rules of safety and common sense!



DANGER

FAILING TO FOLLOW SAFETY MESSAGES AND OPERATING INSTRUCTIONS CAN CAUSE SERIOUS BODILY INJURY OR EVEN DEATH TO OPERATOR AND OTHERS IN THE AREA.

<p>1.</p> 	<p>2. NO RIDERS. NO CHILDREN OPERATORS.</p> 	<p>3. USE SAFETY SHOES, HARD HAT, SAFETY GLASSES, SEAT BELTS, & ROPS.</p> 	<p>4. BLOCK UP SECURELY BEFORE WORKING UNDER.</p> 
<ol style="list-style-type: none"> 1. Study and understand Operator's Manuals, Safety Signs, and Instructional Decals for tractor & flail mower to prevent misuse, abuse, & accidents. Practice before operating mower in a confined area or near passersby. <ul style="list-style-type: none"> • Learn how to stop engine suddenly in an emergency. Be alert for passersby and especially children. 2. Allow no children on or near implement or tractor. Allow no riders on tractor or implement. Falling off can cause serious injury or death from being run over by tractor or mower or contact with Flail Mower Blades. 3. Operate only with tractor having Roll-Over Protective Structure (ROPS) and with seatbelt fastened securely and snugly to prevent injury and possible death from falling off or tractor overturn. Personal Protective Equipment such as Hard Hat, Safety Glasses, Safety Shoes, and Ear Plugs are recommended. 4. Block up or support raised machine and all lifted components securely before putting hands or feet under or working underneath any lifted component to prevent crushing injury or death from sudden dropping or inadvertent operation of controls. Make certain that area is clear before lowering or folding. 5. Before transporting, put Lift Lever in detent or full-lift position. Install Transport Safety Devices securely on folding implements. Slow down when turning and on hillsides. <ul style="list-style-type: none"> • Install Restrictor in folding circuit to slow down lowering and unfolding if action is faster than is desirable. 6. Make certain that SMV sign, Warning Lights, and Reflectors are clearly visible. Follow local traffic codes. 7. Never operate with Flail Mower or Folding Section raised if passersby, bystanders or traffic are in the area to reduce possibility of injury or death from objects thrown by Blades under Shields or implement structure. 8. Before dismounting, secure flail mower in transport position or lower to ground. <ul style="list-style-type: none"> • Put tractor in park or set brake, disengage PTO, stop engine, remove key, and wait until noise of rotation has ceased to prevent entanglement in rotating parts which may cause injury or death. • Never mount or dismount a moving vehicle. Crushing from run over may cause injury or death. 			
<p>5. TRANSPORT SAFELY, LOCK UP.</p> 	<p>6. USE SMV, LIGHTS, & REFLECTORS.</p> 	<p>7. DO NOT OPERATE WITH MOWER OR WING RAISED.</p> 	<p>8. DO NOT MOUNT OR DISMOUNT WHILE MOVING.</p> 

002369

WARRANTY INFORMATION:

Read and understand the complete Warranty Statement found in this Manual. Fill out the Warranty Registration Form in full and return it within 30 Days. Make certain the Serial Number of the Machine is recorded on the Warranty Card and on the Warranty Form that you retain. The use of "will-fit" parts will void your warranty and can cause catastrophic failure with possible injury or death.

PARTS SECTION

PARTS ORDERING GUIDE

The following instructions are offered to help eliminate needless delay and error in processing purchase orders for the equipment in this section.

1. The Parts Section is prepared in logical sequence and grouping of parts that belong to the basic machine featured in this manual. Part Numbers and Descriptions are given to help locate the parts and quantities required.
2. The Purchase Order must include the name and address of the person or organization ordering the parts, who should be charged, and if possible, the serial number of the machine for which the parts are ordered.
3. The Purchase Order must clearly list the quantity of each part, the complete and correct part number (be sure to include all periods), and the basic name of the part.
4. The Manufacturer reserves the right to substitute parts where applicable.
5. Some parts are unlisted items which are special production items not normally stocked and are subject to special handling. Request a quotation for such parts before sending a Purchase Order.
6. The Manufacturer reserves the right to change prices without prior notice.

NOTE: Please refer to The Safety Section in the front of this Manual for the proper Part Number when ordering Replacement Safety Decals.



For maximum safety and to guarantee optimum product reliability, always use genuine Servis-Rhino Parts. The use of inferior replacement parts may cause premature or catastrophic failure which could result in serious injury or death. Direct any questions regarding parts to:



RHINO®
1020 S. Sangamon Ave.
Gibson City, IL 60936
800-446-5158
Email: parts@servis-rhino.com

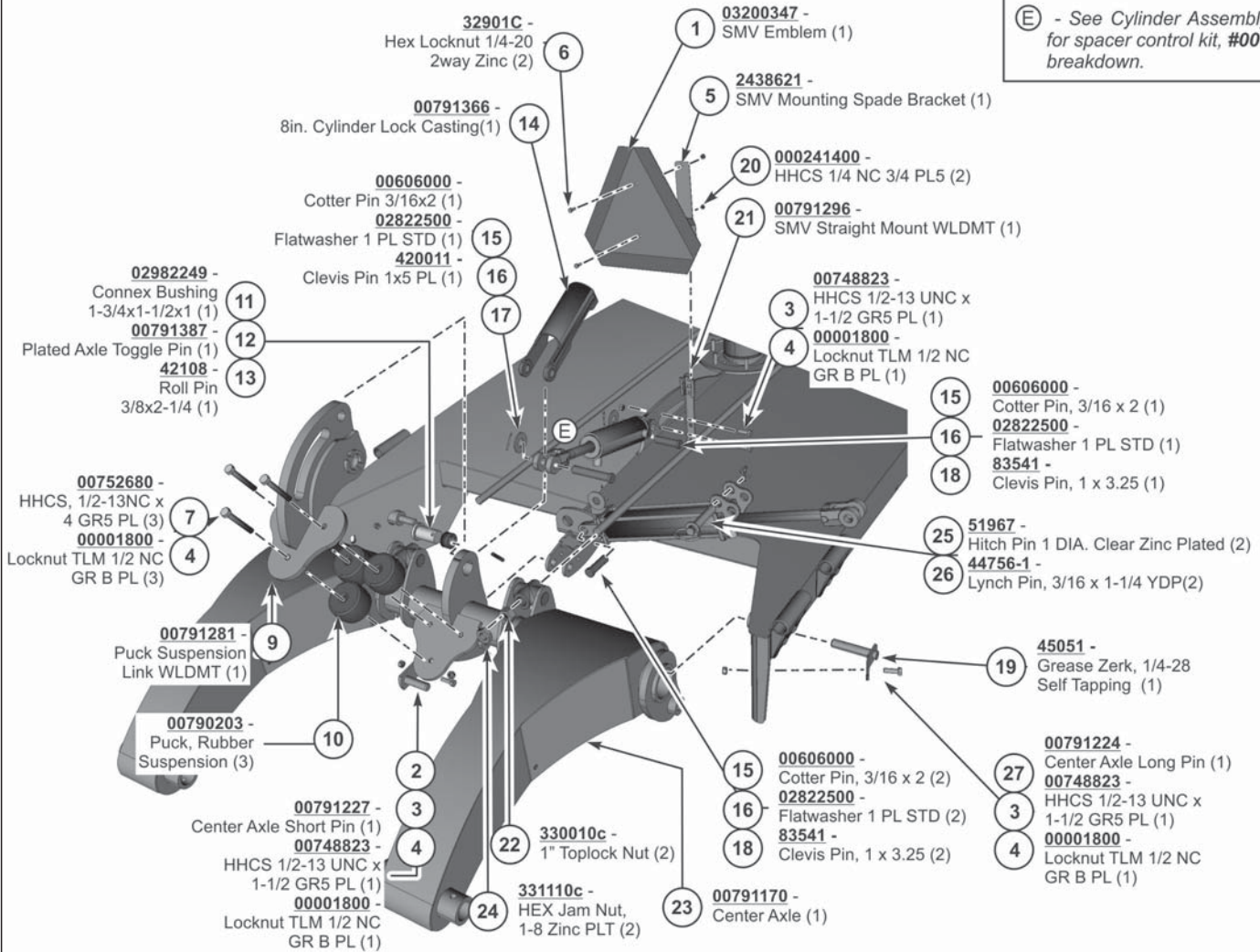
PART NAME INDEX

AXLE ASSEMBLY - CENTER.....	4
AXLE ASSEMBLY - WING.....	6
BLADE PAN ASSEMBLY.....	8
BLADE PAN ASSEMBLY - BOLT ON PAN (OPTIONAL).....	10
CHAINGUARD ASSEMBLY - FRONT.....	11
CHAINGUARD ASSEMBLY - REAR.....	12
CYLINDER ASSEMBLY.....	14
DECAL LOCATION.....	16
DEFLECTOR ASSEMBLY - FRONT.....	18
DEFLECTOR ASSEMBLY - REAR.....	19
DRIVELINE - INTERMEDIATE 540RPM & 1000RPM 00791596.....	21
DRIVELINE - MAIN CV 1000RPM 1 3/4-20 SPLINE 00791373.....	22
DRIVELINE - MAIN CV 1000RPM 1-3/8 21 SPLINE 00791372.....	23
DRIVELINE - MAIN CV 540RPM 1 3/8-6 SPLINE CAT IV 00791371.....	24a
DRIVELINE - MAIN CV 540RPM 1 3/8-6 SPLINE CAT VI 00791368	24b
DRIVELINE - WING 540RPM & 1000RPM 00775312.....	25
GEARBOX ASSEMBLY - 00791056 - 1:1.21 RATIO, 1000RPM 3100/3150 RW.....	26
GEARBOX ASSEMBLY - 00791057 - 1:1.21 RATIO, 1000RPM 3150 LW.....	28
GEARBOX ASSEMBLY - 00791058 - 1:1.46 RATIO, 540RPM 3100 RW & CENTER, 3150 RW.....	30
GEARBOX ASSEMBLY - 00791059 - 1:1.46 RATIO, 540RPM 3150 LW & CENTER.....	32
GEARBOX ASSEMBLY - 00791061 - 1:1.21 RATIO, 1000RPM 3150 CENTER.....	34
GEARBOX ASSEMBLY - 00791098 - 1.21:1 RATIO, 1000RPM 3100 CENTER.....	36
GEARBOX ASSEMBLY - DIVIDER, 00755697A 1000RPM.....	38
GEARBOX ASSEMBLY - DIVIDER, 00756603A 540RPM.....	40
GEARBOX SHIELD ASSEMBLY - DIVIDER & CENTER.....	42
GEARBOX SHIELD ASSEMBLY - WING.....	43
GEARBOX, BLADES, & ROTATION CHART - 3100.....	44
GEARBOX, BLADES, & ROTATION CHART - 3150.....	45
HITCH ASSEMBLY - PINTLE (OPTIONAL).....	46
HITCH ASSEMBLY - PRECISION (OPTIONAL).....	47
HUB AND SPINDLE ASSEMBLY - 00790220.....	49
HYDRAULIC HOSE LAYOUT - AXLE CYLINDER.....	50
HYDRAULIC HOSE LAYOUT - WING LIFT.....	52
LIGHT KIT - 3100.....	54
LIGHT KIT - 3150.....	56
SKID SHOE ASSEMBLY.....	57
SLIP CLUTCH ASSEMBLY - 00775315.....	59
TIRE OPTIONS.....	60
TONGUE ASSEMBLY.....	62
WALKING AXLE - (OPTIONAL).....	64
WEIGHT PLATE ASSEMBLY.....	66
WING HINGE ASSEMBLY.....	67

AXLE ASSEMBLY - CENTER

NOTE: For cylinder information refer to the **CYLINDERS** parts section 8 of this manual.

(E) - See Cylinder Assembly Section for spacer control kit, #00791391 & breakdown.



AXLE ASSEMBLY - CENTER

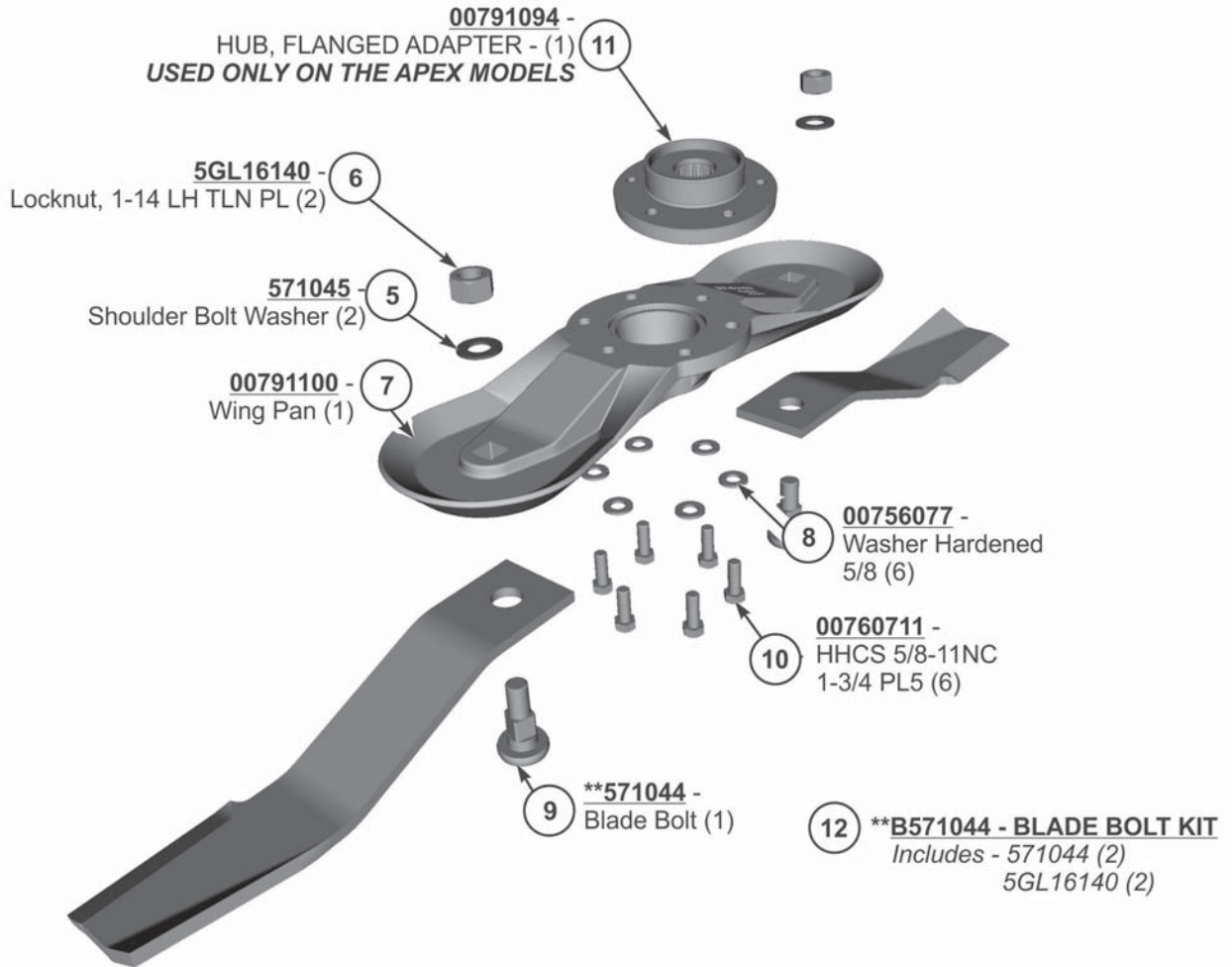
ITEM	PART NO.	QTY.	DESCRIPTION
1	03200347	1	SMV EMBLEM
2	00791227	1	CENTER AXLE SHORT PIN
3	00748823	1	HHCS 1/2-13 UNC X1-1/2 GR5 PL
4	00001800	4	LOCKNUT TLM 1/2 NC GR B PL
5	2438621	1	SMV MOUNTING SPADE BRACKET
6	32901C	2	HEX LOCKNUT 1/4-20 2WAY ZINC
7	00752680	3	HHCS, 1/2-13NC X 4 GR5 PL
9	00791281	1	PUCK SUSPENSION LINK WLDMT
10	00790203	3	RUBBER PUCK SUSPENSION
11	02982249	1	CONNEX BUSHING 1-3/4X1-1/2X1
12	00791387	1	PLATED AXLE TOGGLE PIN
13	42108	1	ROLL PIN 3/8X2-1/4
14	00791366	1	8IN. CYLINDER LOCK CASTING
15	00606000	3	COTTER PIN 3/16X2
16	02822500	1	FLATWASHER 1 PL STD
17	420011	1	CLEVIS PIN 1X5 PL
18	83541	2	CLEVIS PIN, 1 X 3.25
19	45051	1	GREASE ZERK, 1/4-28 SELF TAPPING
20	000241400	2	HHCS 1/4 NC 3/4 PL5
21	00791296	1	SMV STRAIGHT MOUNT WLDMT
22	330010C	2	1" TOPLOCK NUT
23	00791170	1	CENTER AXLE
24	331110C	2	HEX JAM NUT, 1-8 ZINC PLT
25	51967	2	HITCH PIN 1 DIA. CLEAR ZINC PLATED
26	44756-1	2	LYNCH PIN, 3/16 X 1-1/4 YDP
27	00791224	1	CENTER AXLE LONG PIN

AXLE ASSEMBLY - WING

AXLE ASSEMBLY - WING

ITEM	PART NO.	QTY.	DESCRIPTION
1	00752680	2	HHCS, 1/2-13 NC X 4 GR5 PL
2	8354	1	CLEVIS PIN1 X 3.25 PL
3	02822500	1	FLATWASHER 1 PL STD
4	00606000	1	COTTER PIN 3/16 X 2
5	42002	1	CLEVIS PIN,1 X 2-1/2 PL
6	4720	2	GREASE ZERK, 1/8NPT SELF TAPPING
7	00791185	1	WING AXEL WLDMT
8	1458392	1	RED REFLECTOR
9	00791299	1	EYE BOLT, 1IN D SHANK
10	330010C	1	1" TOPLOCK NUT
11	331110C	1	HEX JAM NUT 1-8 ZINC PLT
12	00791340	1	WING PIVOT LINK WLDMT
13	00790205	2	RUBBER SUSPENSION PUCK
14	007912532	1	REAR WING DEFLECTOR STRAP
15	00791253	1	REAR WING INSIDE RUBBER DEFLECTOR
16	00748823	2	HHCS, 1/2-13 UNC X 1-1/2 GR 5PL
17	00001800	2	LOCKNUT TLM 1/2 NC GR B PL
18	00791183	1	CASTING, WING AXLE PIVOT
19	00791598	1	HEXB, FLG 3/4 UNC X 2-1/2 GR 5 PL

BLADE PAN ASSEMBLY



- | | | |
|---|---|---|
| <p>(3) 15' Unit LW Blades
3150
- Blades, 00759339 CCW Updraft (2)</p> | <p>(4) 15' Unit Center Blades
3150
- Blades, 0582010330 CCW Updraft(2)</p> <p>(1) 10' Unit Center Blades
3100
- Blades, 0582010332 CCW Updraft(2)</p> | <p>(2) 15' Unit RW Blades
3150
- Blades, 00759338 CW Fan (2)</p> <p>(2) 10' Unit RW Blades
3100
- Blades, 00759338 CW Fan (2)</p> |
|---|---|---|

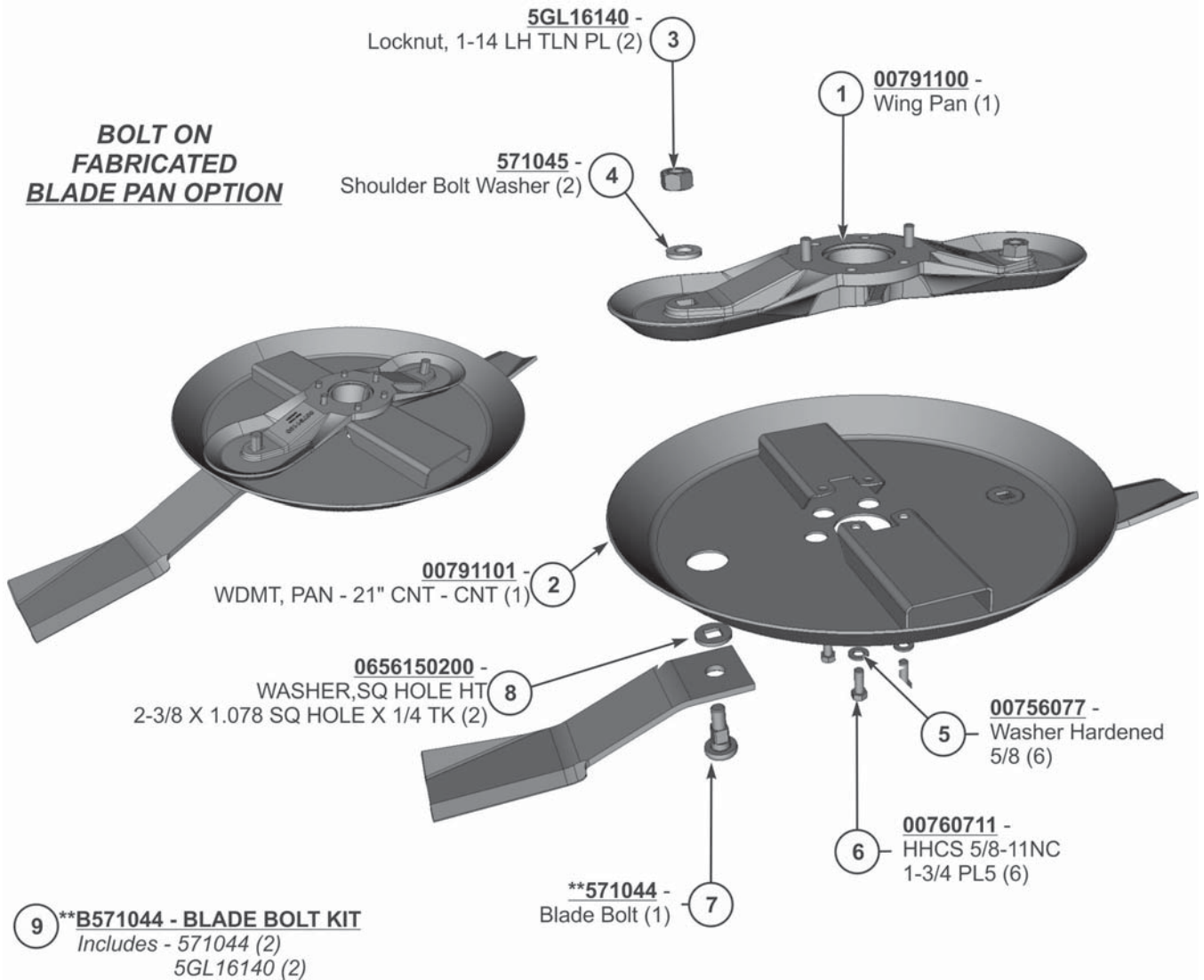
**NOTE: ALL UNITS SHIPPED AFTER MAY 1, 2015
WILL BE USING BLADES ENDING WITH "P"
IN THE PART NUMBER**

BLADE PAN ASSEMBLY

ITEM	PART NO.	QTY.	DESCRIPTION
1	0582010332P	2	BLADES, CCW UPDRAFT
2	00759338P	2	BLADES, CW FAN
3	00759339P	2	BLADES, CCW UPDRAFT
4	0582010330P	2	BLADES, CCW UPDRAFT
5	571045	2	SHOULDER BOLT WASHER
6	5GL16140	2	LOCKNUT, 1-14 LH TLN PL
7	00791100	1	WING PAN
8	00756077	6	WASHER HARDENED 5/8
9	00760711	6	HHCS 5/8-11NC 1-3/4 PL5
10	571044	1	BLADE BOLT
11	00791094	1	HUB, FLANGED ADAPTER
12	B571044	1	BLADE BOLT KIT

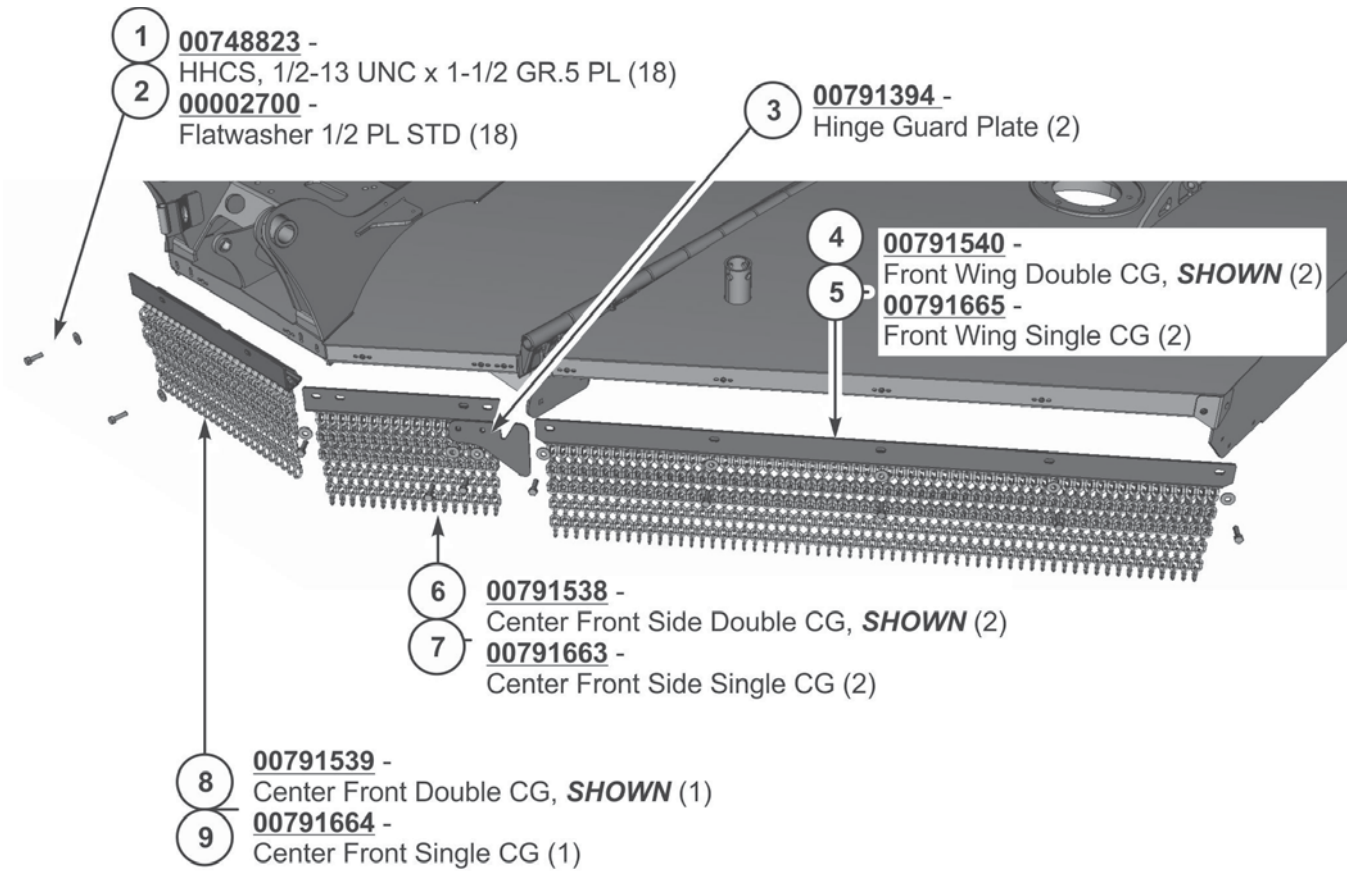
BLADE PAN ASSEMBLY - BOLT ON PAN (OPTIONAL)

BOLT ON FABRICATED BLADE PAN OPTION



ITEM	PART NO.	QTY.	DESCRIPTION
1	00791100	1	WING PAN
2	00791101	1	WLDMT, PAN 21" CNTR-CNTR
3	5GL16140	2	LOCKNUT, 1-14 LH TLN PL
4	571045	2	SHOULDER BOLT WASHER
5	00756077	6	HARDENED WASHER 5/8
6	00760711	6	HHCS, 5/8-11NC 1-3/4 PL5
7	571044	2	BLADE BOLT
8	0656150200	2	SQ HOLE HT WASHER
9	B571044	1	BLADE BOLT KIT

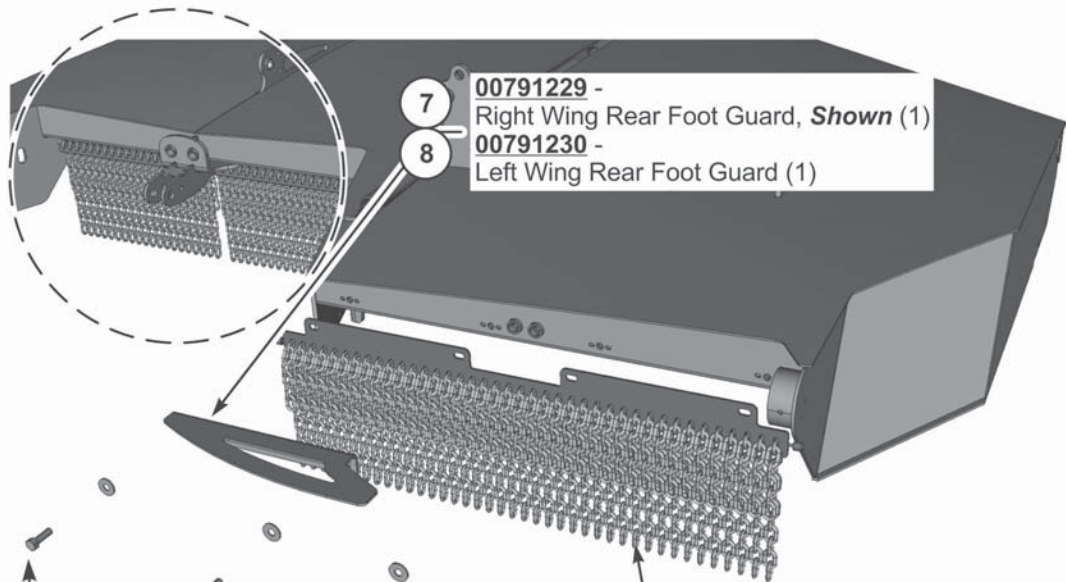
CHAINGUARD ASSEMBLY - FRONT



ITEM	PART NO.	QTY.	DESCRIPTION
1	00748823	18	HHCS, 1/2-13 UNC X 1-1/2 GR.5 PL
2	00002700	18	FLATWASHER 1/2 PL STD
3	00791394	2	HINGE GUARD PLATE
4	00791540	2	FRONT WING DOUBLE CG, SHOWN
5	00791665	2	FRONT WING SINGLE CG
6	00791538	2	CENTER FRONT SIDE DOUBLE CG, SHOWN
7	00791663	2	CENTER FRONT SIDE SINGLE CG
8	00791539	1	CENTER FRONT DOUBLE CG, SHOWN
9	00791664	1	CENTER FRONT SINGLE CG

CHAINGUARD ASSEMBLY - REAR

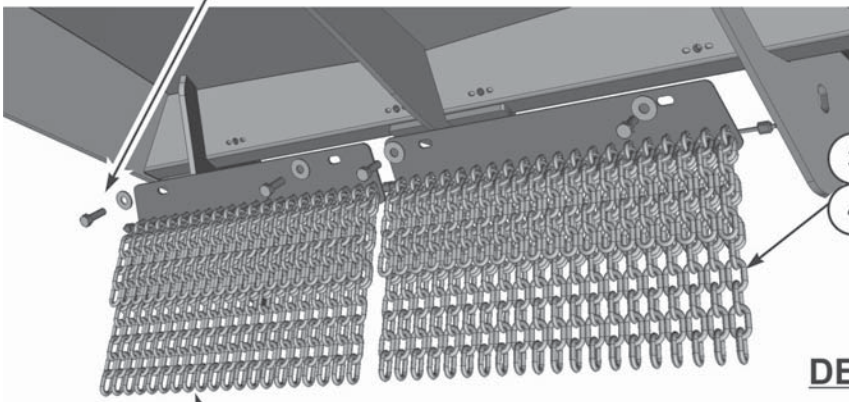
DETAIL "A"



- 7 00791229 - Right Wing Rear Foot Guard, **Shown** (1)
- 8 00791230 - Left Wing Rear Foot Guard (1)

- 5 00791543 - Rear Wing Double CG, **SHOWN** (2)
- 6 00791250 - Rear Wing Single CG (2)

- 1 00748823 - HHCS, 1/2-13 UNC x 1-1/2 GR.5 PL (12)
- 2 00002700 - Flatwasher 1/2 PL STD (12)



- 3 00791541 - Left Rear Double CG, **SHOWN** (1)
- 4 00791247 - Left Rear Single CG (1)

- 9 00791542 - Right Rear Double CG, **SHOWN** (1)
- 10 00791248 - Right Rear Single CG (1)

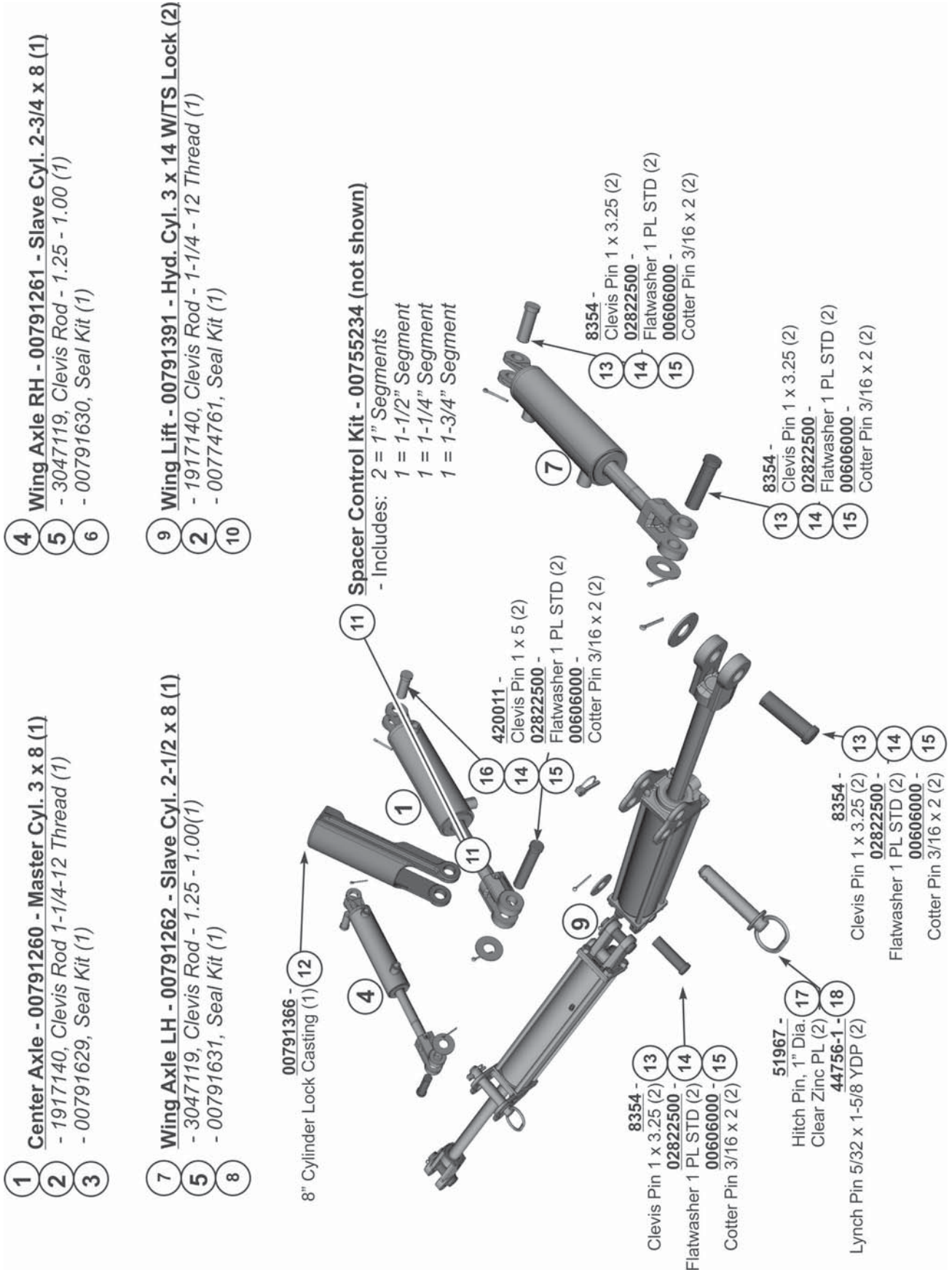
DETAIL "A"

CHAINGUARD ASSEMBLY - REAR

Continued...

ITEM	PART NO.	QTY.	DESCRIPTION
1	00748823	12	HHCS, 1/2-13 UNC X 1-1/2 GR.5 PL
2	00002700	12	FLATWASHER 1/2 PL STD
3	00791541	1	LEFT REAR DOUBLE CG, SHOWN
4	00791247	1	LEFT REAR SINGLE CG
5	00791543	2	REAR WING DOUBLE CG, SHOWN
6	00791250	2	REAR WING SINGLE CG
7	00791229	1	RIGHT WING REAR FOOT GUARD, SHOWN
8	00791230	1	LEFT WING REAR FOOT GUARD
9	00791542	1	RIGHT REAR DOUBLE CG, SHOWN
10	00791248	1	RIGHT REAR SINGLE CG

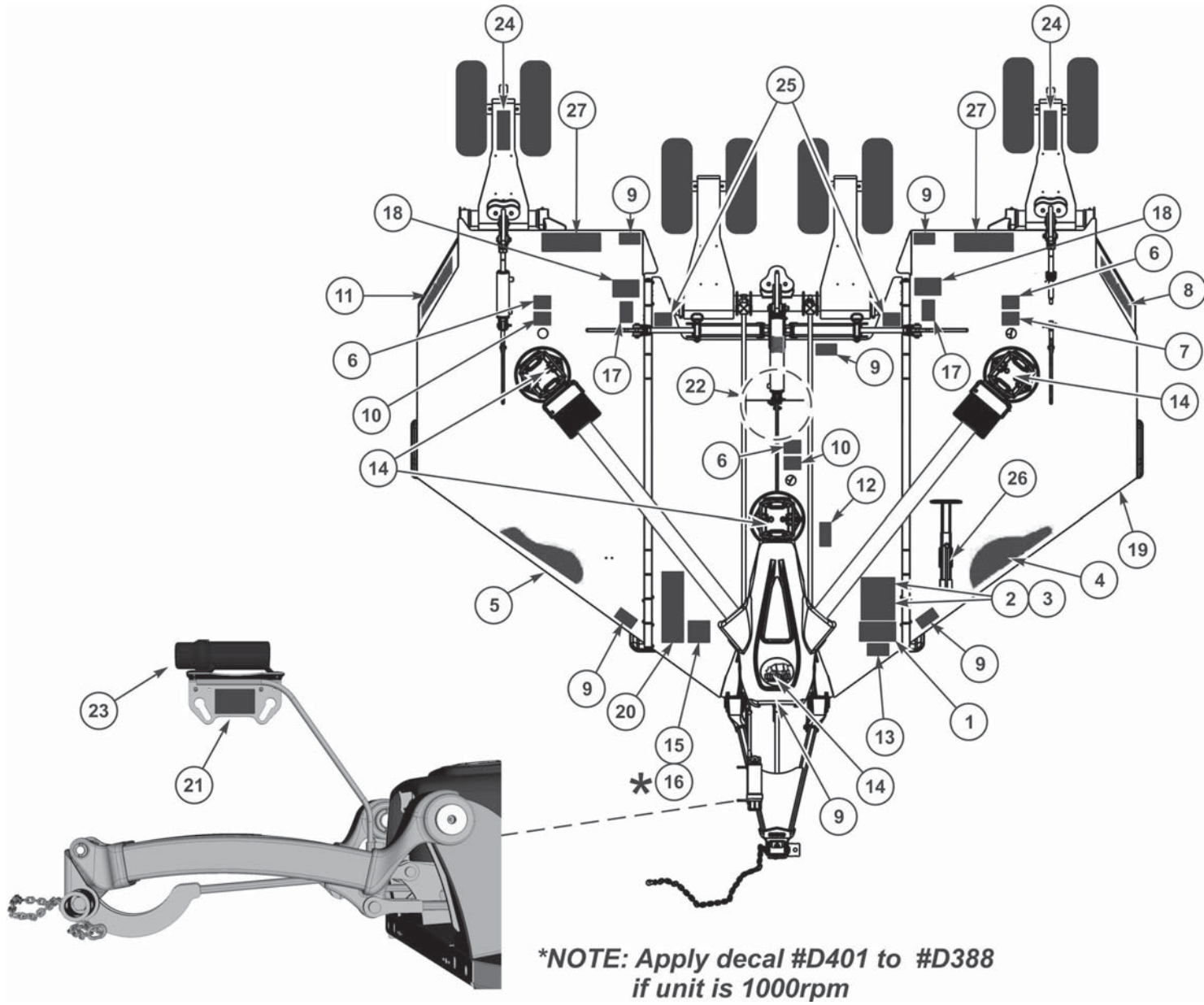
CYLINDER ASSEMBLY



CYLINDER ASSEMBLY

ITEM	PART NO.	QTY.	DESCRIPTION
1	00791260	1	CENTER AXLE MASTER CYL. 3 X 8
2	1917140	1	CLEVIS ROD 1-1/4-12 THREAD
3	00791629	1	SEAL KIT - CENTER CYLINDER
4	00791261	1	WING AXLE RH SLAVE CYL. 2-3/4 X 8
5	3047119	1	CLEVIS ROD - 1.25 - 1.00
6	00791630	1	SEAL KIT - RH WING CYLINDER
7	00791262	1	WING AXLE LH SLAVE CYL. 2-1/2 X 8
8	00791631	1	SEAL KIT - LH WING CYLINDER
9	00791391	2	WING LIFT HYD. CYL. 3 X 14 W/TS LOCK
10	00774761	1	SEAL KIT - WING LIFT CYLINDERS
11	00755234	1	SPACER CONTROL KIT -(NOT SHOWN)
12	00791366	1	8" CYLINDER LOCK CASTING
13	8354	1	CLEVIS PIN 1 X 3.25
14	02822500	2	FLATWASHER 1 PL STD
15	00606000	2	COTTER PIN 3/16 X 2
16	420011	2	CLEVIS PIN 1 X 5
17	51967	2	HITCH PIN, 1" DIA. CLEAR ZINC PL
18	44756-1	2	LYNCH PIN 5/32 X 1-5/8 YDP

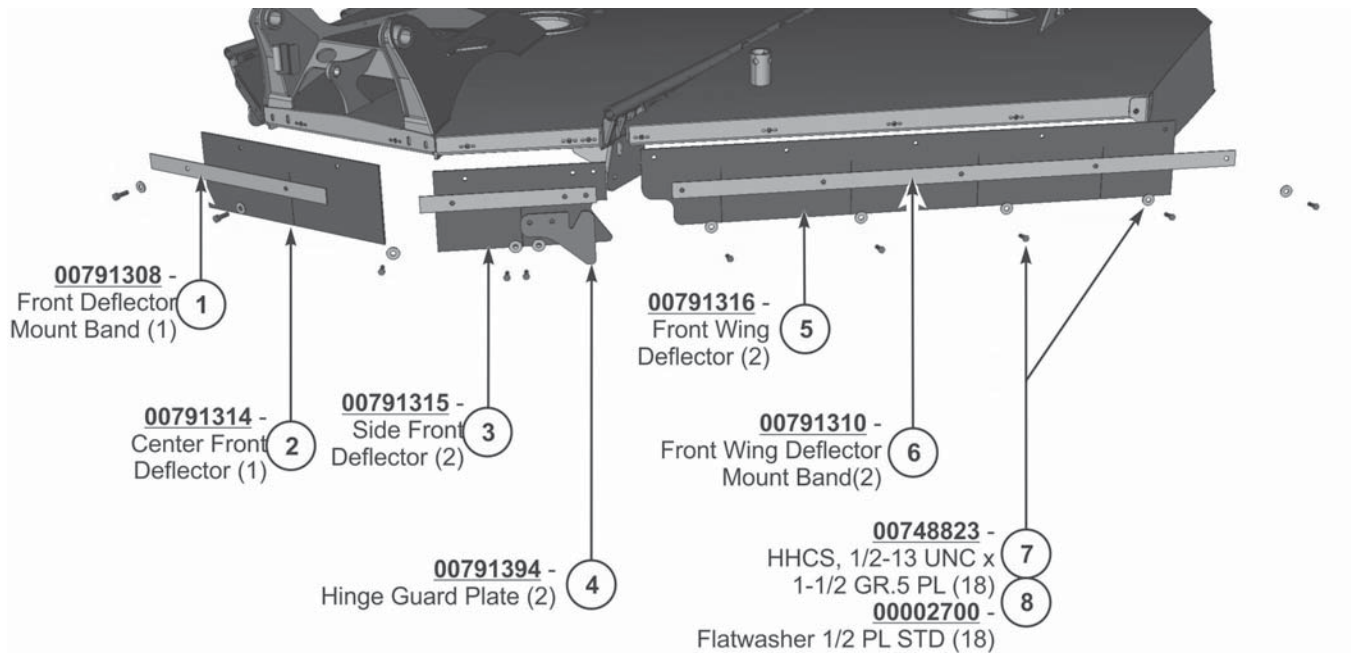
DECAL LOCATION



DECAL LOCATION

ITEM	PART NO.	QTY.	DESCRIPTION
1	D875	1	Lubrication Chart
2	D814	1	Multi-Language
3	D389	1	Multi-Hazard
4	00791405	1	Rhino APEX Logo (Left Side)
5	00791404	1	Rhino APEX Logo (Right Side)
6	D534	3	Blade Bolt Torque
7	D138	1	Blade Rotation-CCW
8	00791407	1	Model Name, 3100 (Left Side)
	00791409	1	Model Name, 3150 (Left Side)
9	D614	7	DECAL,DANGER-DO NOT OPERATE Blade
10	D137	2	Rotation-CW
11	00791408	1	Model Name, 3150 (Right Side)
12	00786507	1	6-Year Gearbox Warranty
13	00760657	1	Genuine Rhino Parts
14	00756004	4	Shield Missing
15	D388	1	Driveline Hazard
16	D401	1	1000 RPM
17	D519	2	Crushing Hazard - Falling
18	00753840	2	Wing Lowering Safety
19	1458393	1	Yellow Reflector
20	D390	1	Multi-Hazard/Pull Type Unit Hazard
21	00791626	1	Hyd Hose Color Code
22	03200347	1	SMV Sign
23	00776031	1	Canister (Ops Manual 00791627C Inside) Red
24	1458392	2	Reflector
25	00791639	2	8hr. Grease Axle Fitting Decal
26	00791604	2	DECAL,SMALL MODEL - 3100
	00791605	2	DECAL,SMALL MODEL - 3150
27	D422	1	SHEET,FLEX SGL WG SAFETY DECAL - 3100
28	D420	1	SHEET,FLEX WING SAFETY DECAL - 3150
29	00791396	1	SHEET,DECAL LOGO - 3100
30	00791397	1	SHEET,DECAL LOGO - 3150

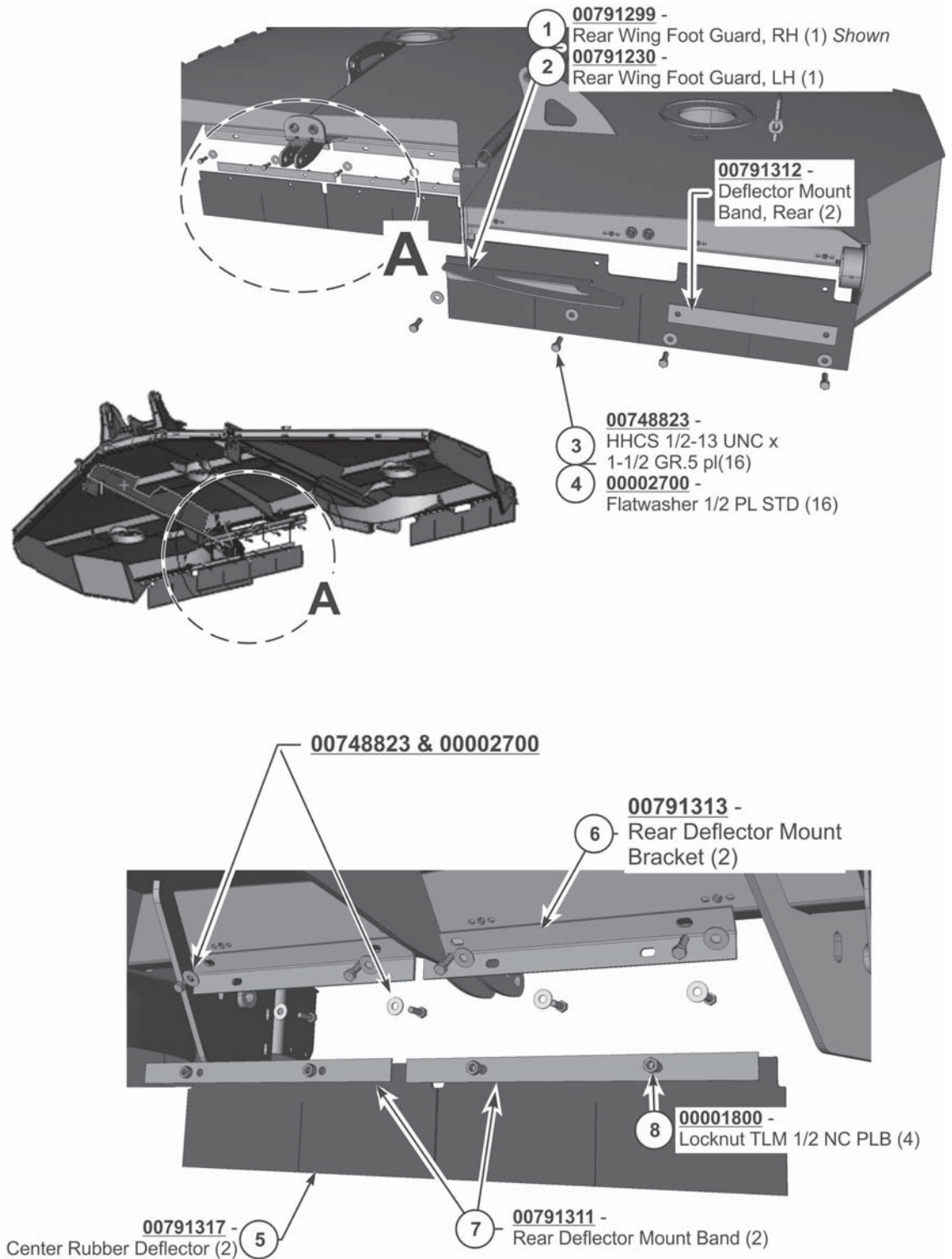
DEFLECTOR ASSEMBLY - FRONT



ITEM	PART NO.	QTY.	DESCRIPTION
1	00791308	1	FRONT DEFLECTOR MOUNT BAND
2	00791314	1	CENTER FRONT DEFLECTOR
3	00791315	2	SIDE FRONT DEFLECTOR
4	00791394	2	HINGE GUARD PLATE
5	00791316	2	FRONT WING DEFLECTOR
6	00791310	2	FRONT WING DEFLECTOR MOUNT BAND
7	00748823	18	HHCS, 1/2-13 UNC X 1-1/2 GR.5 PL
8	00002700	18	FLATWASHER 1/2 PL STD

BLANK INTENTIONALLY

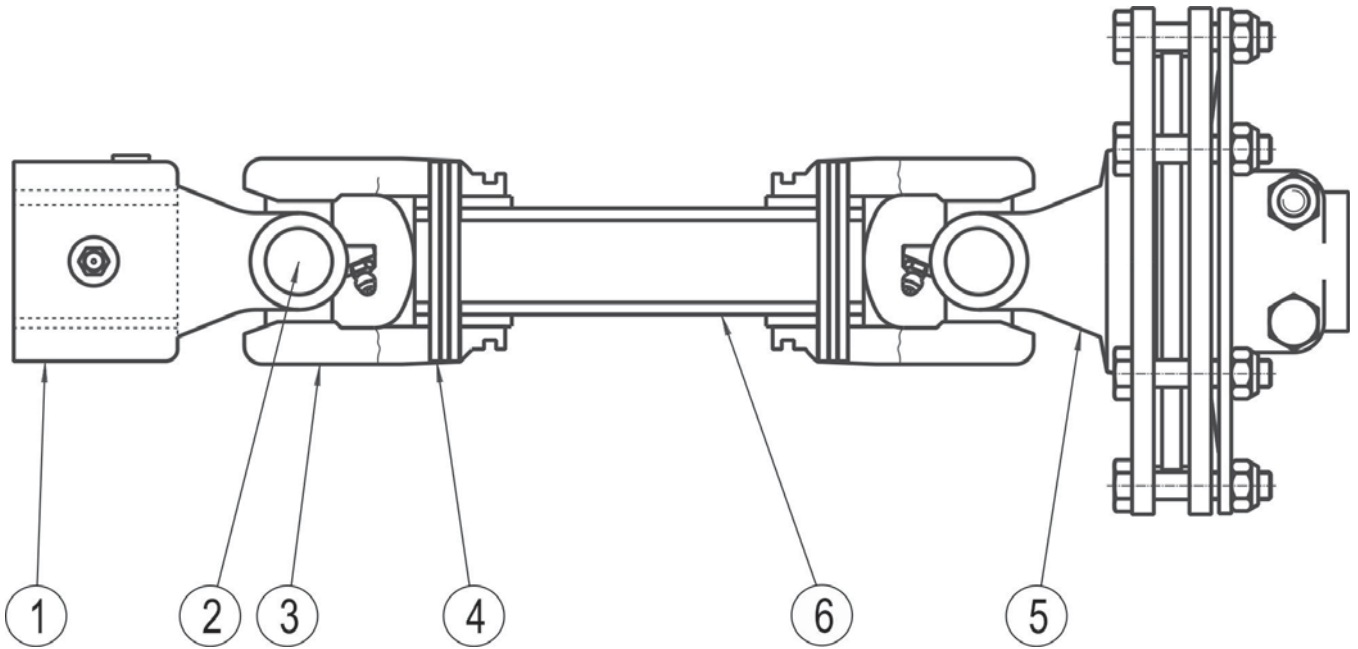
DEFLECTOR ASSEMBLY - REAR



DEFLECTOR ASSEMBLY - REAR

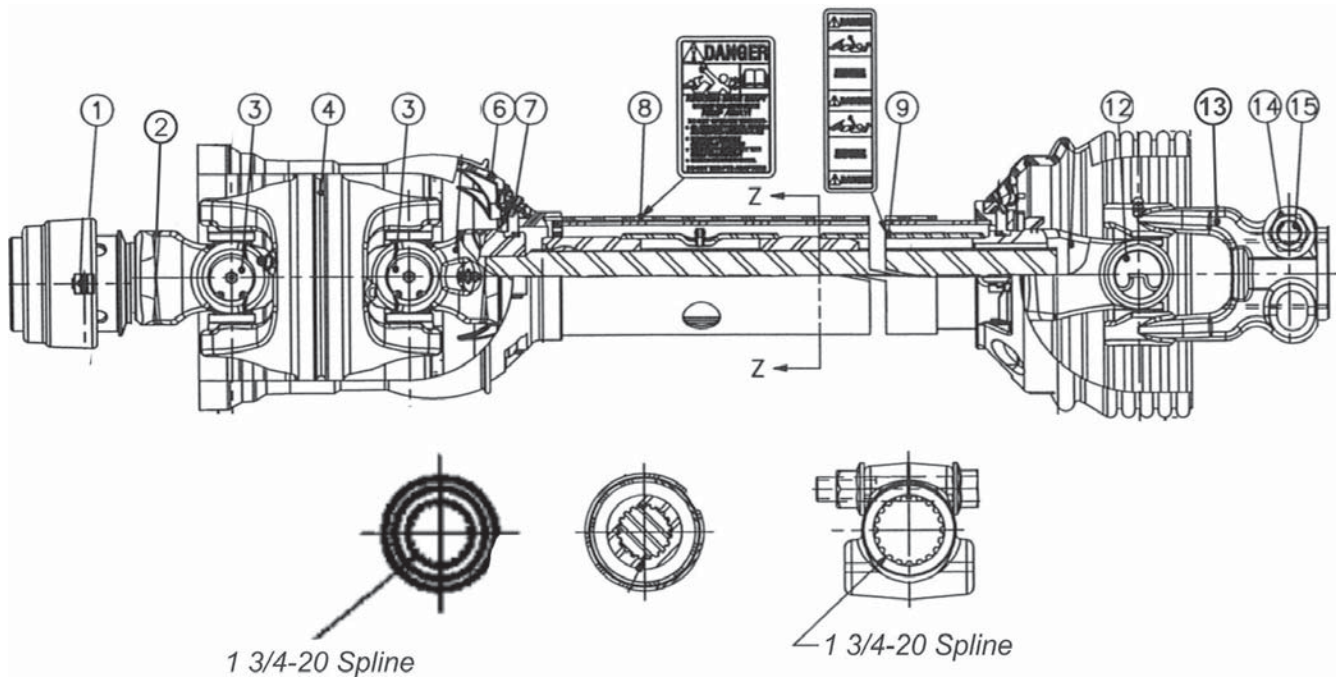
ITEM	PART NO.	QTY.	DESCRIPTION
1	00791299	1	REAR WING FOOT GUARD, RH SHOWN
2	00791230	1	REAR WING FOOT GUARD, LH
3	00748823	16	HHCS 1/2-13 UNC X 1-1/2 GR.5 PL
4	00002700	16	FLATWASHER 1/2 PL STD
5	00791317	2	CENTER RUBBER DEFLECTOR
6	00791313	2	REAR DEFLECTOR MOUNT BRACKET
7	00791311	2	REAR DEFLECTOR MOUNT BAND
8	00001800	4	LOCKNUT TLM 1/2 NC PLB

DRIVELINE - INTERMEDIATE 540RPM & 1000RPM 00791596



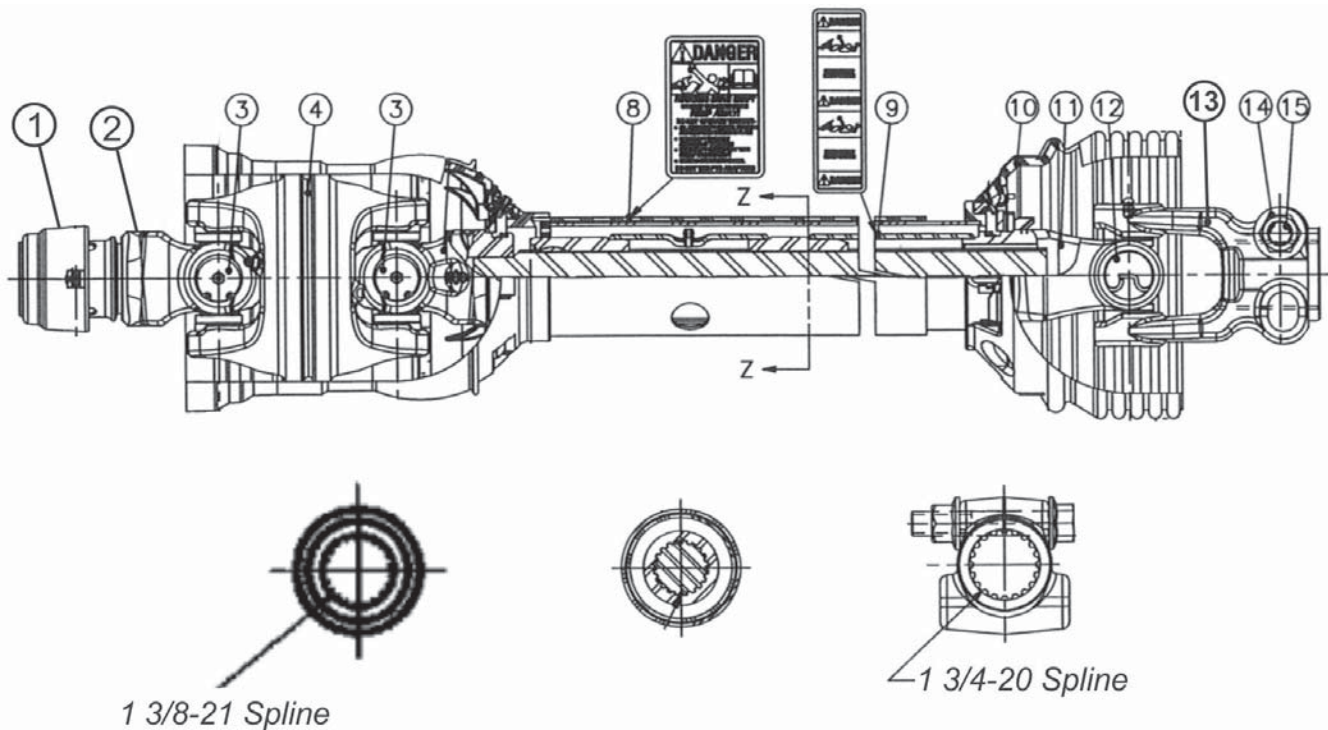
ITEM	PART NO.	QTY.	DESCRIPTION
1	00775341	1	YOKE 1 3/4"-20 SPL.
2	00189700	2	CROSS & BEARING KIT
3	00787049	2	INBOARD YOKE 2A PROFILE
4	00756934	2	SPRING PIN, 10 X 80
5	00775315	1	SLIP CLUTCH - (SEE SLIP CLUTCH ASSEMBLY FOR BREAKDOWN)
6	00791597	1	INNER PROFILE 1B

DRIVELINE - MAIN CV 1000RPM 1 3/4-20 SPLINE 00791373



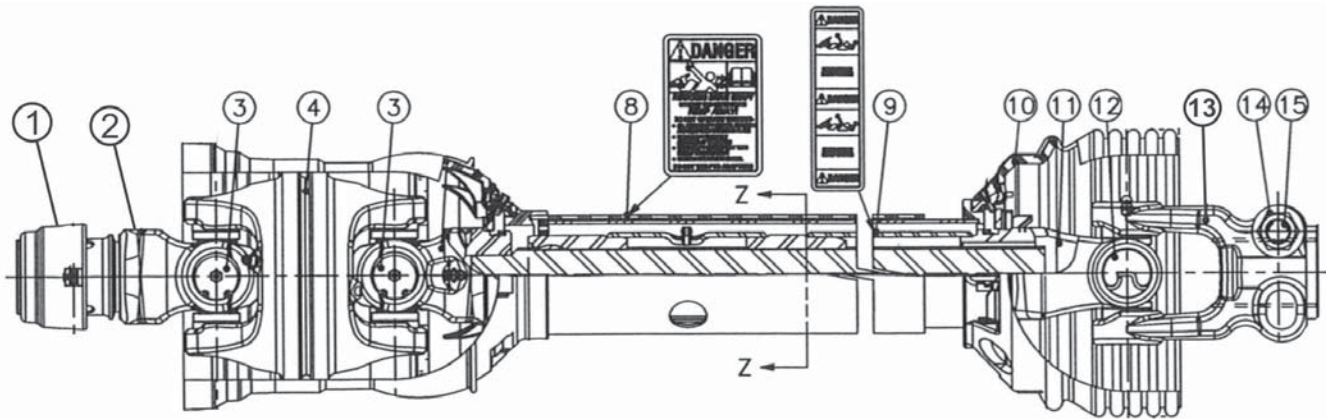
ITEM	PART NO.	QTY.	DESCRIPTION
1	00724738	1	SSL/AUTO-LOK REPAIR KIT
2	00791380	1	ASY, CV YOKE - 1-3/4-20 SPLINE
3	50069189	2	AB 6/AW22 CAT 4 80 DEG EBL
4	00788000	1	HOUSING, CV CENTER
7	00791379	1	ASY, SHIELD GUARD SET -COMPLETE
8	00756005	1	DECAL, ROTATING DRIVELINE
9	00756004	1	DECAL, DANGER - GUARD MISSING
12	50069190	1	35EBL CROSS KIT
13	2716868	1	YOKE, 1 3/4-20 SPLINE
14	5HR10110	1	NUT, HEX FLG TOPLOCK 5/8-11 UNC
15	00788001	1	HEXB FLG 5/8-11 X 3-1/2 PL8

DRIVELINE - MAIN CV 1000RPM 1-3/8 21 SPLINE 00791372

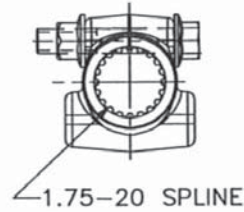


ITEM	PART NO.	QTY.	DESCRIPTION
1	2716820	1	SSL/AUTO-LOK REPAIR KIT
2	50069188	1	WWCV AUTO-LOK YOKE ASM
3	50069189	2	AB 6/AW22 CAT 4 80 DEG EBL
4	00788000	1	HOUSING, CV CENTER
7	00791378	1	ASY, SHIELD GUARD SET -COMPLETE
8	00756005	1	DECAL, ROTATING DRIVELINE
9	00756004	1	DECAL, DANGER - GUARD MISSING
12	50069190	1	35EBL CROSS KIT
13	2716868	1	YOKE, 1 3/4-20 SPLINE
14	5HR10110	1	NUT, HEX FLG TOPLOCK 5/8-11 UNC
15	00788001	1	HEXB FLG 5/8-11 X 3-1/2 PL8

DRIVELINE - MAIN CV 540RPM 1 3/8-6 SPLINE CAT IV 00791371



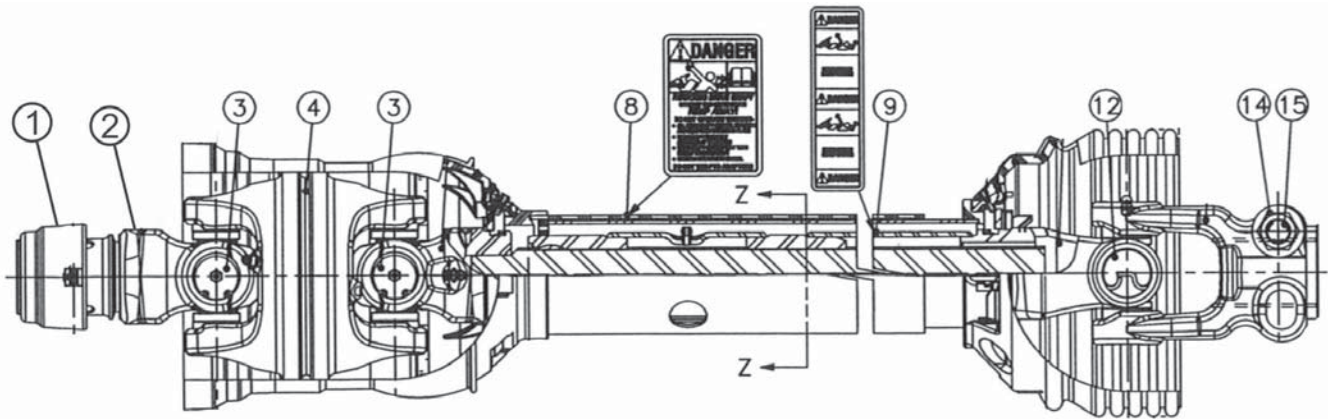
00791371
1 3/8-6 Spline



1.75-20 SPLINE

ITEM	PART NO.	QTY.	DESCRIPTION
1	2716820	1	SSL/AUTO-LOK REPAIR KIT
2	00787999	1	ASY, AUTO-LOK YOKE
3	50069189	2	AB 6/AW22 CAT 4 80 DEG EBL
4	00788000	1	HOUSING, CV CENTER
7	00791377	1	ASY, SHIELD GUARD SET -COMPLETE
8	00756005	1	DECAL, ROTATING DRIVELINE
9	00756004	1	DECAL, DANGER - GUARD MISSING
12	50069190	1	35EBL CROSS KIT
13	2716868	1	YOKE, 1 3/4-20 SPLINE
14	5HR10110	1	NUT, HEX FLG TOPLOCK 5/8-11 UNC
15	00788001	1	HEXB FLG 5/8-11 X 3-1/2 PL8

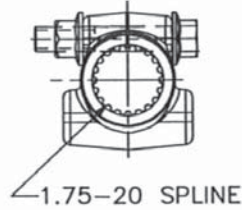
DRIVELINE - MAIN CV 540RPM 1 3/8-6 SPLINE CAT VI 00791368



PROFILE

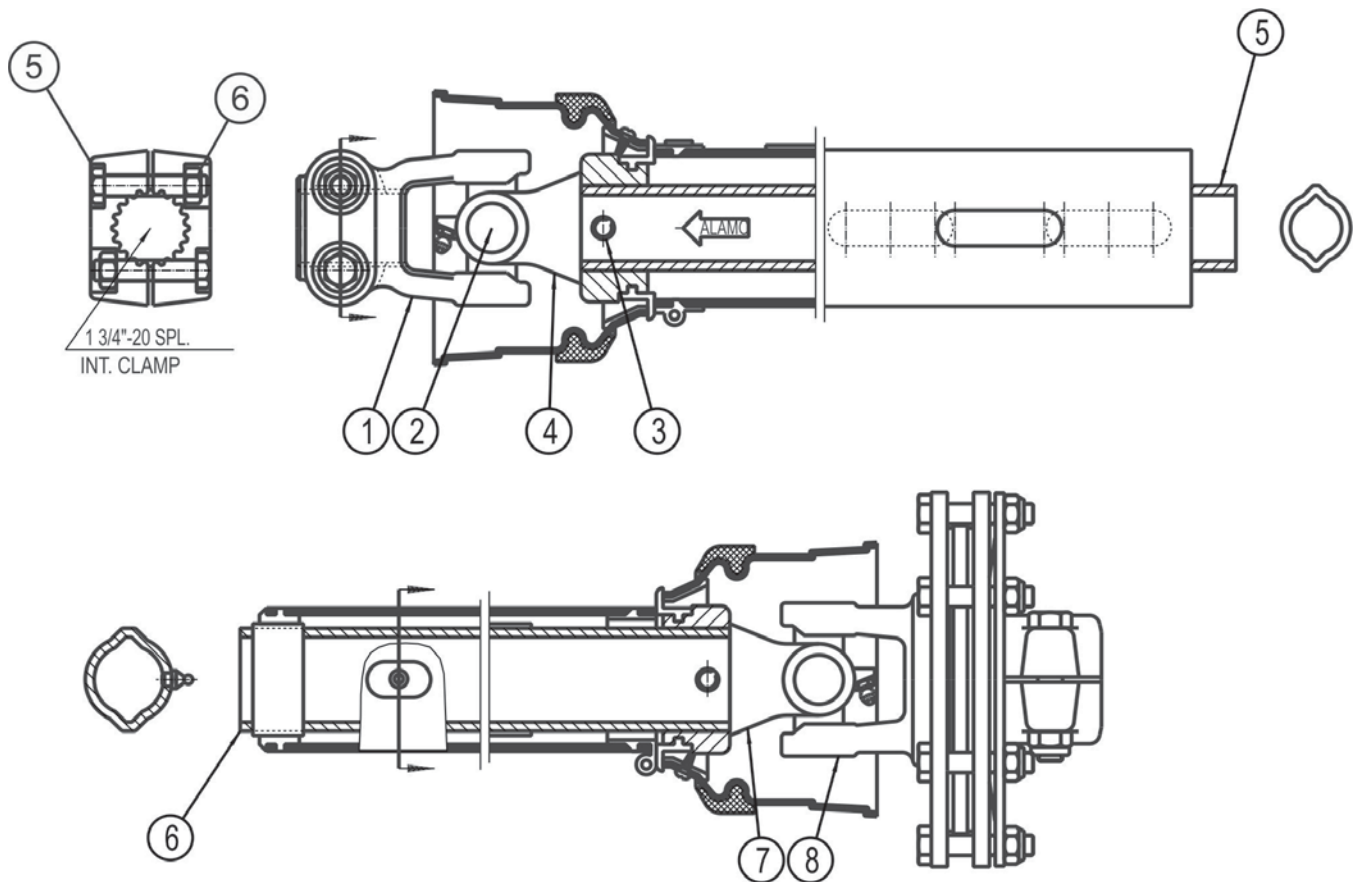


00791371
1 3/8-6 Spline



ITEM	PART NO.	QTY.	DESCRIPTION
1	2716820	1	KIT,AUTO-LOK YOKE REPAIR
2	00786846	1	ASY, CV YOKE - 1-3/8-6 SPLINE
3	00786849	2	KIT, CROSS & BEARING
4	00786850	1	HOUSING, CV CENTER
8	00756005	1	DECAL, ROTATING DRIVELINE
9	00756004	1	DECAL, DANGER - GUARD MISSING
12	00779050	1	KIT, CROSS & BEARING
14	00779052	1	YOKE, 1-3/4 - 20 SPLINE
15	00779053	2	BOLT, 5/8-11X2-1/2 FLANGE SERAT
16	00791374	1	ASY, SHIELD GUARD SET -COMPLETE

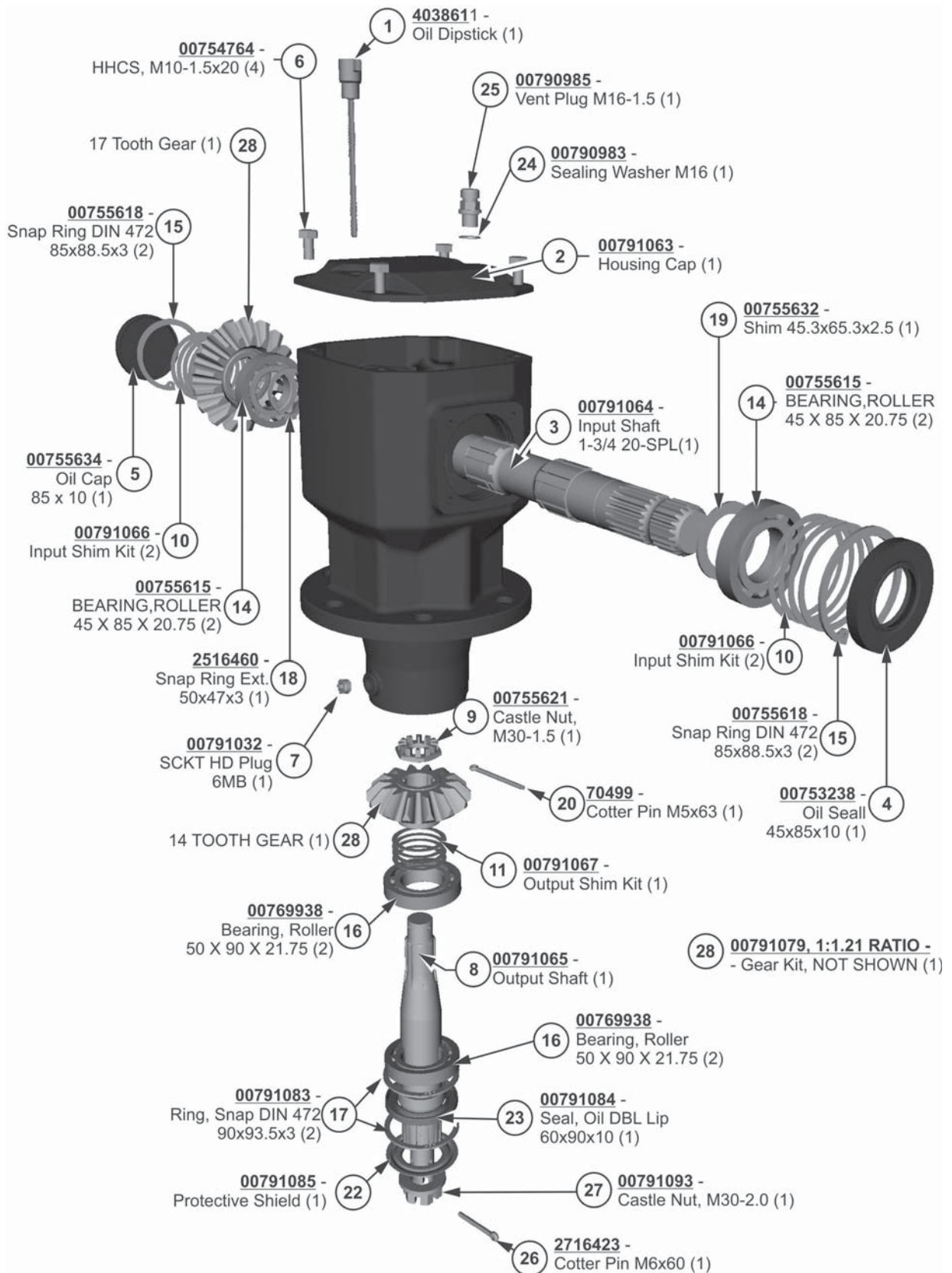
DRIVELINE - WING 540RPM & 1000RPM 00775312



ITEM	PART NO.	QTY.	DESCRIPTION
1	00775316	1	YOKE 1-3/4-20 SPL. I.C.
2	00189700	2	CROSS & BEARING KIT
3	00756934	2	SPRING PIN 10 X 80
4	00775317	1	INBOARD YOKE 1B
5	00775384	2	BOLT, M12 X1 .75 X 60 PL 8.8
6	00772648	2	NUT, HEX TOPLOCK - M12 X 1.75
7	00775318	1	INBOARD YOKE 2A
8	00775315	1	SLIP CLUTCH - (SEE SLIP CLUTH ASSEMBLY FOR BREAKDOWN)
----	00786419	1	SHIELD GUARD KIT, COMPLETE

BLANK INTENTIONALLY

GEARBOX ASSEMBLY - 00791056 - 1:1.21 RATIO, 1000RPM 3100/3150 RW

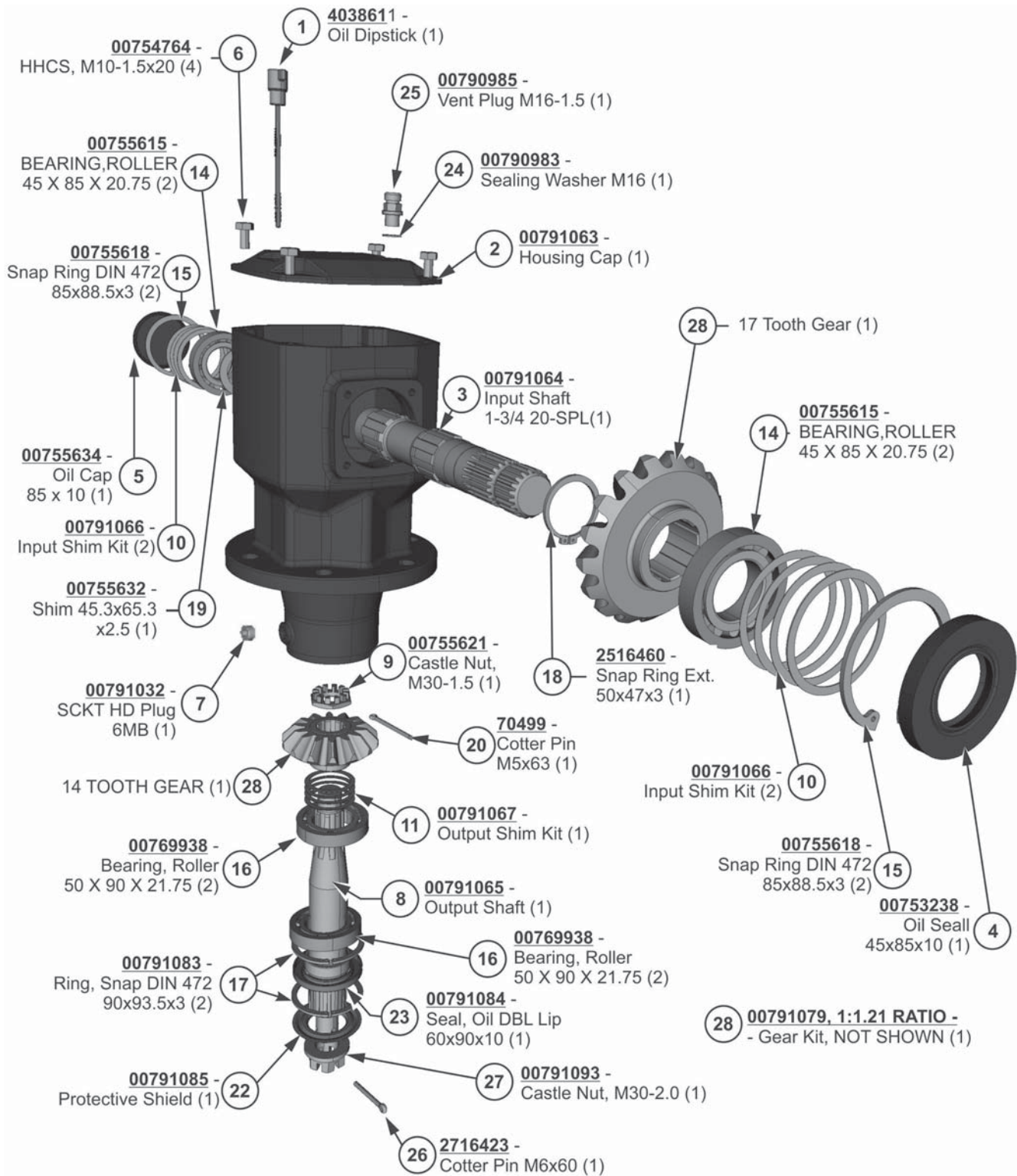


GEARBOX ASSEMBLY - 00791056 - 1:1.21 RATIO, 1000RPM 3100/3150 RW

Continued...

ITEM	PART NO.	QTY.	DESCRIPTION
1	4038611	1	DIPSTICK, OIL
2	00791063	1	CAP, HOUSING
3	00791064	1	SHAFT, INPUT 1-3/4 20-SPL
4	00753238	1	SEAL, OIL (45 X 85 X 10)
5	00755634	1	CAP, OIL (85 X 10)
6	00754764	4	HHCS, M10-1.5 X 20
7	00791032	1	PLUG, SOCKET HEAD-6MB
8	00791065	1	SHAFT, OUTPUT
9	00755621	1	NUT, CASTLE M30-1.5
10	00791066	2	KIT, INPUT SHIM
11	00791067	1	KIT, OUTPUT SHIM
14	00755615	2	BEARING, ROLLER - 45X85X20.75
15	00755618	2	RING, SNAP DIN 472 (85 X 88.5 X 3)
16	00769938	2	BEARING, ROLLER - 50X90X21.75
17	00791083	2	RING, SNAP DIN 472 (90 X 93.5 X 3)
18	2516460	1	RING, SNAP EXT. (50X47X3)
19	00755632	1	SHIM, (45.3X65.3X2.5)
20	70499	1	PIN, COTTER M5 X 63
21	00791082	1	TAG, GEARBOX
22	00791085	1	SHIELD, PROTECTIVE
23	00791084	1	SEAL, OIL DBL LIP 60 X 90 X 10
24	00790983	1	WASHER, SEALING M16
25	00790985	1	PLUG, VENT M16-1.5
26	2716423	1	PIN, COTTER M6 X 60
27	00791093	1	NUT, CASTLE M30-2.0
28	00791079	1	GEAR KIT
	-----	1	INCLUDED IN #28 - GEAR, 14 TOOTH
	-----	1	INCLUDED IN #28 - GEAR, 17 TOOTH

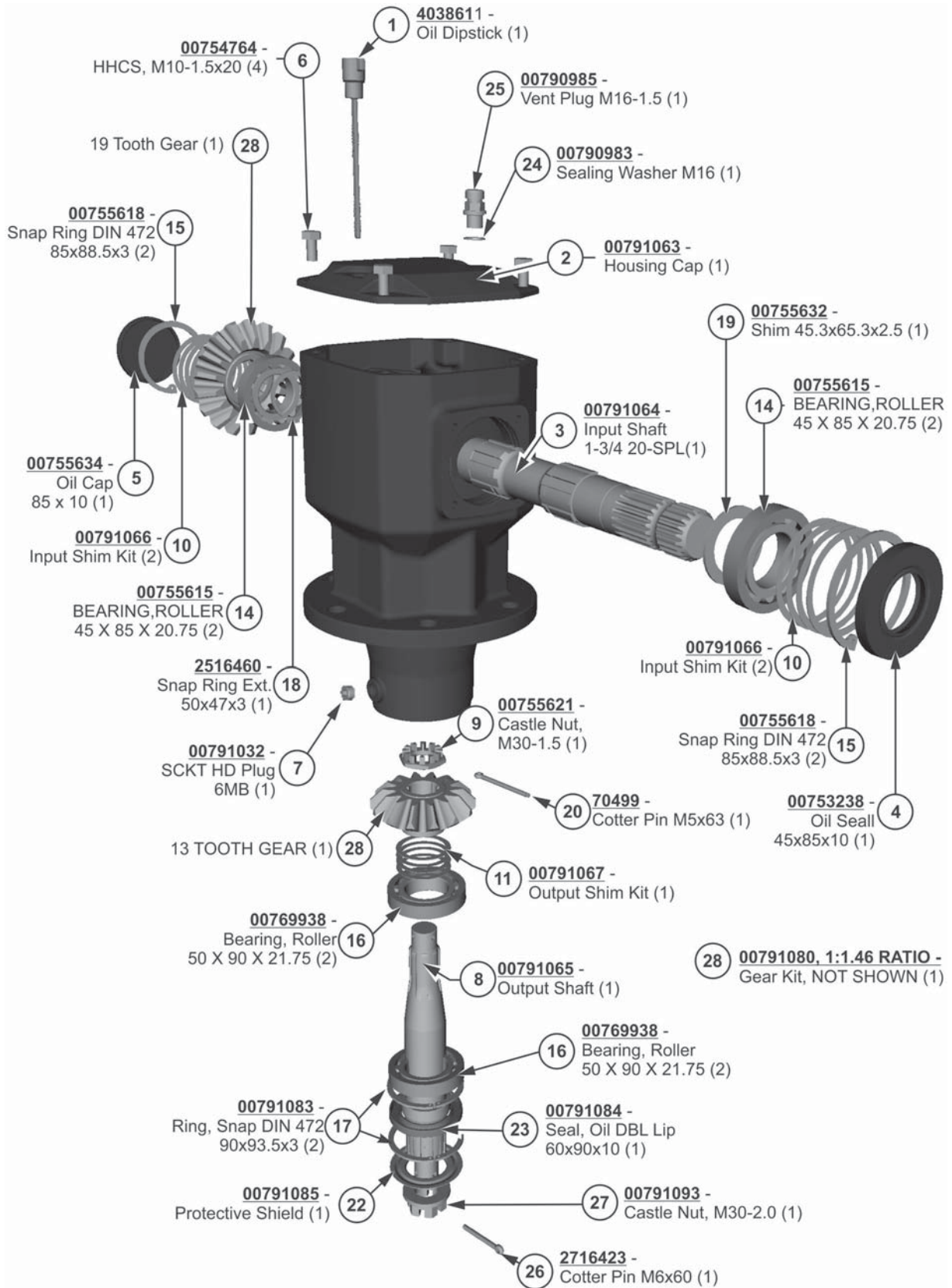
GEARBOX ASSEMBLY - 00791057 - 1:1.21 RATIO, 1000RPM 3150 LW



GEARBOX ASSEMBLY - 00791057 - 1:1.21 RATIO, 1000RPM 3150 LW

ITEM	PART NO.	QTY.	DESCRIPTION
1	4038611	1	DIPSTICK, OIL
2	00791063	1	CAP, HOUSING
3	00791064	1	SHAFT, INPUT 1-3/4 20-SPL
4	00753238	1	SEAL, OIL (45 X 85 X 10)
5	00755634	1	CAP, OIL (85 X 10)
6	00754764	4	HHCS, M10-1.5 X 20
7	00791032	1	PLUG, SOCKET HEAD-6MB
8	00791065	1	SHAFT, OUTPUT
9	00755621	1	NUT, CASTLE M30-1.5
10	00791066	2	KIT, INPUT SHIM
11	00791067	1	KIT, OUTPUT SHIM
14	00755615	2	BEARING, ROLLER - 45X85X20.75
15	00755618	2	RING, SNAP DIN 472 (85 X 88.5 X 3)
16	00769938	2	BEARING, ROLLER - 50X90X21.75
17	00791083	2	RING, SNAP DIN 472 (90 X 93.5 X 3)
18	2516460	1	RING, SNAP EXT. (50X47X3)
19	00755632	1	SHIM, (45.3X65.3X2.5)
20	70499	1	PIN, COTTER M5 X 63
22	00791085	1	SHIELD, PROTECTIVE
23	00791084	1	SEAL, OIL DBL LIP 60 X 90 X 10
24	00790983	1	WASHER, SEALING M16
25	00790985	1	PLUG, VENT M16-1.5
26	2716423	1	PIN, COTTER M6 X 60
27	00791093	1	NUT, CASTLE M30-2.0
28	00791079	1	GEAR KIT
	----	1	INCLUDED IN #28 - GEAR, 14 TOOTH
	----	1	INCLUDED IN #28 - GEAR, 17 TOOTH

GEARBOX ASSEMBLY - 00791058 - 1:1.46 RATIO, 540RPM 3100 RW & CENTER, 3150 RW

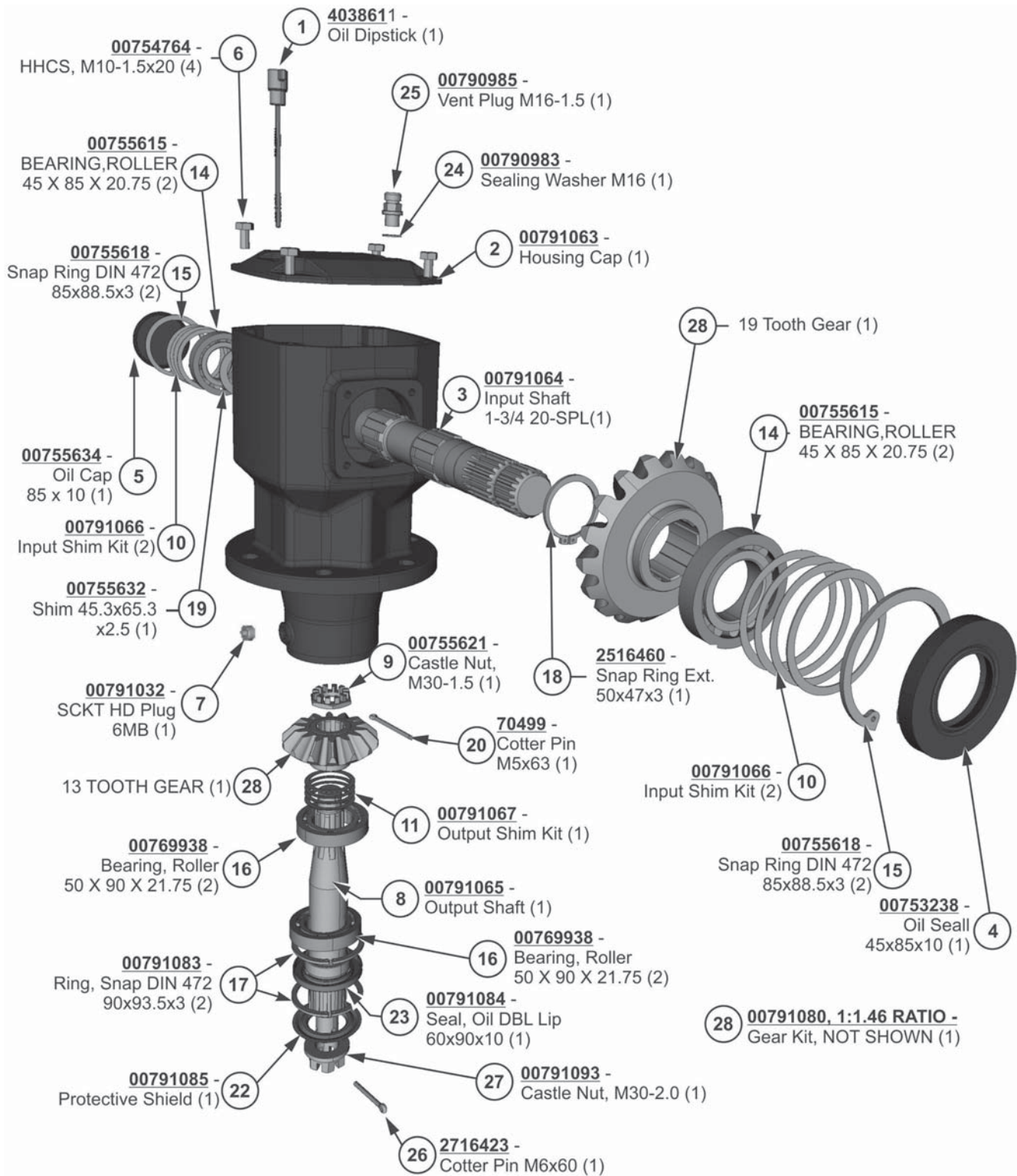


GEARBOX ASSEMBLY - 00791058 - 1:1.46 RATIO, 540RPM 3100 RW & CENTER, 3150 RW

Continued...

ITEM	PART NO.	QTY.	DESCRIPTION
1	4038611	1	DIPSTICK, OIL
2	00791063	1	CAP, HOUSING
3	00791064	1	SHAFT, INPUT 1-3/4 20-SPL
4	00753238	1	SEAL, OIL (45 X 85 X 10)
5	00755634	1	CAP, OIL (85 X 10)
6	00754764	4	HHCS, M10-1.5 X 20
7	00791032	1	PLUG, SOCKET HEAD-6MB
8	00791065	1	SHAFT, OUTPUT
9	00755621	1	NUT, CASTLE M30-1.5
10	00791066	2	KIT, INPUT SHIM
11	00791067	1	KIT, OUTPUT SHIM
14	00755615	2	BEARING, ROLLER - 45X85X20.75
15	00755618	2	RING, SNAP DIN 472 (85 X 88.5 X 3)
16	00769938	2	BEARING, ROLLER - 50X90X21.75
17	00791083	2	RING, SNAP DIN 472 (90 X 93.5 X 3)
18	2516460	1	RING, SNAP EXT. (50X47X3)
19	00755632	1	SHIM, (45.3X65.3X2.5)
20	70499	1	PIN, COTTER M5 X 63
22	00791085	1	SHIELD, PROTECTIVE
23	00791084	1	SEAL, OIL DBL LIP 60 X 90 X 10
24	00790983	1	WASHER, SEALING M16
25	00790985	1	PLUG, VENT M16-1.5
26	2716423	1	PIN, COTTER M6 X 60
27	00791093	1	NUT, CASTLE M30-2.0
28	00791080	1	GEAR KIT
----		1	INCLUDED IN #28 - GEAR, 13 TOOTH
----		1	INCLUDED IN #28 - GEAR, 19 TOOTH

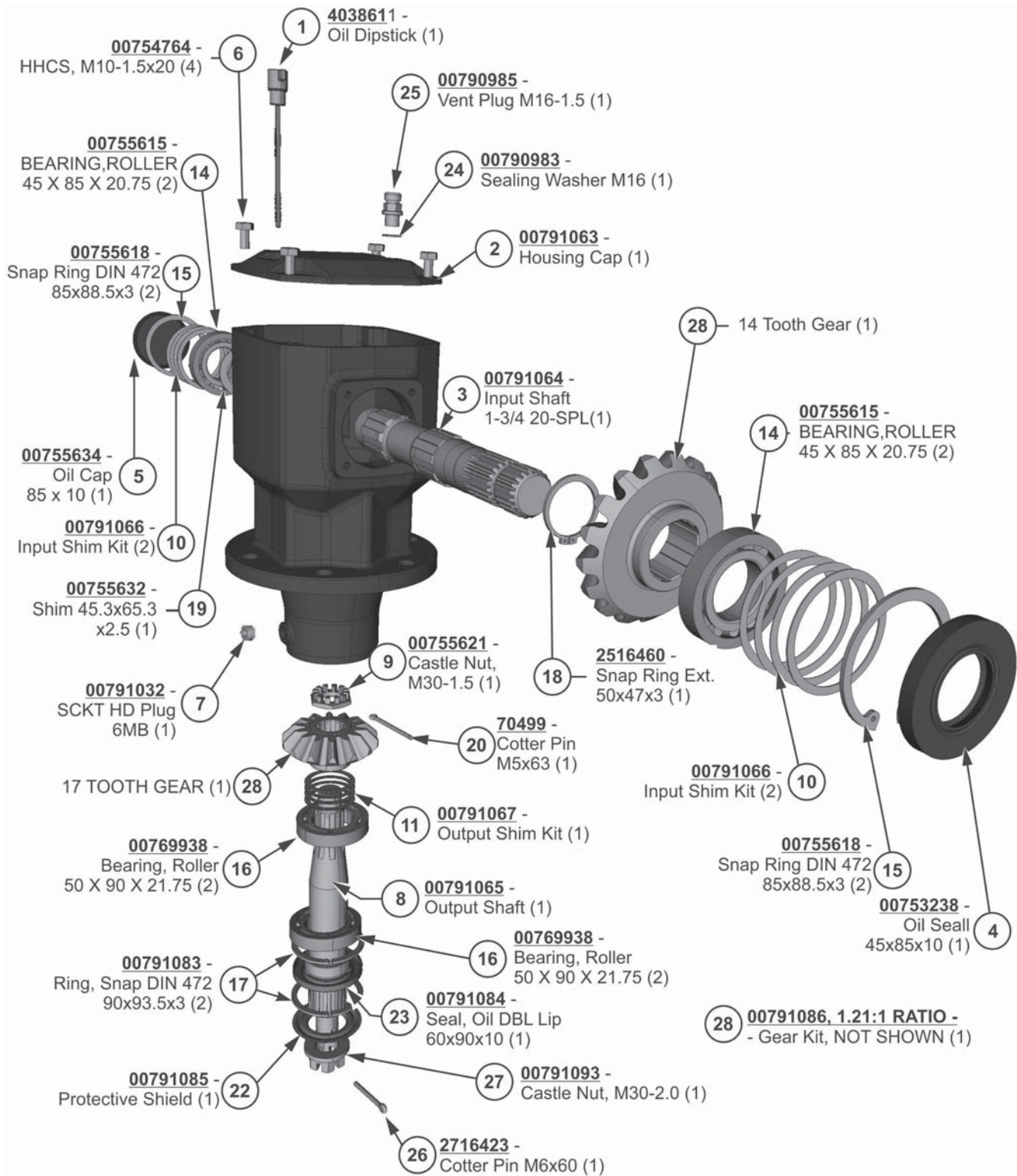
GEARBOX ASSEMBLY - 00791059 - 1:1.46 RATIO, 540RPM 3150 LW & CENTER



GEARBOX ASSEMBLY - 00791059 - 1:1.46 RATIO, 540RPM 3150 LW & CENTER

ITEM	PART NO.	QTY.	DESCRIPTION
1	4038611	1	DIPSTICK, OIL
2	00791063	1	CAP, HOUSING
3	00791064	1	SHAFT, INPUT 1-3/4 20-SPL
4	00753238	1	SEAL, OIL (45 X 85 X 10)
5	00755634	1	CAP, OIL (85 X 10)
6	00754764	4	HHCS, M10-1.5 X 20
7	00791032	1	PLUG, SOCKET HEAD-6MB
8	00791065	1	SHAFT, OUTPUT
9	00755621	1	NUT, CASTLE M30-1.5
10	00791066	2	KIT, INPUT SHIM
11	00791067	1	KIT, OUTPUT SHIM
14	00755615	2	BEARING, ROLLER - 45X85X20.75
15	00755618	2	RING, SNAP DIN 472 (85 X 88.5 X 3)
16	00769938	2	BEARING, ROLLER - 50X90X21.75
17	00791083	2	RING, SNAP DIN 472 (90 X 93.5 X 3)
18	2516460	1	RING, SNAP EXT. (50X47X3)
19	00755632	1	SHIM, (45.3X65.3X2.5)
20	70499	1	PIN, COTTER M5 X 63
22	00791085	1	SHIELD, PROTECTIVE
23	00791084	1	SEAL, OIL DBL LIP 60 X 90 X 10
24	00790983	1	WASHER, SEALING M16
25	00790985	1	PLUG, VENT M16-1.5
26	2716423	1	PIN, COTTER M6 X 60
27	00791093	1	NUT, CASTLE M30-2.0
28	00791080	1	GEAR KIT
	----	1	INCLUDED IN #28 - GEAR, 13 TOOTH
	----	1	INCLUDED IN #28 - GEAR, 19 TOOTH

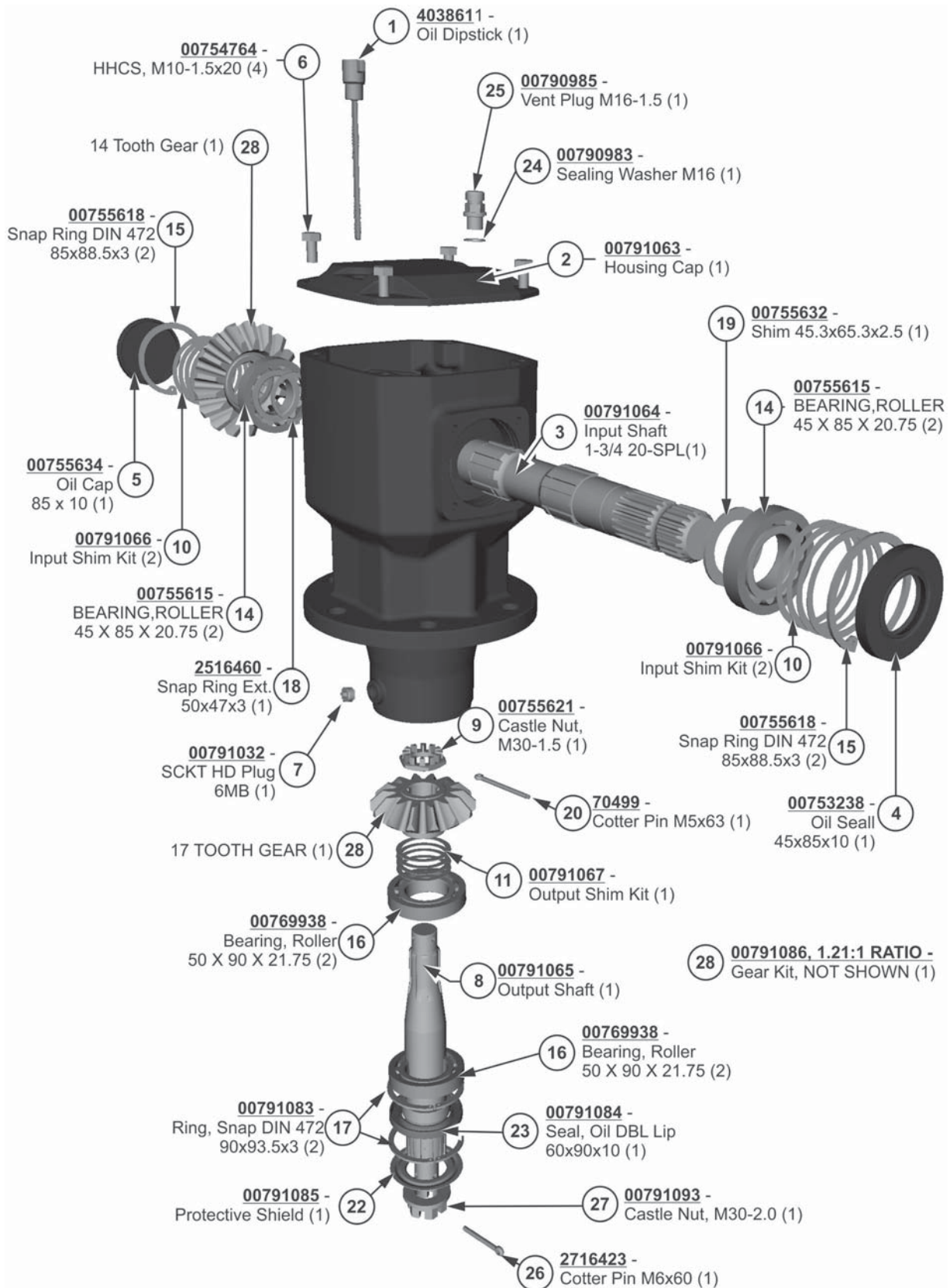
GEARBOX ASSEMBLY - 00791061 - 1:1.21 RATIO, 1000RPM 3150 CENTER



GEARBOX ASSEMBLY - 00791061 - 1:1.21 RATIO, 1000RPM 3150 CENTER

ITEM	PART NO.	QTY.	DESCRIPTION
1	4038611	1	DIPSTICK, OIL
2	00791063	1	CAP, HOUSING
3	00791064	1	SHAFT, INPUT 1-3/4 20-SPL
4	00753238	1	SEAL, OIL (45 X 85 X 10)
5	00755634	1	CAP, OIL (85 X 10)
6	00754764	4	HHCS, M10-1.5 X 20
7	00791032	1	PLUG, SOCKET HEAD-6MB
8	00791065	1	SHAFT, OUTPUT
9	00755621	1	NUT, CASTLE M30-1.5
10	00791066	2	KIT, INPUT SHIM
11	00791067	1	KIT, OUTPUT SHIM
14	00755615	2	BEARING, ROLLER - 45X85X20.75
15	00755618	2	RING, SNAP DIN 472 (85 X 88.5 X 3)
16	00769938	2	BEARING, ROLLER - 50X90X21.75
17	00791083	2	RING, SNAP DIN 472 (90 X 93.5 X 3)
18	2516460	1	RING, SNAP EXT. (50X47X3)
19	00755632	1	SHIM, (45.3X65.3X2.5)
20	70499	1	PIN, COTTER M5 X 63
22	00791085	1	SHIELD, PROTECTIVE
23	00791084	1	SEAL, OIL DBL LIP 60 X 90 X 10
24	00790983	1	WASHER, SEALING M16
25	00790985	1	PLUG, VENT M16-1.5
26	2716423	1	PIN, COTTER M6 X 60
27	00791093	1	NUT, CASTLE M30-2.0
28	00791086	1	GEAR KIT
	----	1	INCLUDED IN #28 - GEAR, 17 TOOTH
	----	1	INCLUDED IN #28 - GEAR, 14 TOOTH

GEARBOX ASSEMBLY - 00791098 - 1.21:1 RATIO, 1000RPM 3100 CENTER

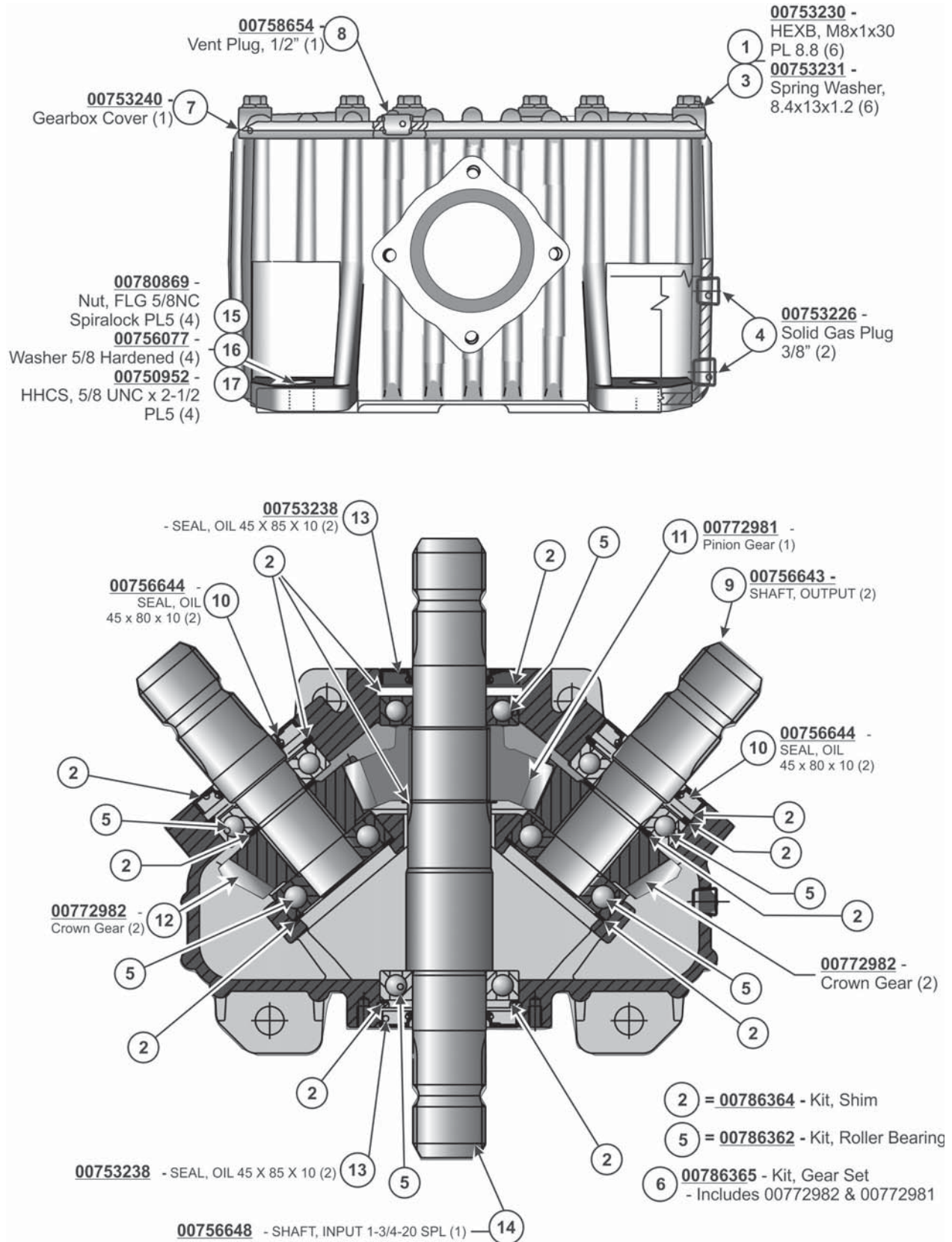


GEARBOX ASSEMBLY - 00791098 - 1.21:1 RATIO, 1000RPM 3100 CENTER

Continued...

ITEM	PART NO.	QTY.	DESCRIPTION
1	4038611	1	DIPSTICK, OIL
2	00791063	1	CAP, HOUSING
3	00791064	1	SHAFT, INPUT 1-3/4 20-SPL
4	00753238	1	SEAL, OIL (45 X 85 X 10)
5	00755634	1	CAP, OIL (85 X 10)
6	00754764	4	HHCS, M10-1.5 X 20
7	00791032	1	PLUG, SOCKET HEAD-6MB
8	00791065	1	SHAFT, OUTPUT
9	00755621	1	NUT, CASTLE M30-1.5
10	00791066	2	KIT, INPUT SHIM
11	00791067	1	KIT, OUTPUT SHIM
14	00755615	2	BEARING, ROLLER - 45X85X20.75
15	00755618	2	RING, SNAP DIN 472 (85 X 88.5 X 3)
16	00769938	2	BEARING, ROLLER - 50X90X21.75
17	00791083	2	RING, SNAP DIN 472 (90 X 93.5 X 3)
18	2516460	1	RING, SNAP EXT. (50X47X3)
19	00755632	1	SHIM, (45.3X65.3X2.5)
20	70499	1	PIN, COTTER M5 X 63
22	00791085	1	SHIELD, PROTECTIVE
23	00791084	1	SEAL, OIL DBL LIP 60 X 90 X 10
24	00790983	1	WASHER, SEALING M16
25	00790985	1	PLUG, VENT M16-1.5
26	2716423	1	PIN, COTTER M6 X 60
27	00791093	1	NUT, CASTLE M30-2.0
28	00791086	1	GEAR KIT - INCLUDES ITEMS 12 & 13
	-----	1	INCLUDED IN #28 - GEAR, 17 TOOTH
	-----	1	INCLUDED IN #28 -GEAR, 14 TOOTH

GEARBOX ASSEMBLY - DIVIDER, 00755697A 1000RPM

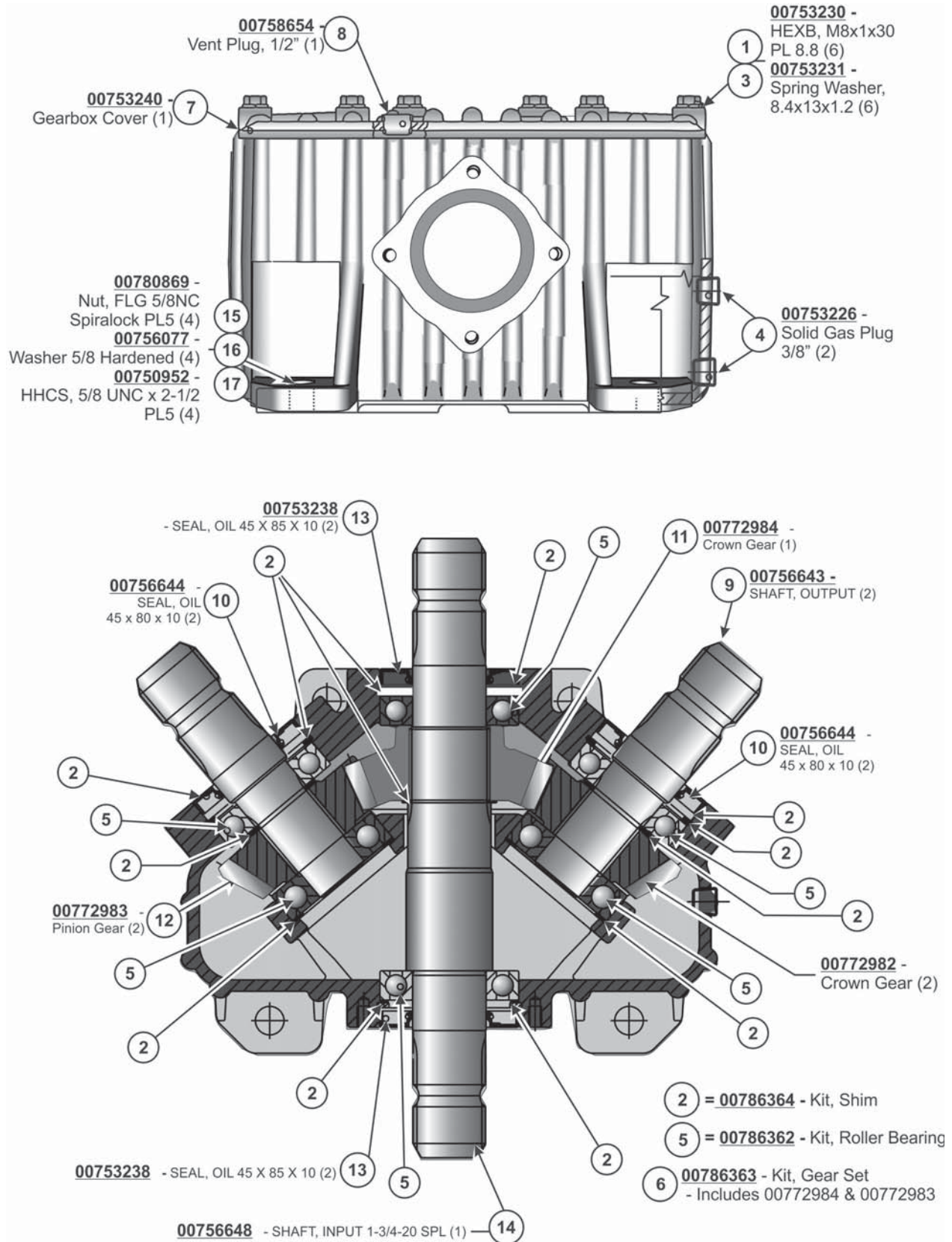


GEARBOX ASSEMBLY - DIVIDER, 00755697A 1000RPM

Continued...

ITEM	PART NO.	QTY.	DESCRIPTION
1	00753230	6	HEXB, M8X1X30 PL 8.8
2	00786364	1	KIT, SHIM
3	00753231	6	SPRING WASHER, 8.4X13X1.2
4	00753226	2	SOLID GAS PLUG 3/8"
5	00786362	1	KIT, ROLLER BEARING
6	00786365	1	KIT, GEAR SET
7	00753240	1	GEARBOX COVER
8	00758654	1	VENT PLUG, 1/2"
9	00756643	2	SHAFT, OUTPUT
10	00756644	2	SEAL, OIL 45 X 80 X 10
11	00772981	1	PINION GEAR
12	00772982	2	CROWN GEAR
13	00756644	2	SEAL, OIL 45 X 80 X 10
14	00756648	1	SHAFT, INPUT
15	00780869	4	NUT, FLG 5/8NC SPIRALOCK PL5
16	00756077	4	WASHER 5/8 HARDENED
17	00750952	4	HHCS, 5/8 UNC X 2-1/2 PL5

GEARBOX ASSEMBLY - DIVIDER, 00756603A 540RPM

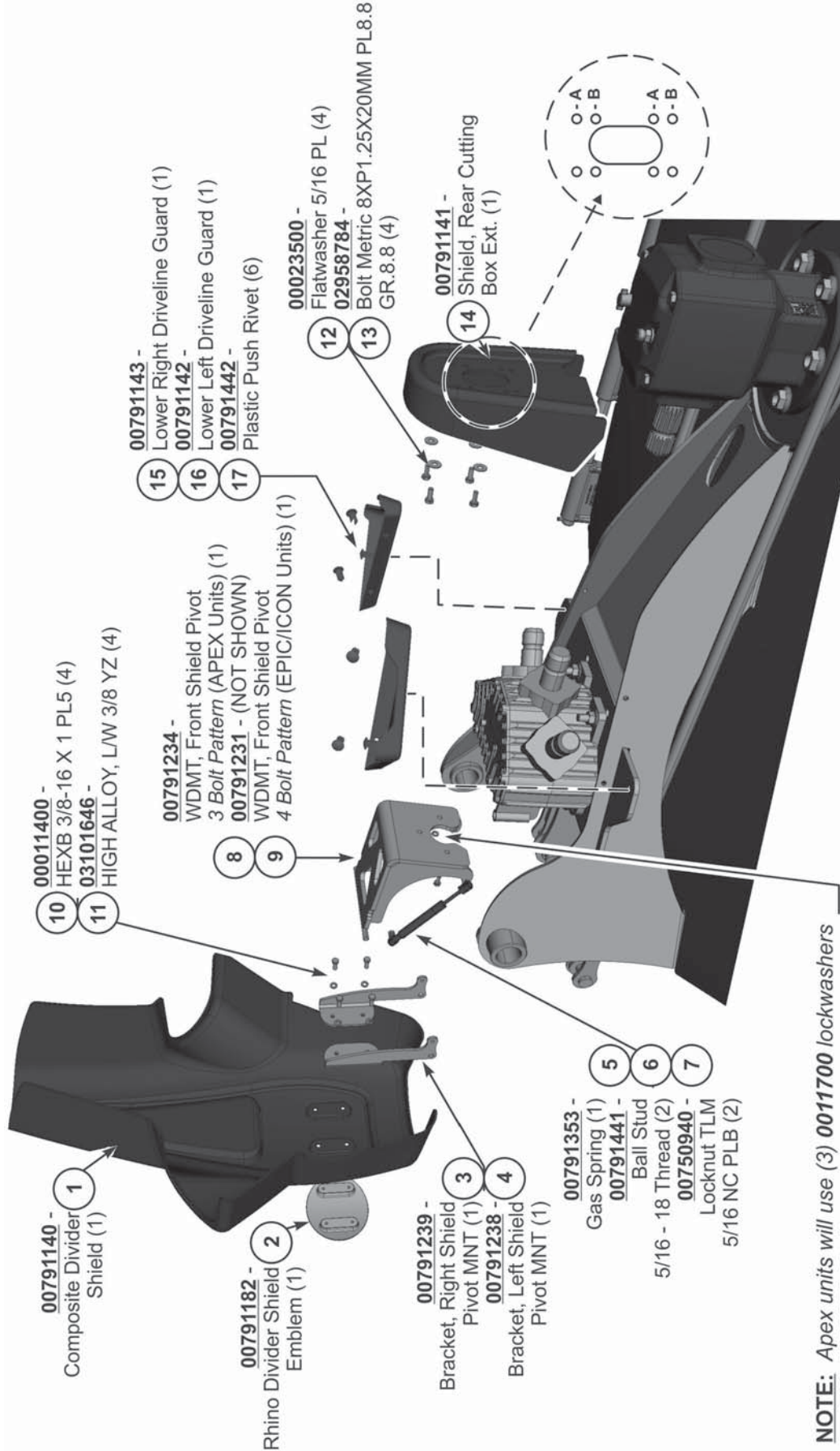


GEARBOX ASSEMBLY - DIVIDER, 00756603A 540RPM

Continued...

ITEM	PART NO.	QTY.	DESCRIPTION
1	00753230	6	HEXB, M8X1X30 PL 8.8
2	00786364	1	KIT, SHIM
3	00753231	6	SPRING WASHER, 8.4X13X1.2
4	00753226	2	SOLID GAS PLUG 3/8"
5	00786362	1	KIT, ROLLER BEARING
6	00786363	1	KIT, GEAR SET
7	00753240	1	GEARBOX COVER
8	00758654	1	VENT PLUG, 1/2"
9	00756643	2	SHAFT, OUTPUT
10	00756644	2	SEAL, OIL 45 X 80 X 10
11	00772983	1	PINION GEAR
12	00772984	2	CROWN GEAR
13	00756644	2	SEAL, OIL 45 X 80 X 10
14	00756648	1	SHAFT, INPUT
15	00780869	4	NUT, FLG 5/8NC SPIRALOCK PL5
16	00756077	4	WASHER 5/8 HARDENED
17	00750952	4	HHCS, 5/8 UNC X 2-1/2 PL5

GEARBOX SHIELD ASSEMBLY - DIVIDER & CENTER



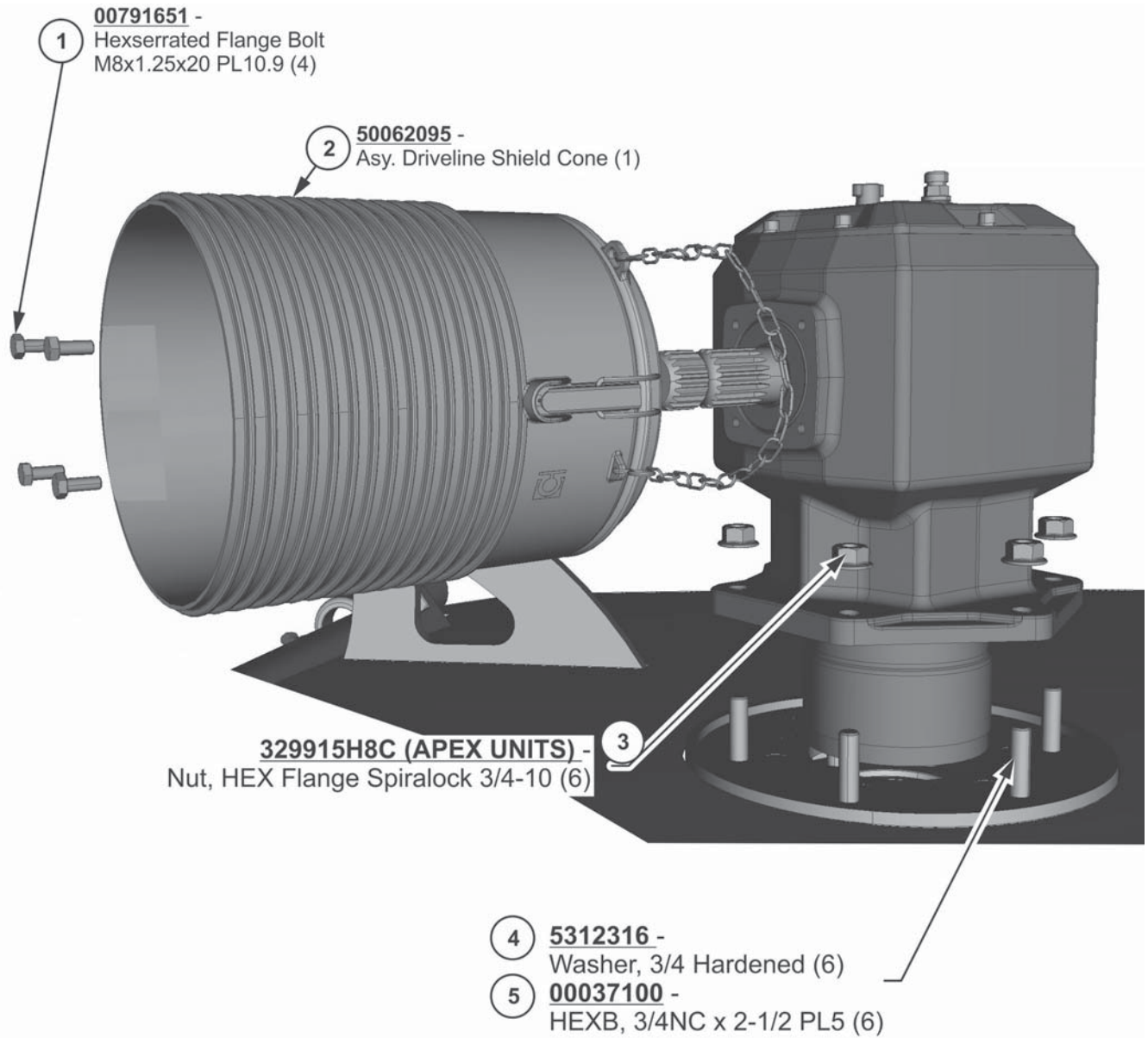
NOTE: Apex units will use (3) 0011700 lockwashers and (3) 02958784 bolts.

NOTE: Apex units will use the bottom four bolt pattern (B).

GEARBOX SHIELD ASSEMBLY - DIVIDER & CENTER

ITEM	PART NO.	QTY.	DESCRIPTION
1	00791140	1	COMPOSITE DIVIDER SHIELD (1)
2	00791182	1	RHINO DIVIDER SHIELD EMBLEM (1)
3	00791239	1	BRACKET, RIGHT SHIELD PIVOT MNT (1)
4	00791238	1	BRACKET, LEFT SHIELD PIVOT MNT (1)
5	00791353	1	GAS SPRING (1)
6	00791441	2	BALL STUD 5/16 - 18 THREAD (2)
7	00750940	2	LOCKNUT TLM 5/16 NC PLB (2)
8	00791234	1	WDMT, FRONT SHIELD PIVOT (APEX UNITS) (1)
9	00791231	1	WDMT, FRONT SHIELD PIVOT (EPIC/ICON UNITS) (1)
10	00011400	4	HEXB 3/8-16 X 1 PL5 (4)
11	03101646	4	HIGH ALLOY, L/W 3/8 YZ (4)
12	00023500	4	FLATWASHER 5/16 PL (4)
13	02958784	4	BOLT METRIC 8XP1.25X20MM PL8.8 GR.8.8 (4)
14	00791141	1	SHIELD, REAR CUTTING BOX EXT. (1)
15	00791143	1	LOWER RIGHT DRIVELINE GUARD (1)
16	00791142	1	LOWER LEFT DRIVELINE GUARD (1)
17	00791442	6	PLASTIC PUSH RIVET (6)

GEARBOX SHIELD ASSEMBLY - WING



ITEM	PART NO.	QTY.	DESCRIPTION
1	00791651	4	HEXSERRATED FLANGE BOLT M8X1.25X20 PL10.9
2	50062095	1	ASY. DRIVELINE SHIELD CONE
3	329915H8C	6	NUT, HEX FLANGE SPIRALOCK 3/4-10 (APEX)
4	5312316	6	WASHER, 3/4 HARDENED (APEX)
5	00037100	6	HEXB, 3/4NC X 2-1/2 PL5 (APEX)

BLANK INTENTIONALLY

GEARBOX, BLADES, & ROTATION CHART - 3100

3100 - 540RPM

- Gbox, 00791058 1:1.46 (1)
- Blades, 0582010332 CW (2)

3100 - 1000RPM

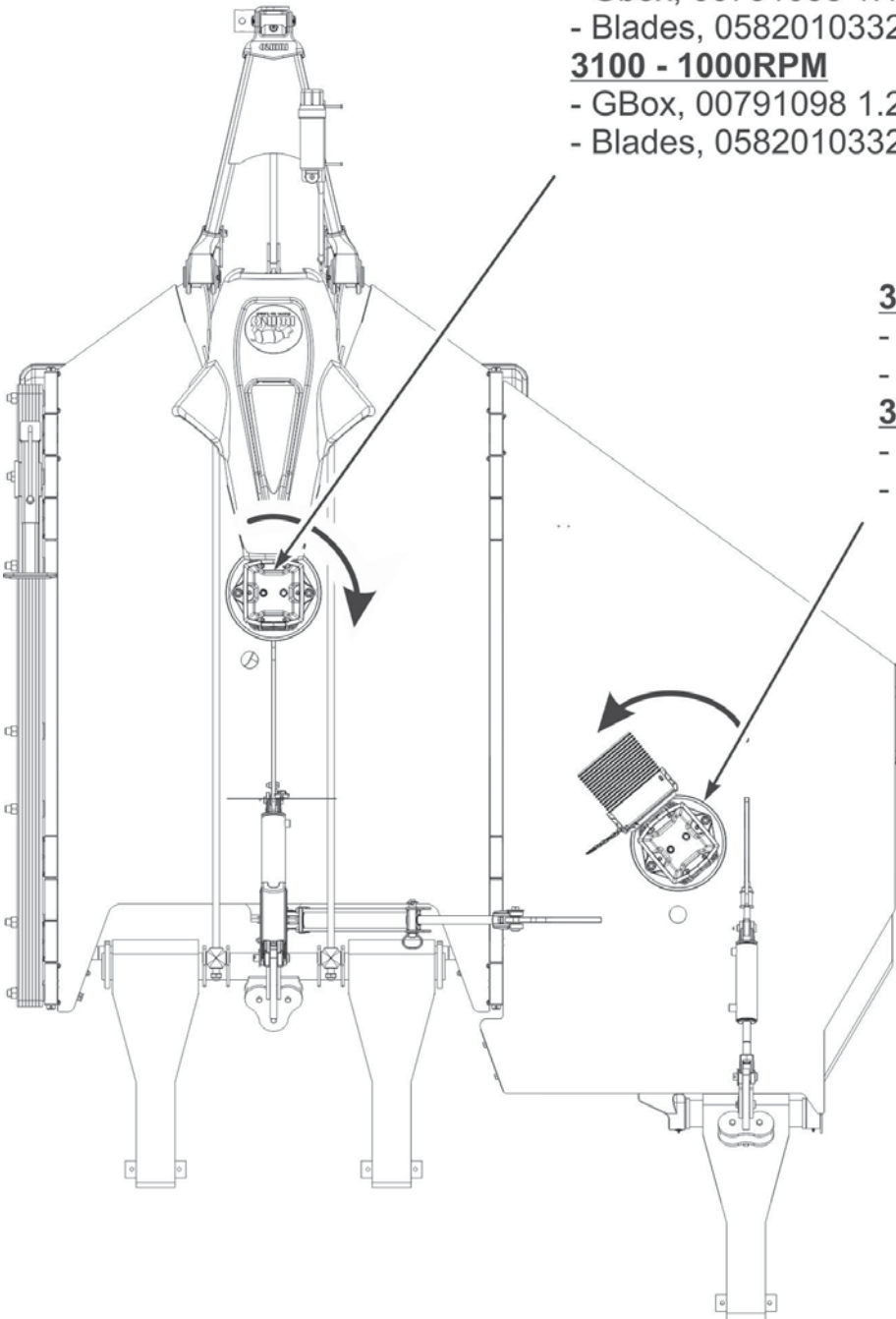
- GBox, 00791098 1.21:1 (1)
- Blades, 0582010332 CW (2)

3100 - 540RPM

- Gbox, 00791058 1:1.46 (1)
- Blades, 00759339 Updraft CCW (2)

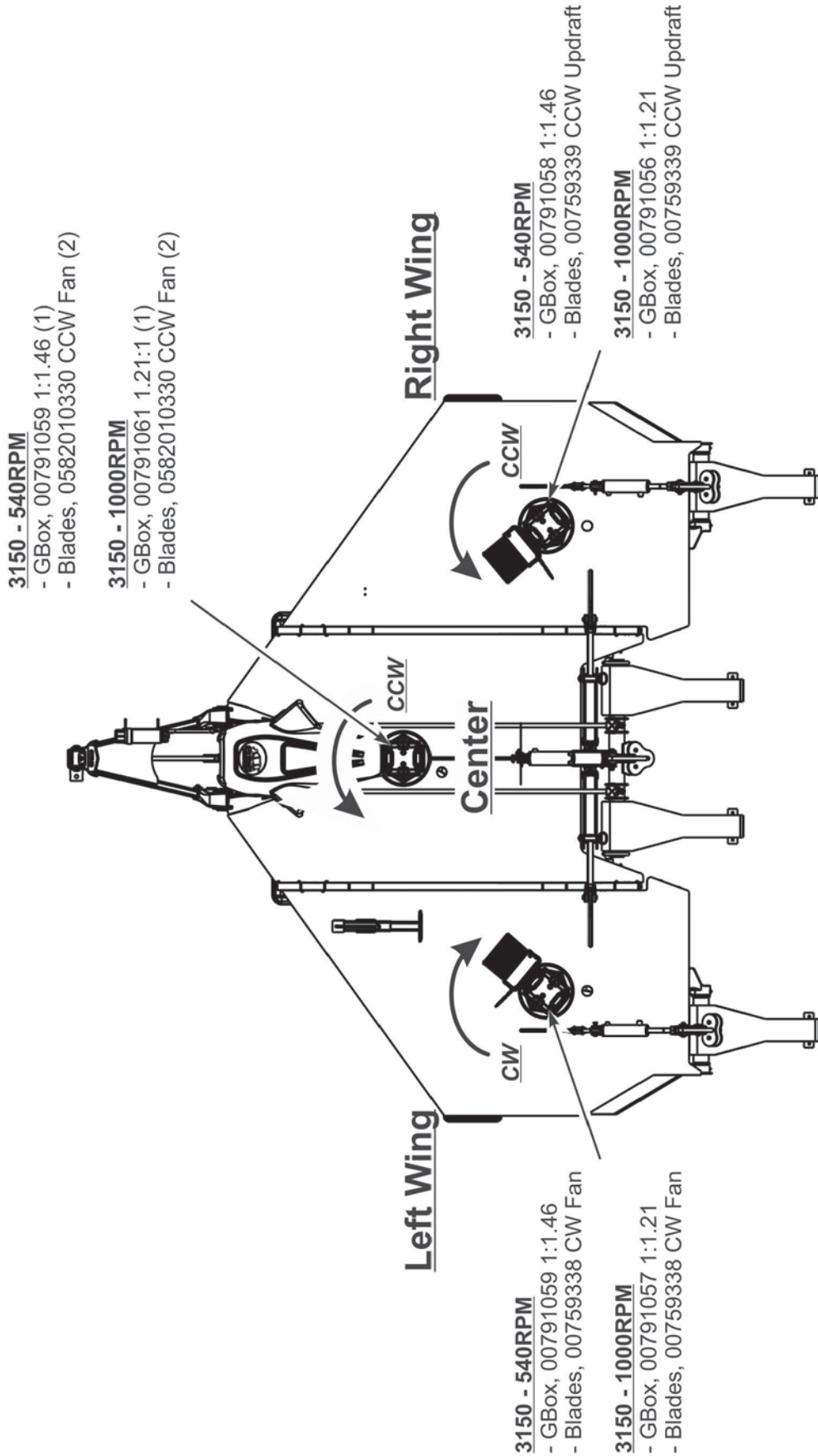
3100 - 1000RPM

- GBox, 00791056 1.21:1 (1)
- Blades, 00759339 Updraft CCW (2)

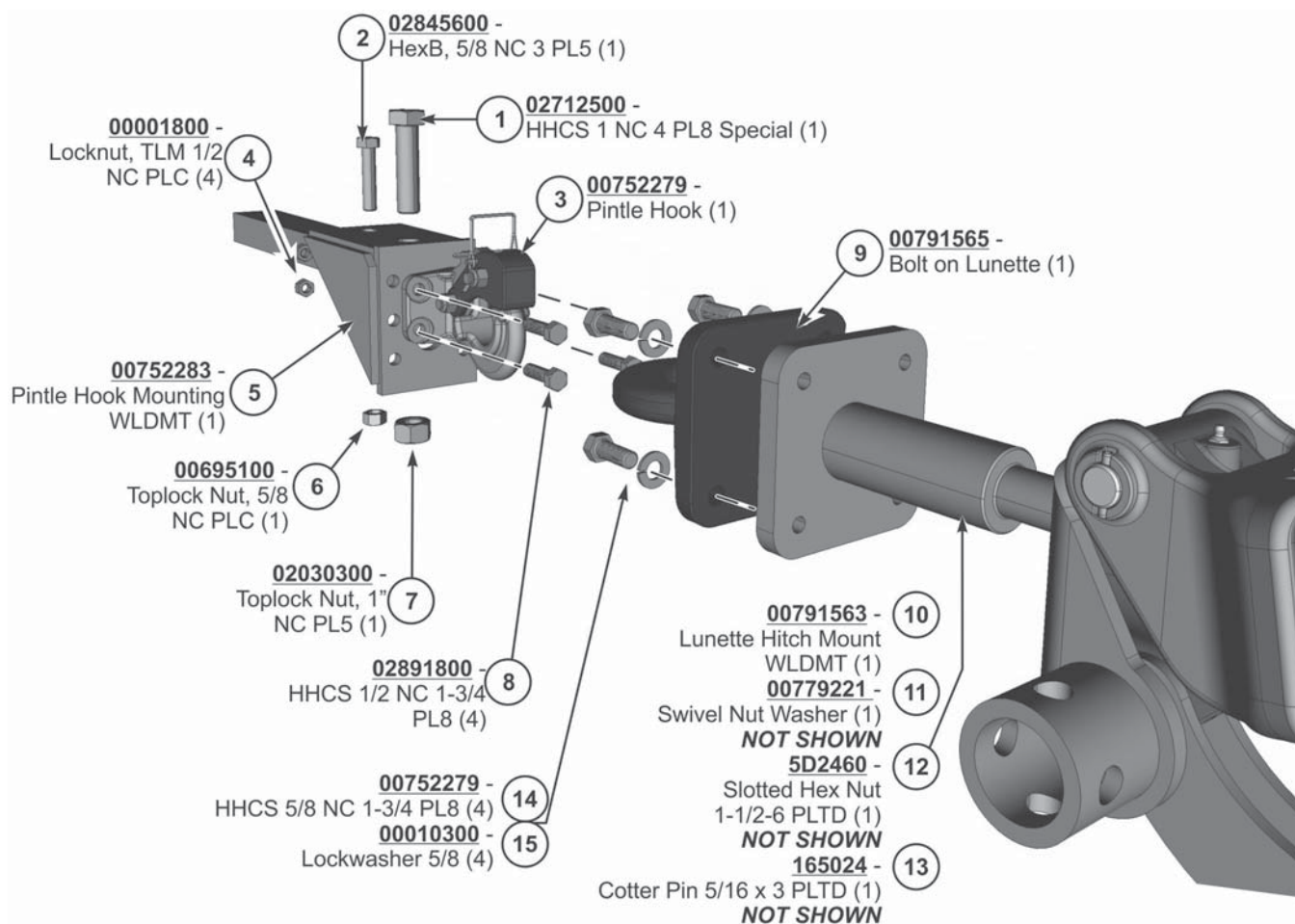


GEARBOX, BLADES, & ROTATION CHART - 3150

15' UNITS



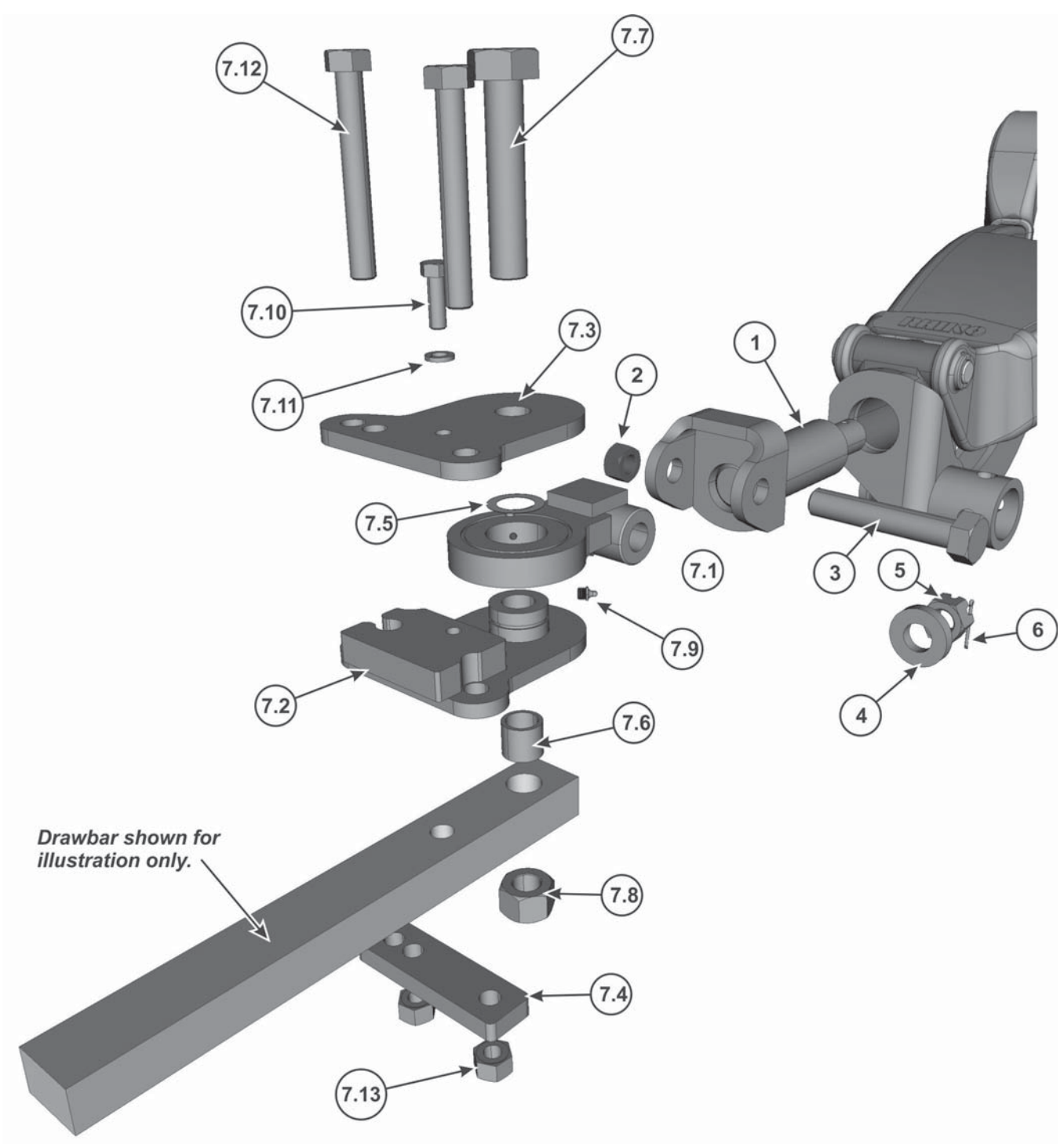
HITCH ASSEMBLY - PINTLE (OPTIONAL)



ITEM	PART NO.	QTY.	DESCRIPTION
1	02712500	1	HHCS 1 NC 4 PL8 SPECIAL
2	02845600	1	HEXB, 5/8 NC 3 PL5
3	00752279	1	PINTLE HOOK
4	00001800	4	LOCKNUT, TLM 1/2 NC PLC
5	00752283	1	PINTLE HOOK MOUNTING WLDMT
6	00695100	1	TOPLOCK NUT, 5/8 NC PLC
7	02030300	1	TOPLOCK NUT, 1" NC PL5
8	02891800	4	HHCS 1/2 NC 1-3/4 PL8
9	00791565	1	BOLT ON LUNETTE
10	00791563	1	LUNETTE HITCH MOUNT WLDMT
11	00779221	1	SWIVEL NUT WASHER , NOT SHOWN
12	5D2460	1	SLOTTED HEX NUT 1-1/2-6 PLTD , NOT SHOWN
13	165024	1	COTTER PIN 5/16 X 3 PLTD , NOT SHOWN
14	00752279	4	HHCS 5/8 NC 1-3/4 PL8
15	00010300	4	LOCKWASHER 5/8

BLANK INTENTIONALLY

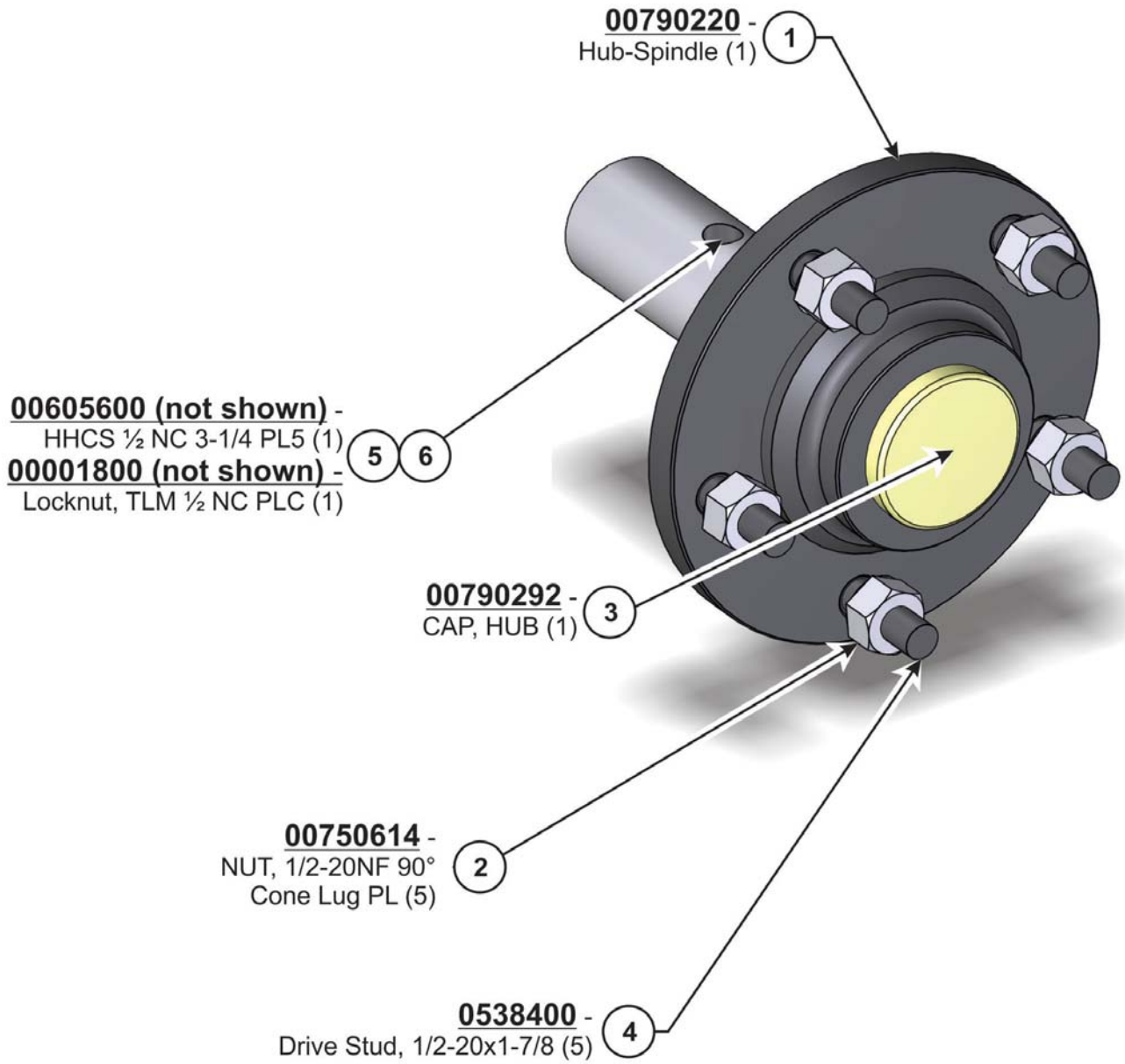
HITCH ASSEMBLY - PRECISION (OPTIONAL)



HITCH ASSEMBLY - PRECISION (OPTIONAL)

ITEM	PART NO.	QTY.	DESCRIPTION
1	00791559	1	WELDMENT, PRECISION HITCH MOUNT
2	5JRC1680	1	NUT TOPLOCK 1 NC PL
3	00755076	1	HHCS, 1 NC 5 1/2 PL8
4	00779221	1	PLATE, SWIVEL NUT WASHER
5	5D2460	1	NUT,HEX SLOTTED 1-1/2-6 PLATED
6	165024	1	COTTER PIN 5/16X3 PLTD
7	00786472	1	PRECISION HITCH KIT
7.1	00786475	1	PRECISION HITCH TONGUE
7.2	00786477	1	BAR, CLEVIS BASE
7.3	00786474	1	DRAWBAR CLEVIS TOP
7.4	00786478	1	CLAMP BAR
7.5	00786479	1	MACHINE BUSHING SPACER
7.6	00786476	1	SPACER, 1 1/8 ID X 1 1/2 OD X 1 1/4 LONG
7.7	00786473	1	BOLT, 1-1/8 -12UNF X 5-1/2 PL5
7.8	02978796	1	LOCKNUT, 1-1/8 - 12UNF
7.9	00003500	3	GREASE ZERK 1/8 STRAIGHT
7.1	00748823	1	HHCS 1/2-13 UNC X 1-1/2 GR.5 PL
7.11	00001300	1	WASHER, LOCK 1/2 GD8 YDP
7.12	00748598	2	HEXB 3/4-10UNC 5-1/2 PL5
7.13	00037200	2	NUT,HEX TOPLOCK 3/4 NC GR.C PL

HUB AND SPINDLE ASSEMBLY - 00790220

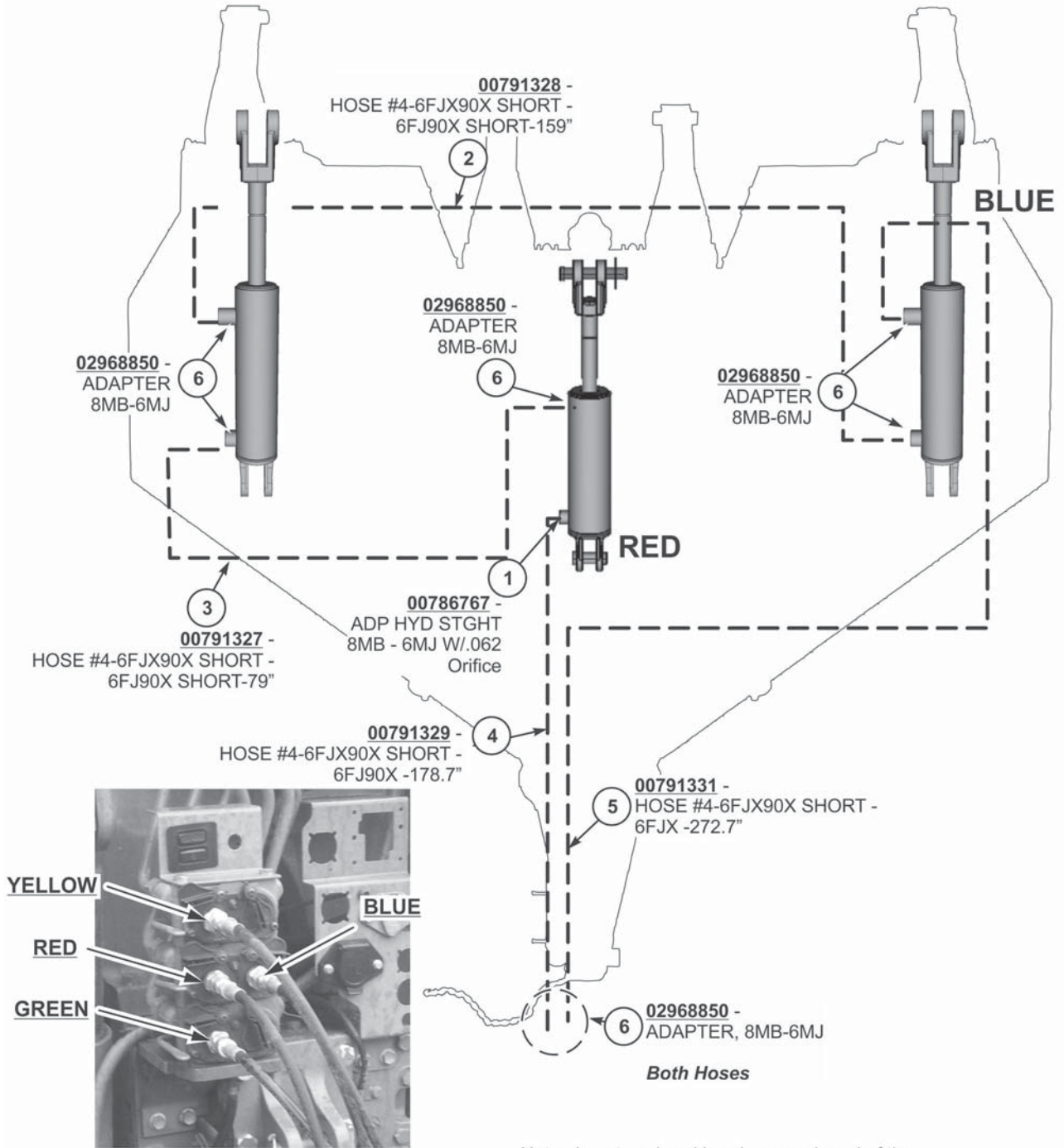


ITEM	PART NO.	QTY.	DESCRIPTION
1	00790220	1	HUB-SPINDLE (1)
2	00750614	5	NUT, 1/2-20NF 90° CONE LUG PL (5)
3	00790292	1	CAP, HUB (1)
4	0538400	5	DRIVE STUD, 1/2-20X1-7/8 (5)
5	00605600	1	HHCS ½ NC 3-1/4 PL5 (1)
6	00001800	1	LOCKNUT, TLM ½ NC PLC (1)

BLANK INTENTIONALLY

HYDRAULIC HOSE LAYOUT - AXLE CYLINDER

AXLE CYLINDER HYDRAULIC SCHEMATIC



Note: Locate colored bands on each end of the hose indicated in the following chart.

Color Identifier	Hose Part Number	Hose Length (Ref)
Red	00791329	178.7"
Blue	00791331	272.7"
Green	00791330	214.7"
Yellow	00791330	214.7"

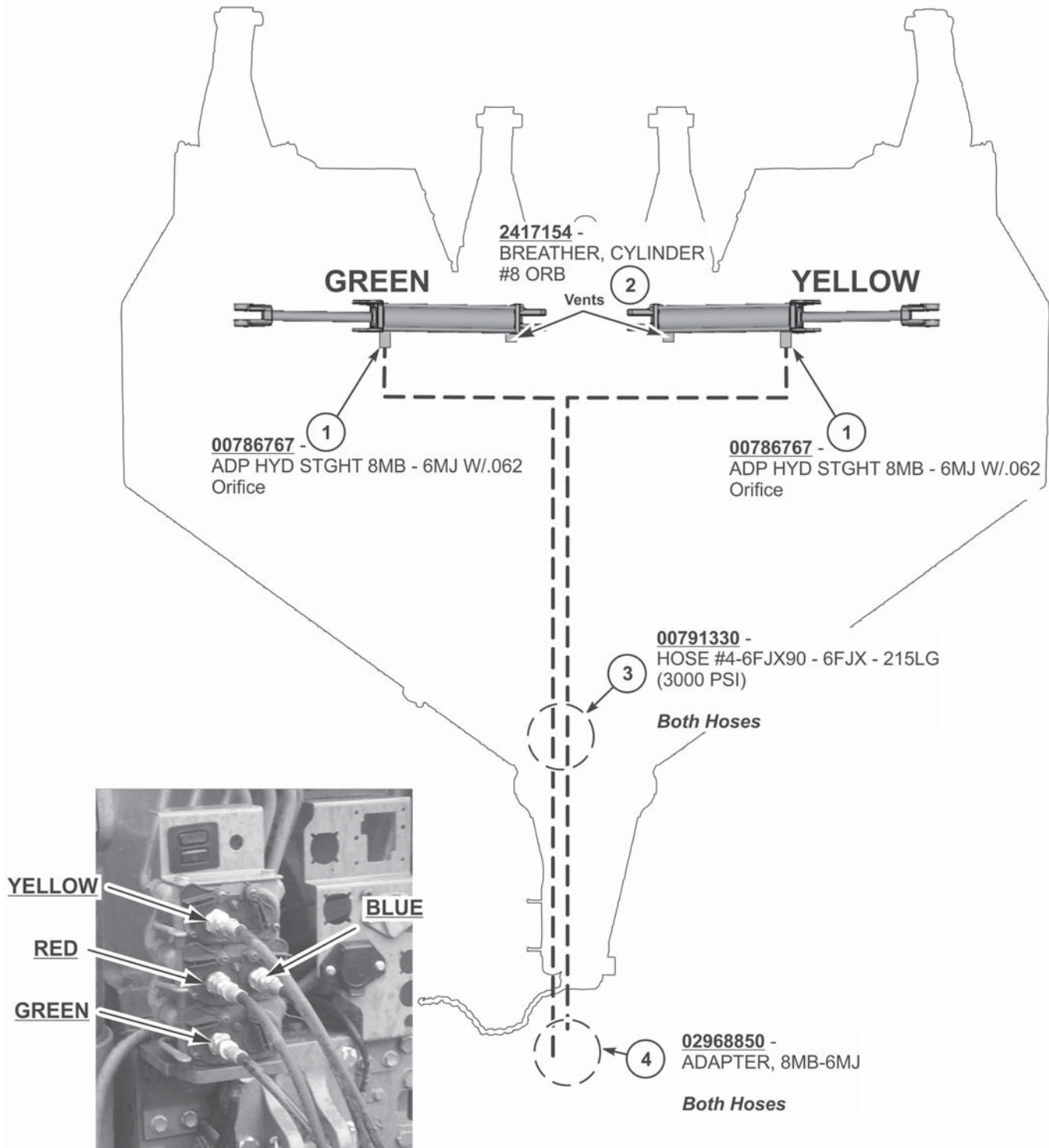
HYDRAULIC HOSE LAYOUT - AXLE CYLINDER

Continued...

ITEM	PART NO.	QTY.	DESCRIPTION
1	00786767	1	ADP HYD STGHT 8MB - 6MJ W/.062 (ORIFICE)
2	00791328	1	HOSE #4-6FJX90X SHORT - 6FJ90X SHORT-159"
3	00791327	1	HOSE #4-6FJX90X SHORT - 6FJ90X SHORT-79"
4	00791329	1	HOSE #4-6FJX90X SHORT - 6FJ90X -178.7" (RED)
5	00791331	1	HOSE #4-6FJX90X SHORT - 6FJX -272.7" (BLUE)
6	02968850	7	ADAPTER, 8MB-6MJ

HYDRAULIC HOSE LAYOUT - WING LIFT

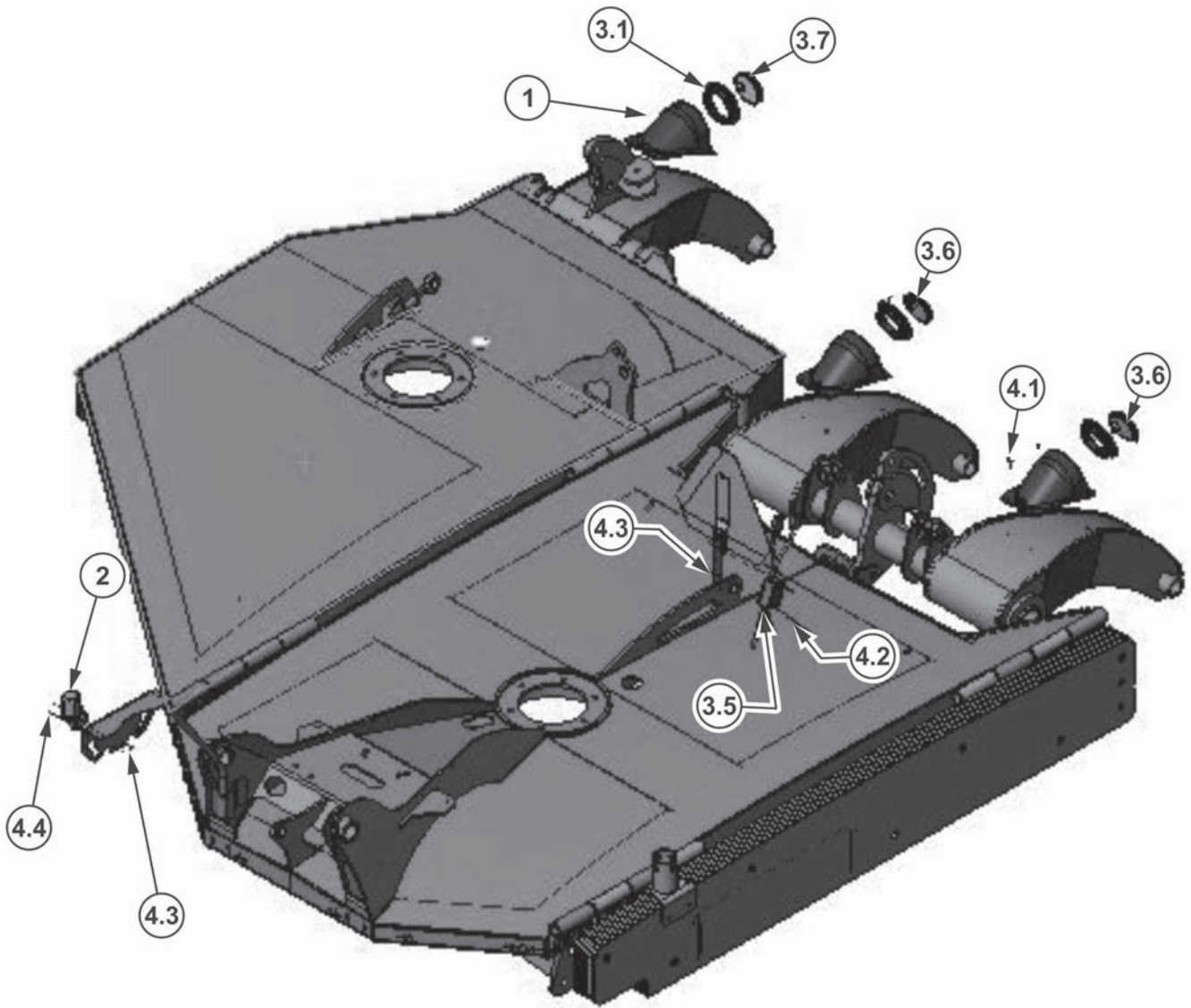
WING LIFT CYLINDER HYDRAULIC SCHEMATIC



HYDRAULIC HOSE LAYOUT - WING LIFT

ITEM	PART NO.	QTY.	DESCRIPTION
1	00786767	2	ADP HYD STGHT 8MB - 6MJ W/.062
2	2417154	2	BREATHER, CYLINDER #8 ORB
3	00791330	2	HOSE #4-6FJX90 - 6FJX - 215LG (3000 PSI)
4	00791329	1	RED, 178.7"
5	00791331	1	BLUE, 272.7"
6	00791330	2	GREEN/YELLOW, 214.7"

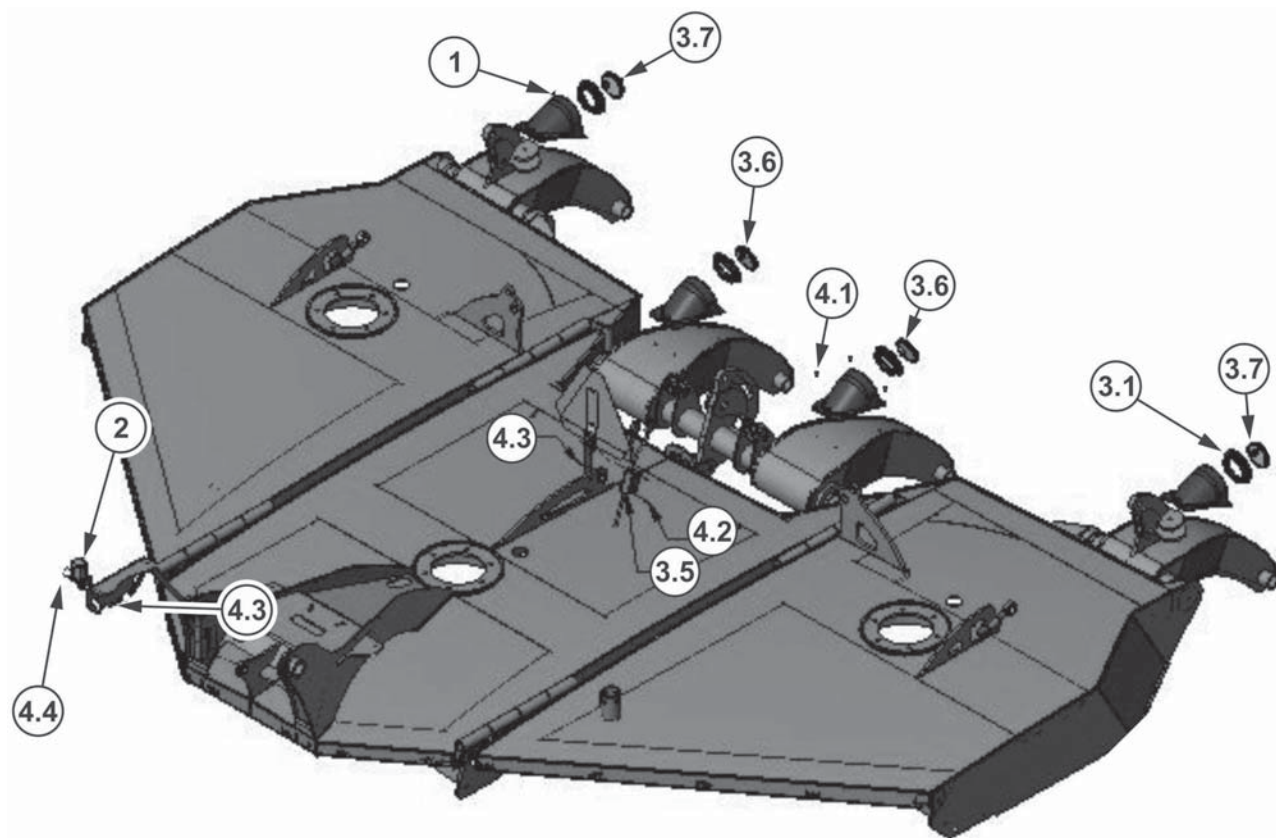
LIGHT KIT - 3100



LIGHT KIT - 3100

ITEM	PART NO.	QTY.	DESCRIPTION
1	00791672	3	HOUSING, 4IN ROUND LIGHT
2	2467903	1	HOLDER, 7-WAY CONNECTOR PLUG
3	00791740	1	KIT, 4" ROUND LED LIGHT - 10`
3.1	00791720	4	MOUNT, 4" ROUND GROMMET
3.2	00791724	1	HARNESS, RH WISHBONE WIRING
3.3	00791725	1	HARNESS, LH WISHBONE WIRING
3.4	00791727	1	HARNESS, MAIN WIRING
3.5	00791726	1	MODULE, AG ENHANCE FLASHER
3.6	00791719	2	LIGHT, 4" ROUND RED
3.7	00791718	2	LIGHT, 4" ROUND AMBER
4	6B1704	1	BOLT BOX, 10FT FLEXWING LIGHT BUNDLE
4.1	00780878	12	RIVET, 3/16 POP X 15/32" G.R.
4.2	3263N11C	2	SCREW,PHLP PN HD 10-24 X 1 PL
4.3	329023C	4	HEX LOCKNUT #10-24
4.4	3263N6C	2	PAN HEAD SCREW 10-24 X 1/2
4.5	8137-1	6	STRAP, ADJUSTABLE
4.6	00791753	4	CABLE TIE, 3/4" ADHESIVE BACK

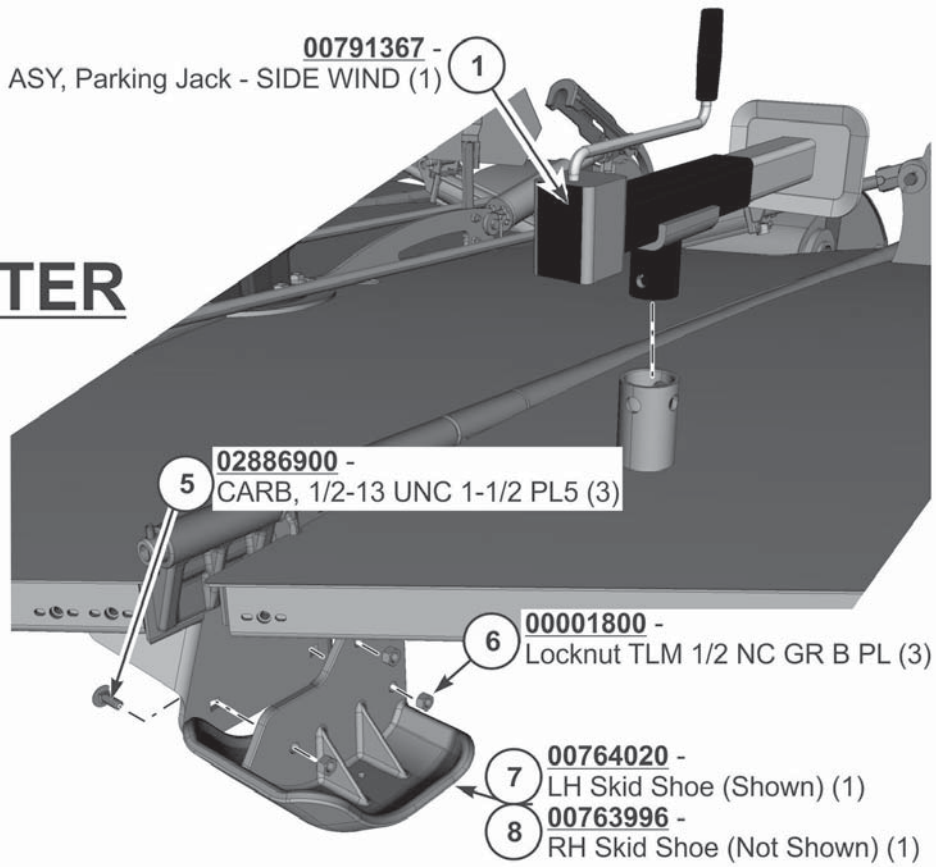
LIGHT KIT - 3150



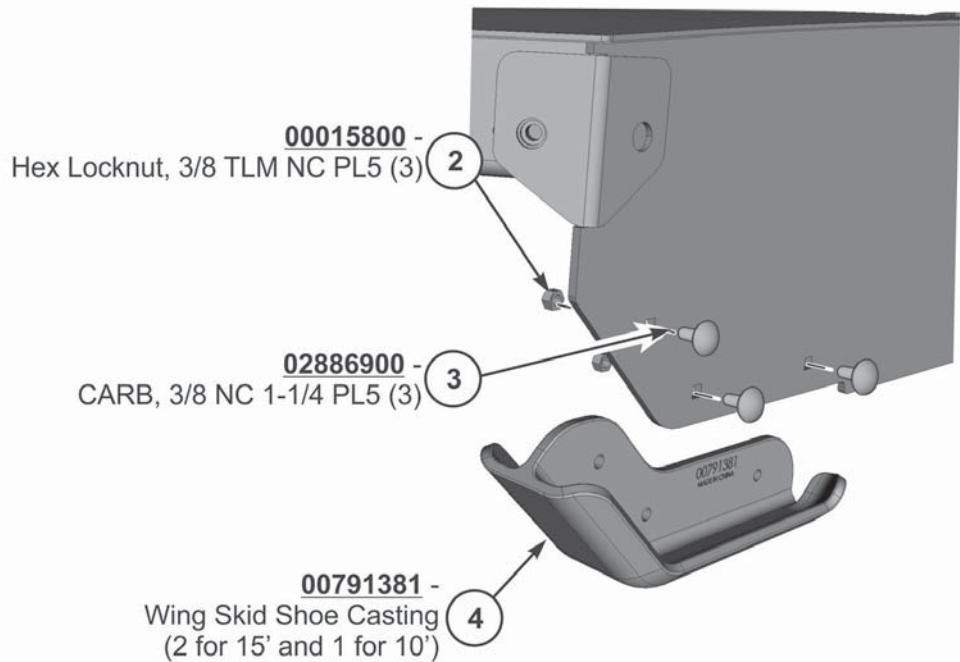
ITEM	PART NO.	QTY.	DESCRIPTION
1	00791672	4	HOUSING, 4IN ROUND LIGHT
2	2467903	1	HOLDER, 7-WAY CONNECTOR PLUG
3	00791695	1	KIT, 4" ROUND LED LIGHT - 15'
3.1	00791720	4	MOUNT, 4" ROUND GROMMET
3.2	00791724	1	HARNESS, RH WISHBONE WIRING
3.3	00791725	1	HARNESS, LH WISHBONE WIRING
3.4	00791727	1	HARNESS, MAIN WIRING
3.5	00791726	1	MODULE, AG ENHANCE FLASHER
3.6	00791719	2	LIGHT, 4" ROUND RED
3.7	00791718	2	LIGHT, 4" ROUND AMBER
4	6B1702	1	BOLT BOX, 15FT FLEXWING LIGHT BUNDLE
4.1	00780878	16	RIVET, 3/16 POP X 15/32" G.R.
4.2	3263N11C	2	SCREW,PHLP PN HD 10-24 X 1 PL
4.3	329023C	4	HEX LOCKNUT #10-24
4.4	3263N6C	2	PAN HEAD SCREW 10-24 X 1/2
4.5	8137-1	8	STRAP, ADJUSTABLE
4.6	00791753	4	CABLE TIE, 3/4" ADHESIVE BACK

SKID SHOE ASSEMBLY

CENTER



WING

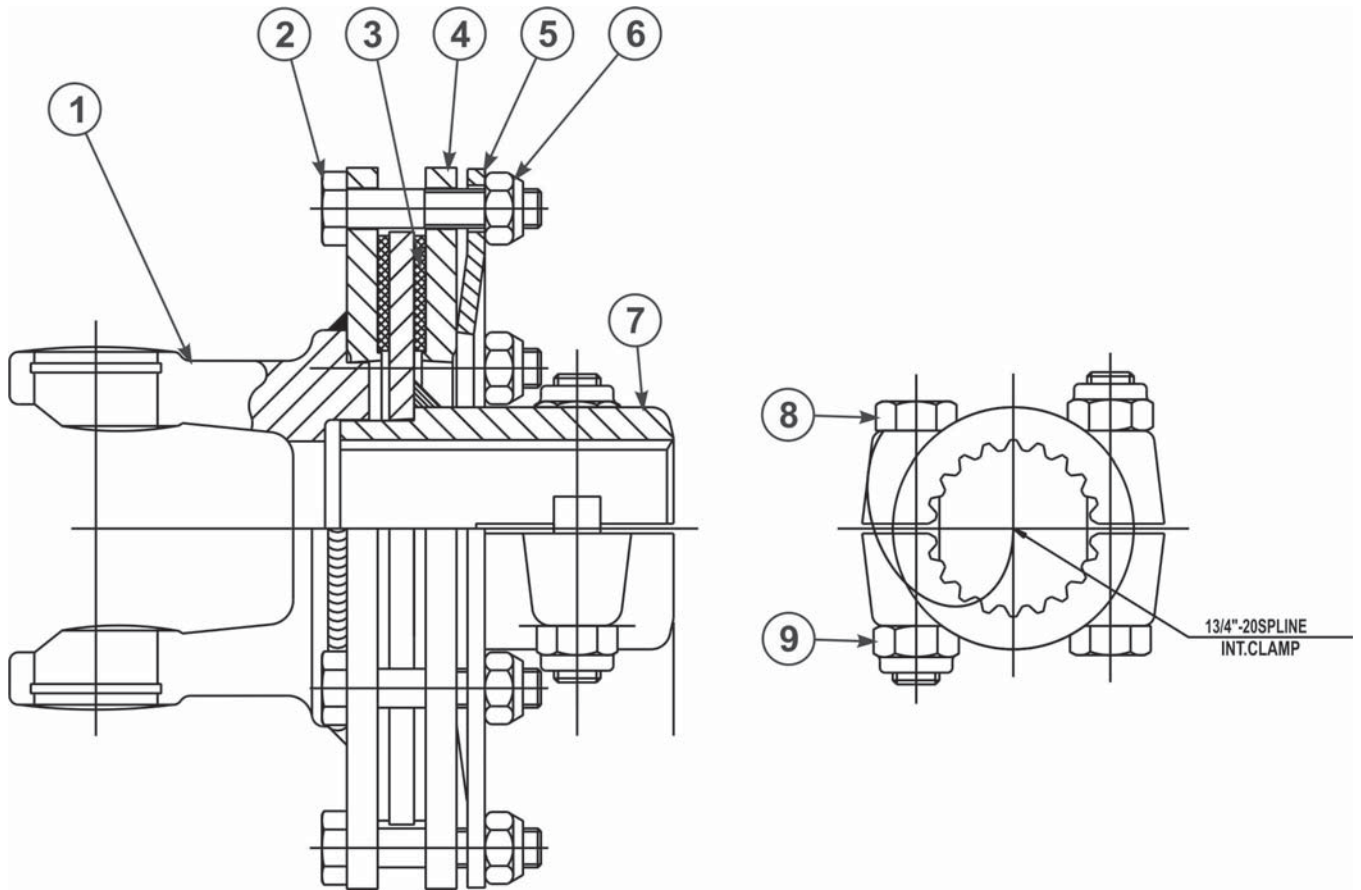


SKID SHOE ASSEMBLY

Continued...

ITEM	PART NO.	QTY.	DESCRIPTION
1	00791367	1	ASY, PARKING JACK - SIDE WIND
2	00015800	3	HEX LOCKNUT, 3/8 TLM NC PL5
3	02886900	3	CARB, 3/8 NC 1-1/4 PL5
4	00791381	1	WING SKID SHOE CASTING
5	02886900	3	CARB, 1/2-13 UNC 1-1/2 PL5
6	00001800	3	LOCKNUT TLM 1/2 NC GR B PL
7	00764020	1	LH SKID SHOE (SHOWN)
8	00763996	1	RH SKID SHOE (NOT SHOWN)

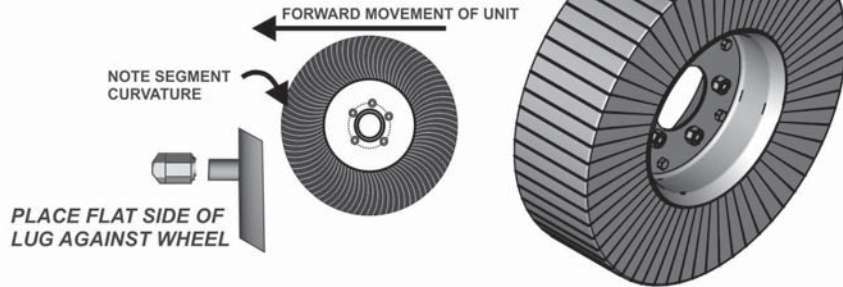
SLIP CLUTCH ASSEMBLY - 00775315



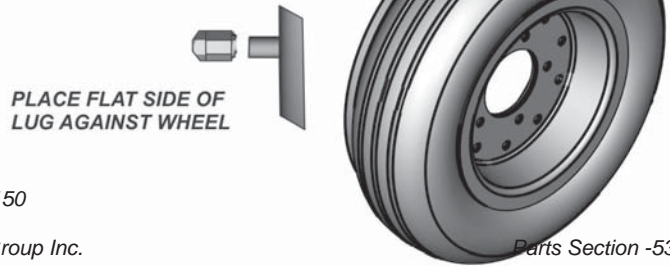
ITEM	PART NO.	QTY.	DESCRIPTION
1	00775321	1	FLANGE YOKE
2	61064C8	6	HEX BOLT-M10X50
3	00754202	2	FRICTION DISC
4	00775323	1	THRUST PLATE
5	00775324	1	BELLEVILLE SPRING
6	00765961	6	HEX LOCKNUT M10
7	00775322	1	HUB-1 3/4-20 I.C.
8	61076C8	2	HEX BOLT M12X65
9	00772648	2	HEX LOCKNUT M12

TIRE OPTIONS

① **Laminated Tire & Wheel**
00025200 - 6:00 x 9 (ALL UNITS)



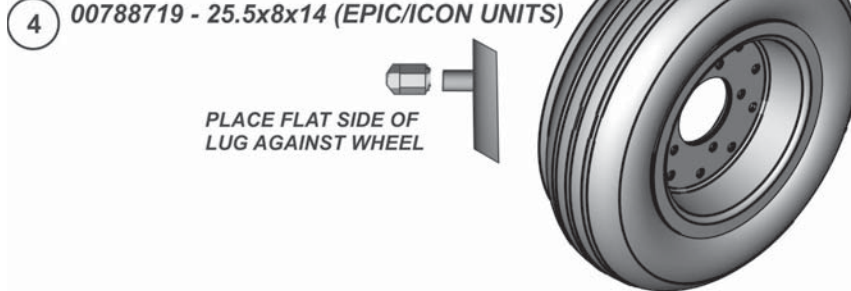
② **Pneumatic Used Airplane Tire**
00791638 - 25.5 X 8-14 20 PLY



APEX - 3100 3150

©2015 Alamo Group Inc.

③ **Foam Filled Used Airplane Tire**
00787512 - Tire & Wheel 21 X 7 - 12 PLY



⑤ **Rhinotrax - Foam Filled**
00791365 - Tire & Wheel - 25 X 7-18

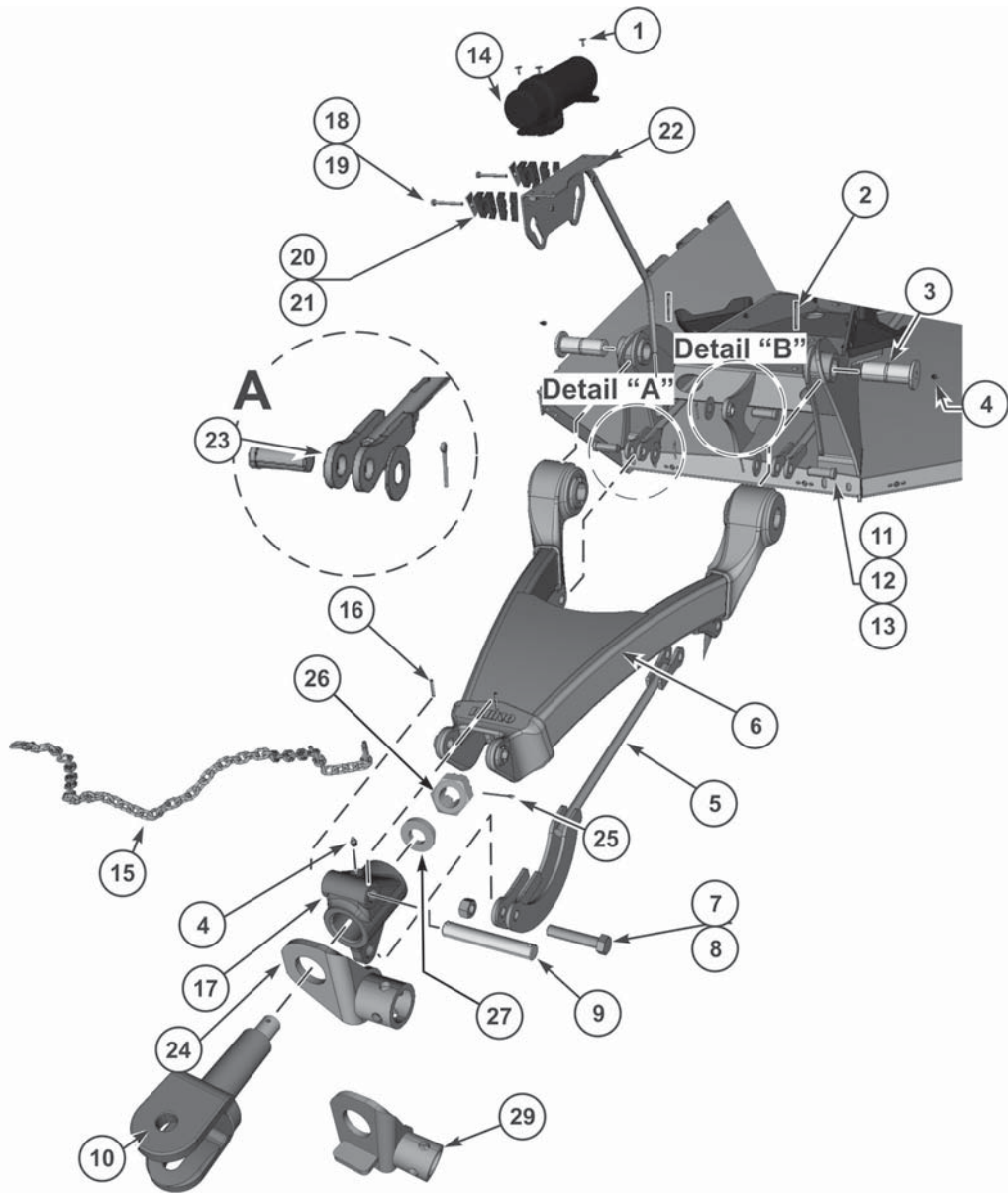


TIRE OPTIONS

Continued...

ITEM	PART NO.	QTY.	DESCRIPTION
1	00025200	1	LAMINATED TIRE & WHEEL 6:00 X 9 (ALL UNITS)
2	00788719	1	LAMINATED TIRE & WHEEL 25.5 X 8-20 PLY (EPIC/ICON)
3	00791638	1	PNEUMATIC 25.5 X 8-20 PLY
4	00787512	1	FOAM FILLED 21 X 7-12 PLY (APEX ONLY)
5	00791365	1	RHINOTRAX - FOAM FILLED, 25X7-18

TONGUE ASSEMBLY



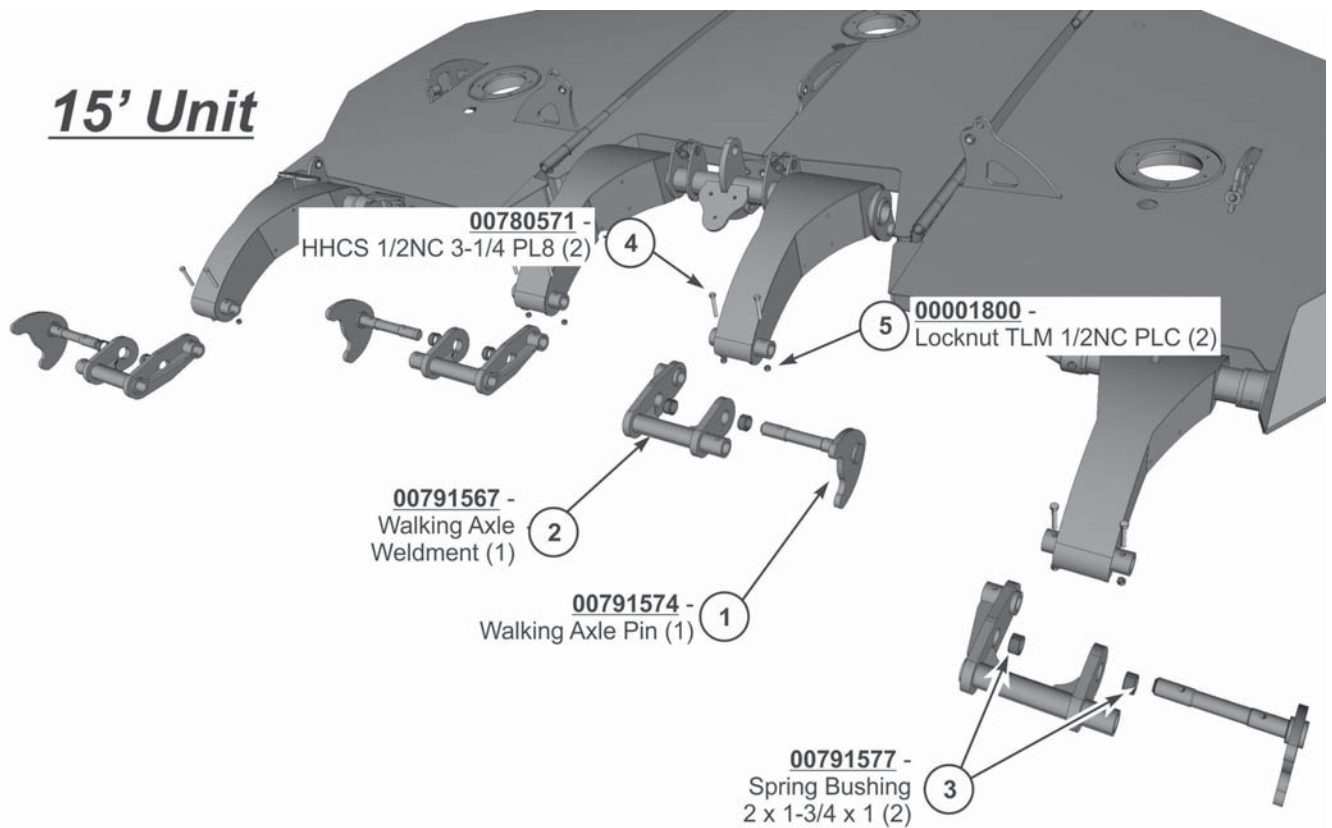
28 00791367 -
 ASY., Parking Jack
 Side Wind (1)
 (Not Shown)

TONGUE ASSEMBLY

ITEM	PART NO.	QTY.	DESCRIPTION
1	00780878	1	RIVET, 3/16 POP X 15/32" G.R.
2	421011	2	PIN, ROLL 3/8 X 3
3	00791217	2	PIN, HITCH PIVOT (
4	4720	2	GREASE FITTING 1/8 NPT
5	00791220	1	WLDMT, CLEVIS CONTROL ROD
6	00791195	1	TONGUE WLDMT
7	03200267	1	HEXB, 1" NC 5 PL8
8	5JRC1680	1	NUT, TOPLOCK 1" NC PL
9	42002	3	CLEVIS PIN 1X2-1/2 PLATED
10	00791214	1	CLEVIS, HITCH ROLL - CASTING
11	00791217	3	HITCH PIVOT PIN 2
12	02822500	3	FLATWASHER 1 PL STD
13	00606000	3	COTTER PIN 3/16 X 2
14	00776031	1	CANISTER, PARTS MANUAL
15	00764515	1	6400LBS. SAFETY TOW CHAIN
16	5427	2	PIN, ROLL 1/4 X 1-1/2
17	00791213	1	HITCH ROLL MOUNT CASTING
18	00016300	2	HEXB, 5/16 X 3 NC GR5
19	00750940	2	NUT, TOPLOCK 5/16 NC PLB
20	2468410	2	SINGLE COVER TOP PLATE
21	00791599	8	12.7MM HOSE CLAMP
22	00791265	1	HOSE SWIVEL WLDMT
23	00791254	1	LEVEL ROD
24	00791256	1	JACK MOUNT WLDMT
25	165024	1	5/16" X 3 PL TD COTTER PIN
26	5D2460	1	SLOTTED HEX NUT1-1/2"-6 PLATED
27	00779221	1	SWIVEL NUT WASHER PLATE
28	00791367	1	ASY, PARKING JACK
29	00791772	1	OPTIONAL JACK MOUNT WLDMT

WALKING AXLE - (OPTIONAL)

15' Unit



10' Unit

WALKING AXLE KITS

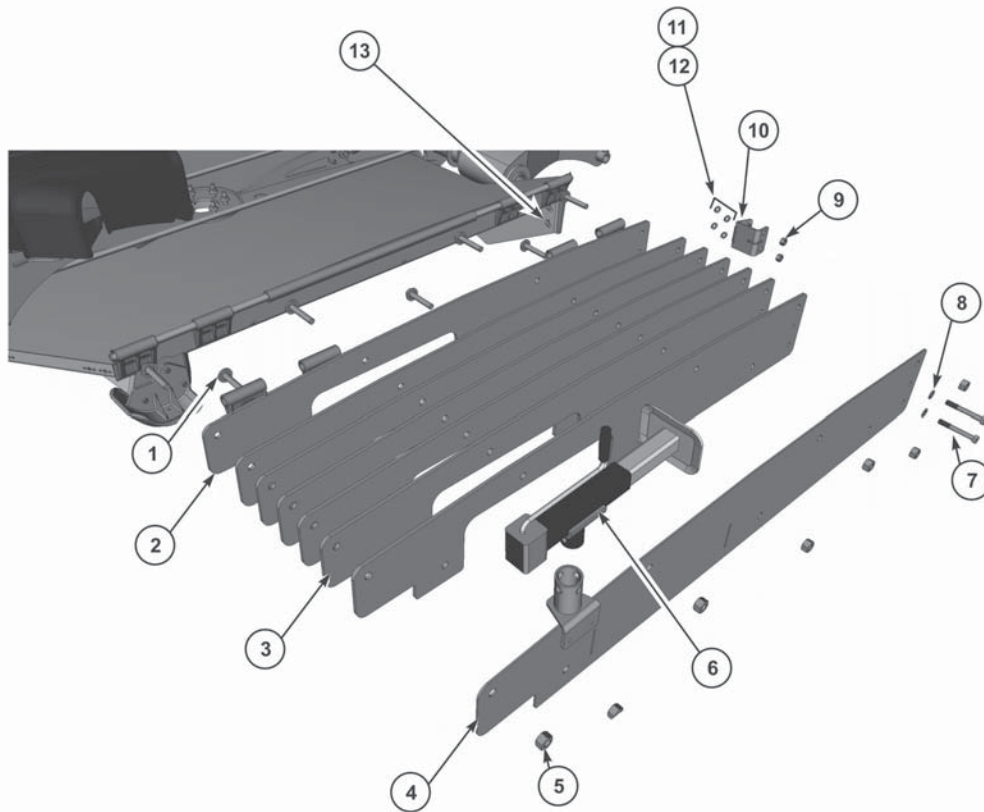
- ⑥ - Center Only, **00791675**
- ⑦ - 10' Center & Wing, **00791674**
- ⑧ - 15' Center & Wings, **00791673**

WALKING AXLE - (OPTIONAL)

Continued...

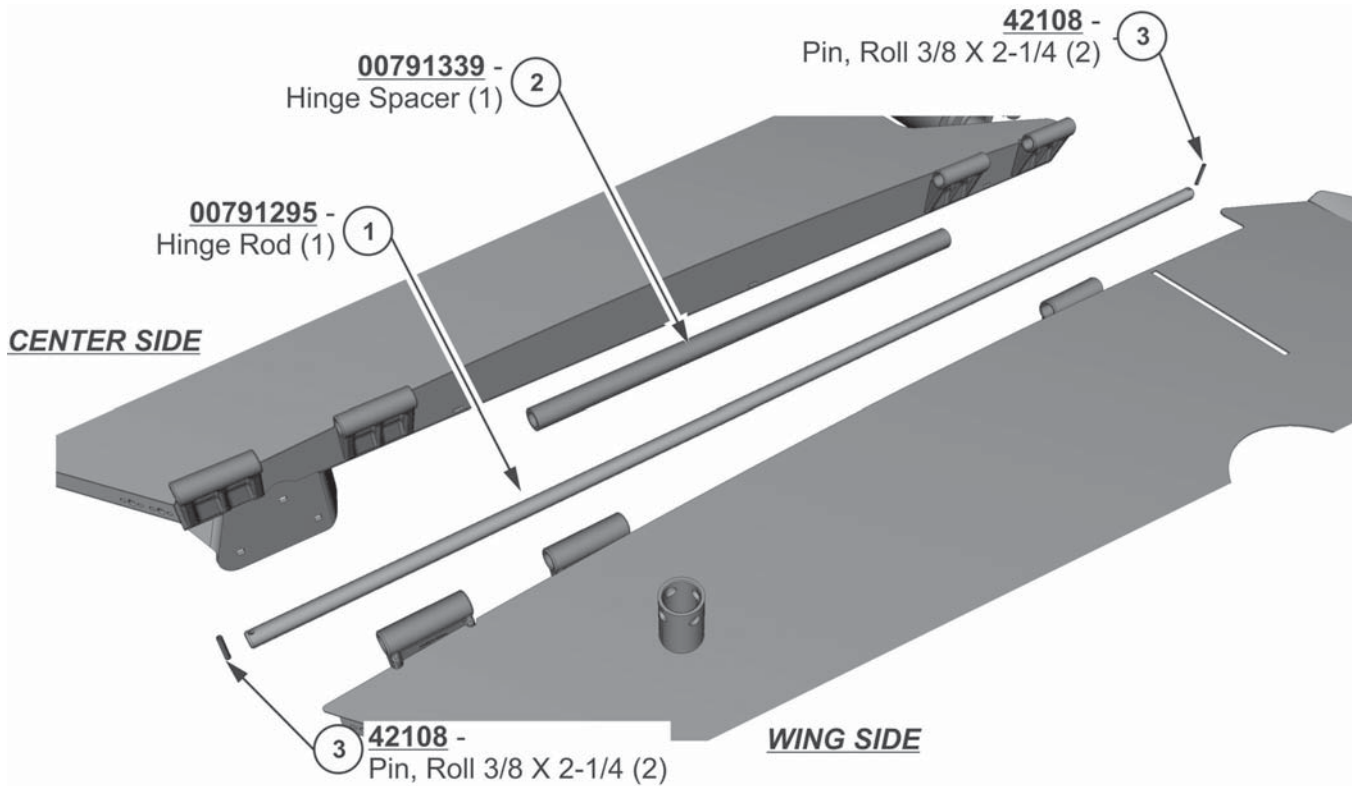
ITEM	PART NO.	QTY.	DESCRIPTION
1	00791574	1	WALKING AXLE PIN
2	00791567	1	WALKING AXLE WELDMENT
3	00791577	2	SPRING BUSHING 2 X 1-3/4 X 1
4	00780571	2	HHCS 1/2NC 3-1/4 PL8
5	00001800	2	LOCKNUT TLM 1/2NC PLC
6	00791675	1	CENTER ONLY
7	00791674	1	10' CENTER & WING
8	00791673	1	15' CENTER & WINGS

WEIGHT PLATE ASSEMBLY



ITEM	PART NO.	QTY.	DESCRIPTION
1	00755076	7	HHCS, 1 NC 5 1/2 PL8
2	00791544	1	COUNTER WEIGHT HINGE
3	00791545	6	COUNTER WEIGHT INNER PLATE
4	00791546	1	OUTER COVER BAFFLE SUB
5	5JRC1680	8	TOPLOCK NUT 1 NC PL
6	00791367	1	SIDE WIND PARKING JACK ASSEMBLY
7	00748598	2	HEXB, 3/4-10 UNC 5-1/2 PL 5
8	00002701	2	FLATWASHER, 3/4 TYPE AW ZP
9	00037200	8	HEX TOPLOCK NUT 3/4 NC GR. C PL
10	00791437	1	COUNTER WEIGHT MOUNT
11	00003901	2	LOCKWASHER, 3/4 PL
12	00002701	2	FLATWASHER, 3/4 TYPE AW ZP
13	00037100	2	HEXB 3/4 NC 2-1/2 PL5

WING HINGE ASSEMBLY



ITEM	PART NO.	QTY.	DESCRIPTION
1	00791295	1	HINGE ROD
2	00791339	1	HINGE SPACER
3	42108	2	PIN, ROLL 3/8 X 2-1/4

SERVIS-RHINO

LIMITED WARRANTY

1. LIMITED WARRANTIES

- 1.01. Servis-Rhino warrants for one year from the purchase date to the original non-commercial, governmental, or municipal purchaser ("Purchaser") and warrants for six months to the original commercial or industrial purchaser ("Purchaser") that the goods purchased are free from defects in material or workmanship.
- 1.02. Manufacturer will replace for the Purchaser any part or parts found, upon examination at one of its factories, to be defective under normal use and service due to defects in material or workmanship.
- 1.03. This limited warranty does not apply to any part of the goods which has been subjected to improper or abnormal use, negligence, alteration, modification, or accident, damaged due to lack of maintenance or use of wrong fuel, oil, or lubricants, or which has served its normal life. This limited warranty does not apply to any part of any internal combustion engine, or expendable items such as blades, shields, guards, or pneumatic tires except as specifically found in your Operator's Manual.
- 1.04. Except as provided herein, no employee, agent, Dealer, or other person is authorized to give any warranties of any nature on behalf of Manufacturer.

2. REMEDIES AND PROCEDURES.

- 2.01. This limited warranty is not effective unless the Purchaser returns the Registration and Warranty Form to Manufacturer within 30 days of purchase.
- 2.02. Purchaser claims must be made in writing to the Authorized Dealer ("Dealer") from whom Purchaser purchased the goods or an approved Authorized Dealer ("Dealer") within 30 days after Purchaser learns of the facts on which the claim is based.
- 2.03. Purchaser is responsible for returning the goods in question to the Dealer.
- 2.04. If after examining the goods and/or parts in question, Manufacturer finds them to be defective under normal use and service due to defects in material or workmanship, Manufacturer will:
 - (a) Repair or replace the defective goods or part(s) or
 - (b) Reimburse Purchaser for the cost of the part(s) and reasonable labor charges (as determined by Manufacturer) if Purchaser paid for the repair and/or replacement prior to the final determination of applicability of the warranty by Manufacturer.The choice of remedy shall belong to Manufacturer.
- 2.05. Purchaser is responsible for any labor charges exceeding a reasonable amount as determined by Manufacturer and for returning the goods to the Dealer, whether or not the claim is approved. Purchaser is responsible for the transportation cost for the goods or part(s) from the Dealer to the designated factory.

3. LIMITATION OF LIABILITY.

- 3.01. MANUFACTURER DISCLAIMS ANY EXPRESS (EXCEPT AS SET FORTH HEREIN) AND IMPLIED WARRANTIES WITH RESPECT TO THE GOODS INCLUDING, BUT NOT LIMITED TO, MERCHANTABILITY AND FITNESS FOR A PARTICULAR PURPOSE.
- 3.02. MANUFACTURER MAKES NO WARRANTY AS TO THE DESIGN, CAPABILITY, CAPACITY, OR SUITABILITY FOR USE OF THE GOODS.
- 3.03. EXCEPT AS PROVIDED HEREIN, MANUFACTURER SHALL HAVE NO LIABILITY OR RESPONSIBILITY TO PURCHASER OR ANY OTHER PERSON OR ENTITY WITH RESPECT TO ANY LIABILITY, LOSS, OR DAMAGE CAUSED OR ALLEGED TO BE CAUSED DIRECTLY OR INDIRECTLY BY THE GOODS INCLUDING, BUT NOT LIMITED TO, ANY INDIRECT, SPECIAL, CONSEQUENTIAL, OR INCIDENTAL DAMAGES RESULTING FROM THE USE OR OPERATION OF THE GOODS OR ANY BREACH OF THIS WARRANTY. NOT WITHSTANDING THE ABOVE LIMITATIONS AND WARRANTIES, MANUFACTURER'S LIABILITY HEREUNDER FOR DAMAGES INCURRED BY PURCHASER OR OTHERS SHALL NOT EXCEED THE PRICE OF THE GOODS.
- 3.04. NO ACTION ARISING OUT OF ANY CLAIMED BREACH OF THIS WARRANTY OR TRANSACTIONS UNDER THIS WARRANTY MAY BE BROUGHT MORE THAN TWO (2) YEARS AFTER THE CAUSE OF ACTION HAS OCCURRED.

4. MISCELLANEOUS.

- 4.01. Proper Venue for any lawsuits arising from or related to this limited warranty shall be only in Guadalupe County, Texas.
- 4.02. Manufacturer may waive compliance with any of the terms of this limited warranty, but no waiver of any terms shall be deemed to be a waiver of any other term.
- 4.03. If any provision of this limited warranty shall violate any applicable law and is held to be unenforceable, then the invalidity of such provision shall not invalidate any other provisions herein.
- 4.04. Applicable law may provide rights and benefits to purchaser in addition to those provided herein.

KEEP FOR YOUR RECORDS

ATTENTION: Purchaser should fill in the blanks below for his reference when buying repair parts and/or for proper machine identification when applying for warranty.

Servis-Rhino Implement Model _____ Serial Number _____

Date Purchased _____ Dealer _____

ATTENTION:
READ YOUR OPERATOR'S MANUAL

RHINO[®]
1020 S. Sangamon Ave.
Gibson City, IL 60936
800-446-5158
Email: parts@servis-rhino.com





TO THE OWNER/OPERATOR/DEALER

To keep your implement running efficiently and safely, read your manual thoroughly and follow these directions and the Safety Messages in this Manual. The Table of Contents clearly identifies each section where you can easily find the information you need.

The OCCUPATIONAL SAFETY AND HEALTH ACT (1928.51 Subpart C) makes these minimum safety requirements of tractor operators:

REQUIRED OF THE OWNER:

1. Provide a Roll-Over-Protective Structure that meets the requirements of this Standard; and
2. Provide Seatbelts that meet the requirements of this paragraph of this Standard and SAE J4C; and
3. Ensure that each employee uses such Seatbelt while the tractor is moving; and
4. Ensure that each employee tightens the Seatbelt sufficiently to confine the employee to the protected area provided by the ROPS.

REQUIRED OF THE OPERATOR

1. Securely fasten seatbelt if the tractor has a ROPS.
2. Where possible, avoid operating the tractor near ditches, embankments, and holes.
3. Reduce speed when turning, crossing slopes, and on rough, slick, or muddy surfaces.
4. Stay off slopes too steep for safe operation.
5. Watch where you are going - especially at row ends, on roads, and around trees.
6. Do not permit others to ride.
7. Operate the tractor smoothly - no jerky turns, starts, or stops.
8. Hitch only to the drawbar and hitch points recommended by the tractor manufacturer.
9. When the tractor is stopped, set brakes securely and use park lock, if available.



Keep children away from danger all day, every day...



Equip tractors with rollover protection (ROPS) and keep all machinery guards in place...



Please work, drive, play and live each day with care and concern for your safety and that of your family and fellow citizens.

