



REBEL SERIES ROTARY TILLERS

MODELS
REB60, REB60R, REB72, REB72R,
REB84, REB84R

Published 12/16

P/N 50075545P

PART'S MANUAL



An Operator's Manual was shipped with the equipment in the Manual Canister. This Operator's Manual is an integral part of the safe operation of this machine and must be maintained with the unit at all times. **READ, UNDERSTAND, and FOLLOW** the Safety and Operation Instructions contained in this manual before operating the equipment. If the Operator's Manual is not with the equipment, contact your dealer or Servis-Rhino (800-446-5158) to obtain a Free copy before operating the equipment.



FC-T-0007

RHINO[®]

1020 S. Sangamon Ave.
Gibson City, IL 60936
800-446-5158

Email: parts@servis-rhino.com

ATENCIÓN!

Si No Lee Ingles, Pida Ayuda a Alguien
Que Si Lo Lea Para Que le Traduzca las
Medidas de Seguridad.

LEA EL INSTRUCTIVO




A MEMBER OF THE
ALAMO GROUP
ALWAYS ON THE CUTTING EDGE[™]

© 2015 Alamo Group Inc.

TO THE OWNER/OPERATOR/DEALER

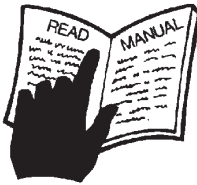



All implements with moving parts are potentially hazardous. There is no substitute for a cautious, safe-minded operator who recognizes the potential hazards and follows reasonable safety practices. The manufacturer has designed this implement to be used with all its safety equipment properly attached to minimize the chance of accidents.

BEFORE YOU START!! Read the safety messages on the implement and shown in your manual.
Observe the rules of safety and common sense!



DANGER

FAILING TO FOLLOW SAFETY MESSAGES AND OPERATING INSTRUCTIONS CAN CAUSE SERIOUS BODILY INJURY OR EVEN DEATH TO OPERATOR AND OTHERS IN THE AREA.

<p>1. </p>	<p>2. NO RIDERS, NO CHILDREN OPERATORS </p>	<p>3. USE SAFETY SHOES, HARD HAT, SAFETY GLASSES, SEAT BELTS, & ROPS </p>	<p>4. BLOCK UP SECURELY BEFORE WORKING UNDER. </p>
---	--	---	---

1. Study and understand Operator's Manuals, Safety Signs, and Instructional Decals for tractor & flail mower to prevent misuse, abuse, & accidents. Practice before operating mower in a confined area or near passersby.

- Learn how to stop engine suddenly in an emergency. Be alert for passersby and especially children.

2. Allow no children on or near implement or tractor. Allow no riders on tractor or implement. Falling off can cause serious injury or death from being runover by tractor or mower or contact with Flail Mower Blades.

3. Operate only with tractor having Roll-Over Protective Structure (ROPS) and with seatbelt fastened securely and snugly to prevent injury and possible death from falling off or tractor overturn. Personal Protective Equipment such as Hard Hat, Safety Glasses, Safety Shoes, and Ear Plugs are recommended.

4. Block up or support raised machine and all lifted components securely before putting hands or feet under or working underneath any lifted component to prevent crushing injury or death from sudden dropping or inadvertent operation of controls. Make certain that area is clear before lowering or folding.

5. Before transporting, put Lift Lever in detent or full-lift position. Install Transport Safety Devices securely on folding implements. Slow down when turning and on hillsides.





- Install **Restrictor in folding circuit to slow down lowering and unfolding if action is faster than is desirable.

6. Make certain that SMV sign, Warning Lights, and Reflectors are clearly visible. Follow local traffic codes.

7. Never operate with Flail Mower or Folding Section raised if passersby, bystanders or traffic are in the area to reduce possibility of injury or death from objects thrown by Blades under Shields or implement structure.

8. Before dismounting, secure flail mower in transport position or lower to ground.

- Put tractor in park or set brake, disengage PTO, stop engine, remove key, and wait until noise of rotation has ceased to prevent entanglement in rotating parts which may cause injury or death.
- Never mount or dismount a moving vehicle. Crushing from runover may cause injury or death.

<p>5. TRANSPORT SAFELY, LOCK UP. </p>	<p>6. USE SMV, LIGHTS, & REFLECTORS. </p>	<p>7. DO NOT OPERATE WITH MOWER OR WING RAISED. </p>	<p>8. DO NOT MOUNT OR DISMOUNT WHILE MOVING. </p>
--	--	--	--

002369

WARRANTY INFORMATION:

Read and understand the complete Warranty Statement found in this Manual. Fill out the Warranty Registration Form in full and return it within 30 Days. Make certain the Serial Number of the Machine is recorded on the Warranty Card and on the Warranty Form that you retain. The use of "will-fit" parts will void your warranty and can cause catastrophic failure with possible injury or death.

PARTS SECTION

PARTS ORDERING GUIDE

The following instructions are offered to help eliminate needless delay and error in processing purchase orders for the equipment in this section.

1. The Parts Section is prepared in logical sequence and grouping of parts that belong to the basic machine featured in this manual. Part Numbers and Descriptions are given to help locate the parts and quantities required.
2. The Purchase Order must include the name and address of the person or organization ordering the parts, who should be charged, and if possible, the serial number of the machine for which the parts are ordered.
3. The Purchase Order must clearly list the quantity of each part, the complete and correct part number (be sure to include all periods), and the basic name of the part.
4. The Manufacturer reserves the right to substitute parts where applicable.
5. Some parts are unlisted items which are special production items not normally stocked and are subject to special handling. Request a quotation for such parts before sending a Purchase Order.
6. The Manufacturer reserves the right to change prices without prior notice.

NOTE: Please refer to The Safety Section in the front of this Manual for the proper Part Number when ordering Replacement Safety Decals.



For maximum safety and to guarantee optimum product reliability, always use genuine Servis-Rhino Parts. The use of inferior replacement parts may cause premature or catastrophic failure which could result in serious injury or death. Direct any questions regarding parts to:

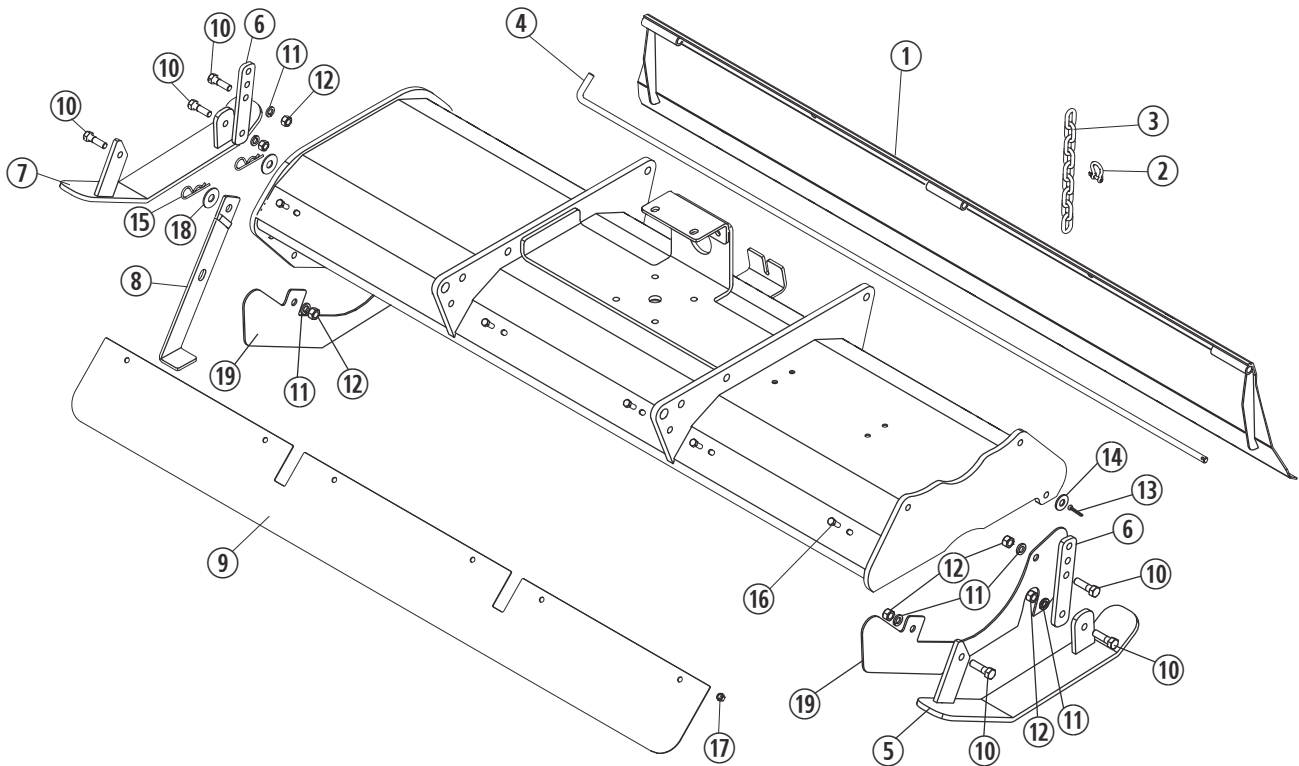


RHINO®
1020 S. Sangamon Ave.
Gibson City, IL 60936
800-446-5158
Email: parts@servis-rhino.com

TABLE OF CONTENTS
REB SERIES ROTARY TILLERS
MODELS
REB60, REB60R, REB72, REB72R, REB84, REB84R

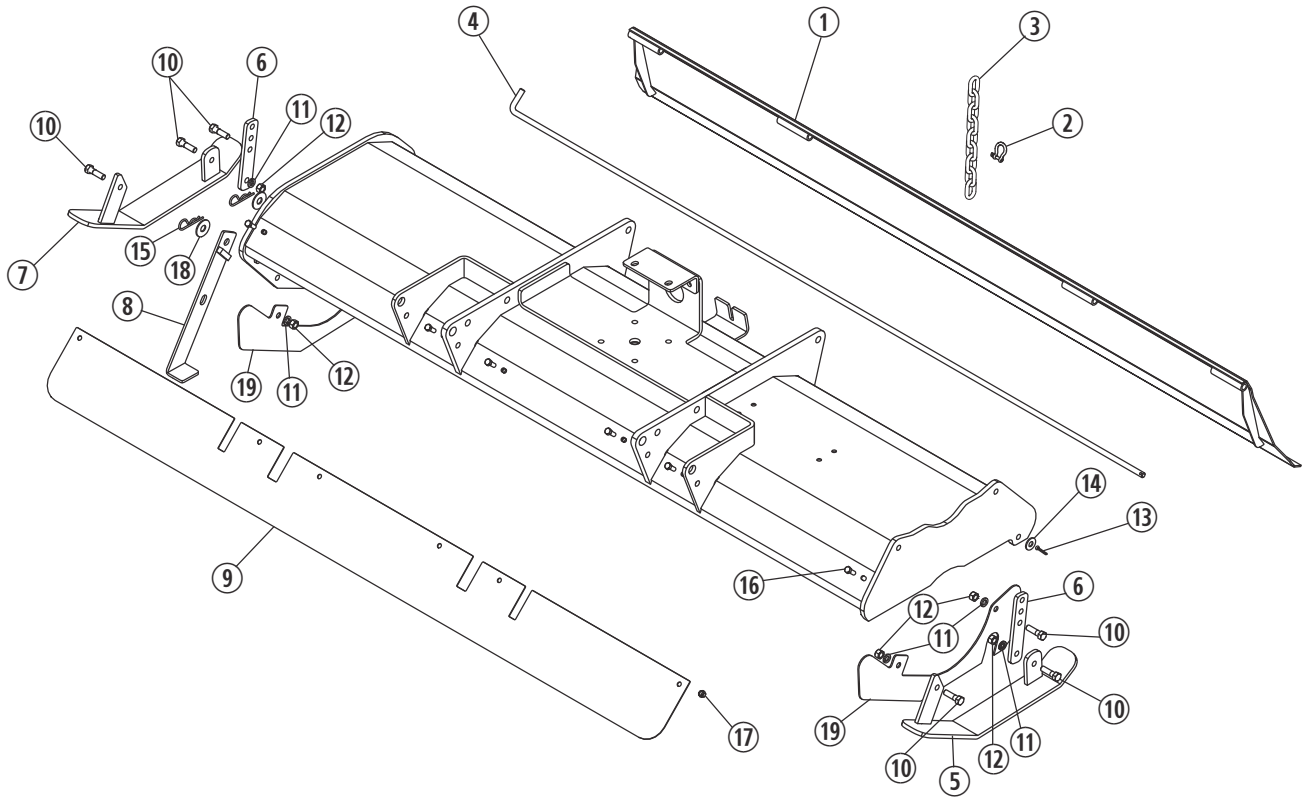
Skids, Tailgates And Front Covers	42-1-1, 42-1-2
Top Deck And Related Parts	42-1-3, 42-1-4
Drives, Driveline And Related Parts	42-1-5
Side Gearbox Assembly	42-1-6, 42-1-7
Center Gearbox Assembly	42-1-8
Outboard Hub Assembly	42-1-9
Driveshaft Assembly	42-1-10
Five Foot Tine Bar Assembly.....	42-1-11
Six Foot Tine Bar Assembly	42-1-12
Seven Foot Tine Bar Assembly	42-1-13
Decals	42-1-14, 42-1-15

**SKIDS, TAILGATES and FRONT COVERS
(REB60, REB60R, REB72, REB72R)**



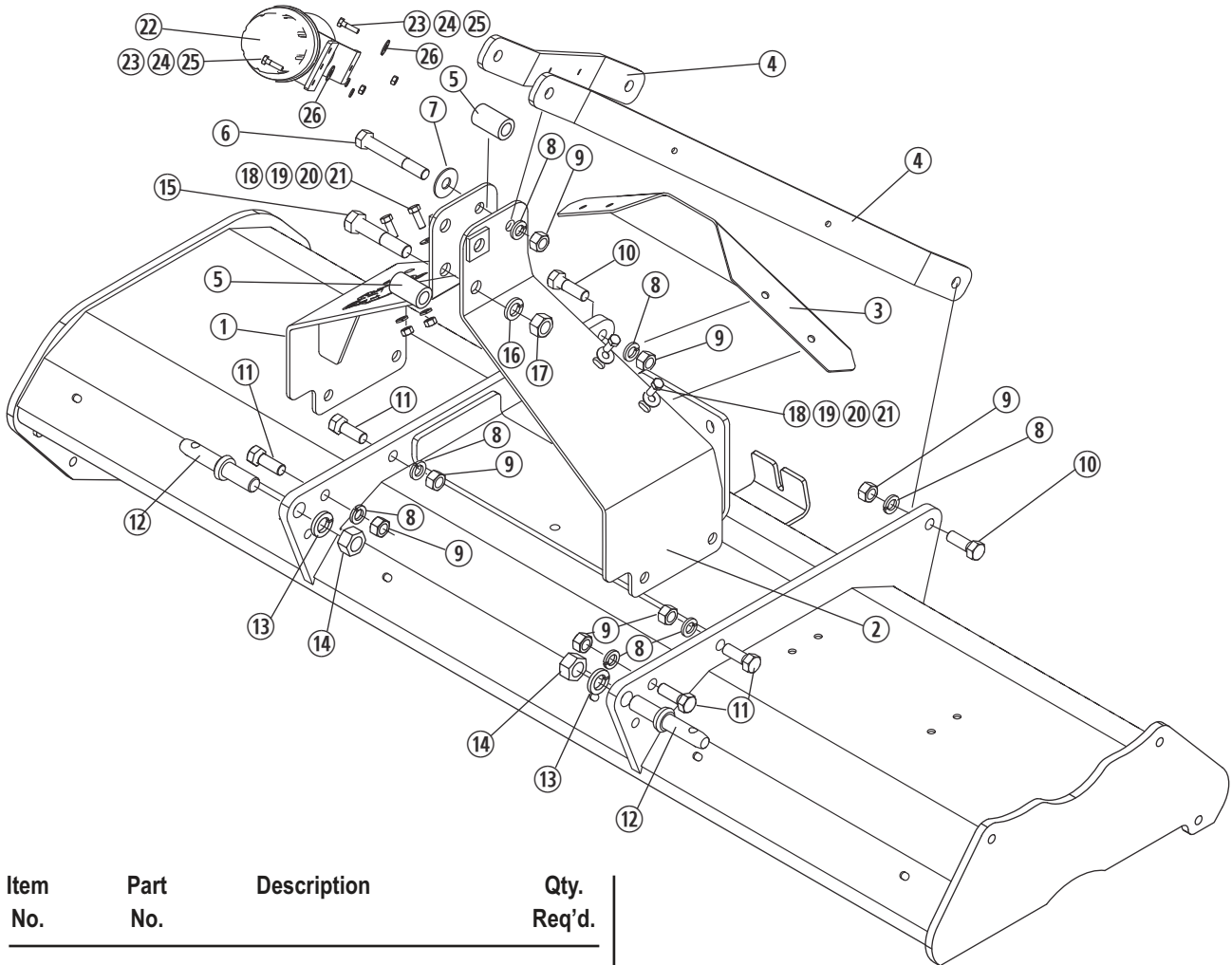
Item No.	Part No.	Description	Qty. Req'd.
1	50074817-35	Tailgate (Orange) for 5' Models	1
	50074817-16	Tailgate (Green) for 5' Models	1
	50074817-23	Tailgate (Orange) for 5' Models	1
	50074817-28	Tailgate (Blue) for 5' Models	1
	50074818-35	Tailgate (Orange) for 6' Models	1
	50074818-16	Tailgate (Green) for 6' Models	1
	50074818-23	Tailgate (Orange) for 6' Models	1
	50074818-28	Tailgate (Blue) for 6' Models	1
2	50074125	Shackle, Anchor	1
3	50029803	Chain, 9 Link	1
4	50075127	Tailgate Rod, 5' Models	1
	50075097	Tailgate Rod, 6' Models	1
5	50074827	Skid Weldment, LH	1
6	50074848	Skid Adjuster	2
7	50074825	Skid Weldment, RH	1
8	50074828	Kickstand	1
9	50075506	Shield for 5' Reverse Rotation	1
	50075093	Shield for 6' Reverse Rotation	1
10	19487BH	Capscrew 1/2" x 1-3/4" Gr.5	6
11	45111BH	Lockwasher 1/2"	6
12	45070BH	Hex Nut 1/2"	6
13	45307BH	Cotter Pin 3/16" x 1-1/2"	1
14	45059BH	Flatwasher 1/2"	1
15	1273BH	Presto Pin	2
16	45086BH	Capscrew 3/8" x 1"	6
17	45105BH	Locknut 3/8"	6
18	45066BH	Flatwasher, 5/8"	2
19	50075556	Side Plate	2

**SKIDS, TAILGATES and FRONT COVERS
(REB84, REB84R)**



Item No.	Part No.	Description	Qty. Req'd.
1	50074819-35	Tailgate (Orange), for 7' Models	1
	50074819-16	Tailgate (Green), for 7' Models	1
	50074819-23	Tailgate (Orange), for 7' Models	1
	50074819-28	Tailgate (Blue), for 7' Models	1
2	50074125	Shackle, Anchor	1
3	50029803	Chain, 9 Link	1
4	50075297	Tailgate Rod, 7' Models	1
5	50074827	Skid Weldment, LH	1
6	50074848	Skid Adjuster	2
7	50074825	Skid Weldment, RH	1
8	50074828	Kickstand	1
9	50075507	Shield for 7' Reverse Rotation	1
10	19487BH	Capscrew 1/2" x 1-3/4" Gr.5	6
11	45111BH	Lockwasher 1/2"	6
12	45070BH	Hex Nut 1/2"	6
13	45307BH	Cotter Pin 3/16" x 1-1/2"	1
14	45059BH	Flatwasher 1/2"	1
15	1273BH	Presto Pin	2
16	45086BH	Capscrew 3/8" x 1"	6
17	45105BH	Locknut 3/8"	6
18	45066BH	Flatwasher, 5/8"	2
19	50075556	Side Plate	2

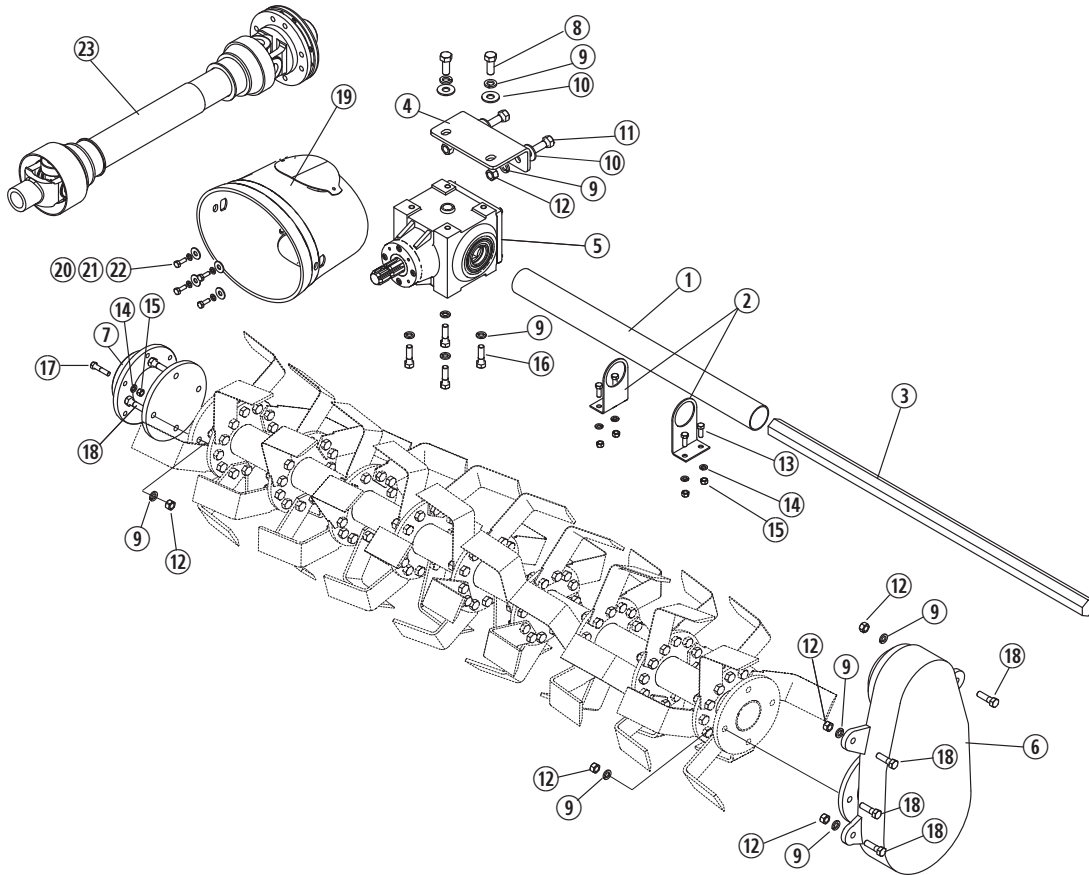
**TOP DECK AND RELATED PARTS
(REB60, REB60R, REB72, REB72R)**



Item No.	Part No.	Description	Qty. Req'd.
1	50075546	"A" Frame RH	1
2	50075547	"A" Frame LH	1
3	50075551	Cover,	1
4	50075103	Mast Bar	2
5	50033665	Cat I Bushing	2
6	20508	Capscrew 5/8" x 4-1/2" Gr.5	1
7	15925	Flatwasher 5/8"	1
8	15805	Lockwasher 5/8"	7
9	45075BH	Hex Nut 5/8"	7
10	20206	Capscrew 5/8" x 2" Gr.8	2
11	15165BH	Capscrew 5/8" x 1-3/4" Gr.5	4
12	63765	Lift Pin Cat I	2

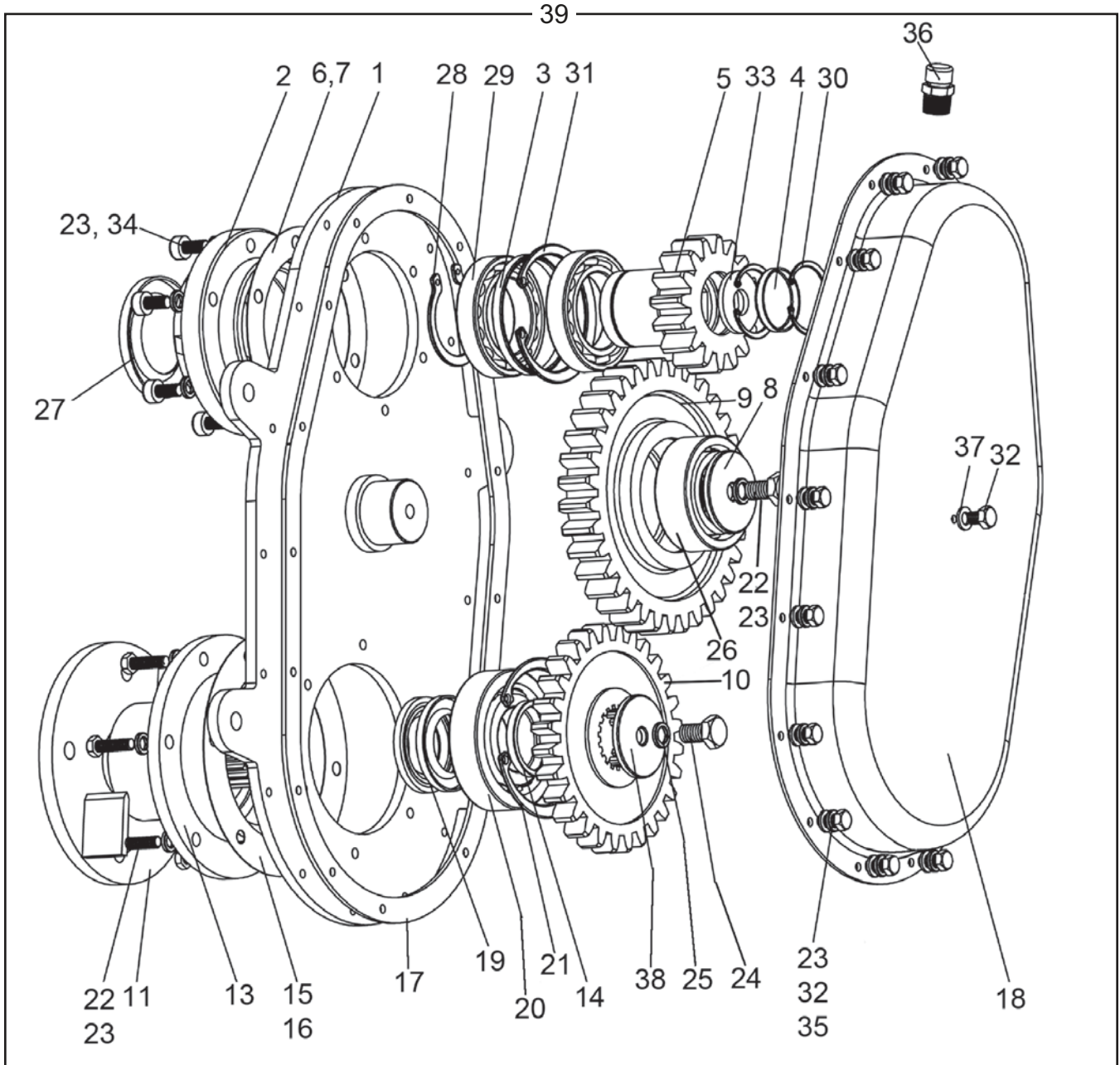
Item No.	Part No.	Description	Qty. Req'd.
13	15824	Lockwasher 7/8"	2
14	44061BH	Hex Nut 7/8"UNF	2
15	19043	Capscrew 3/4" x 3-3/4" Gr.5	1
16	45305BH	Lockwasher 3/4"	1
17	45300BH	Hex Nut 3/4"	1
18	45086BH	Capscrew 3/8" x 1-3/4"	4
19	45063	Flatwasher 3/8"	4
20	45113	Lockwasher 3/8"	4
21	45073	Hex Nut 3/8"	4
22	50035289	Manual Tube	1
23	45160	Capscrew 1/4" x 1"	2
24	45112BH	Lockwasher 1/4"	2
25	45071BH	Hex Nut 1/4"	2
26	15907BH	Flatwasher, 5/16"	2

DRIVES, DRIVELINE AND RELATED PARTS (ALL MODELS)



Item No.	Part No.	Description	Qty. Req'd.	Item No.	Part No.	Description	Qty. Req'd.
1	50075156	Tubing, Cover for 5'	1	12	45070BH	Hex Nut 1/2"	14
	50075151	Tubing, Cover for 6'	1	13	45086BH	Capscrew 3/8" x 1" Gr.5	4
	50075157	Tubing, Cover for 7'	1	14	45113	Lockwasher 3/8"	10
2	50075148	Bracket, Tubing	2	15	45073	Hex Nut 3/8"	10
3	50071676	Shaft, Hex for 5'	1	16	20961	Capscrew 1/2" x 1-3/4" Gr.5	4
	50071701	Shaft, Hex for 6'	1	17	45087BH	Capscrew 3/8" x 1-3/4"	6
	50071706	Shaft, Hex for 7'	1	18	19487BH	Capscrew 1/2" x 1-3/4"	12
4	50075098	Gearbox Plate	1	19	50075248	Shield Assy.	1
5	50075249	Gearbox Assy., Center	1	20	1160806	Capscrew 1/4" x 3/4" Gr.5	4
6	50075260	Gearbox Assy, Side	1	21	45112BH	Lockwasher 1/4"	4
7	50071675	Hub Assy., Outboard	1	22	15907BH	Flatwasher, 5/16"	4
8	44094BH	Capscrew 1/2" x 1-1/4" Gr.5	2	23	50071668	Driveshaft Assembly	1
9	45111BH	Lockwasher 1/2"	20				
10	45059BH	Flatwasher 1/2"	4				
11	44076BH	Capscrew 1/2" x 1-1/2" Gr.5	2				

SIDE GEARBOX ASSEMBLY

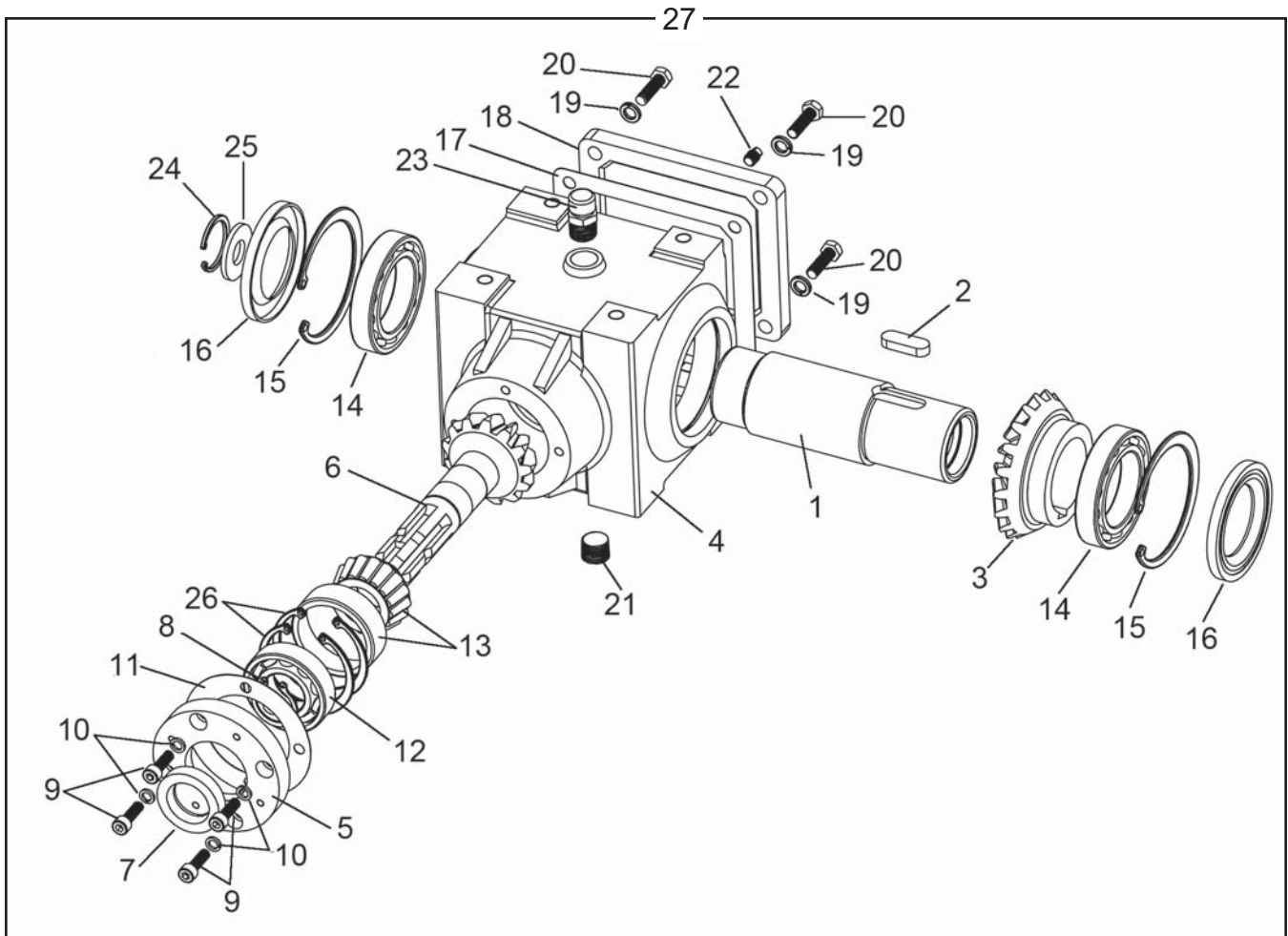


SIDE GEARBOX ASSEMBLY

Item No.	Part No.	Description	Qty. Req'd.
1	50075267	Plate, Side Housing	1
2	50072035	Saddle, Input Bearing	1
3	50072036	Spacer	1
4	50072037	Sealed Cap	1
5	50072038	Shaft, Input Gear	1
6	50072039	Gasket .5mm, Input	*
7	50072066	Gasket .3mm, Input	*
8	50071994	Ring	2
9	50072068	Pinion Gear	1
10	50072069	Gear, Output	1
11	50071995	Flange w/output Shaft	1
13	50072071	Bearing Saddle, Output	1
14	50072072	Spacer	1
15	50072073	Gasket .5mm, Output	*
16	50072074	Gasket .3mm, Output	*
17	50075517	Seal	1
18	50075268	Side Cover	1
19	50072077	Seal, Output	2
20	50072078	Bearing	1
21	50072079	Retaining Ring	1
22	50072028	Screw	7
23	50072027	Washer	29
24	50071998	Screw	2
25	50071999	Hub Washer	2
26	50072080	Ball Bearing	1
27	50072002	Seal	1
28	50072081	Retaining Ring	1
29	50072022	Bearing	2
30	50072082	Retaining Ring	2
31	50072023	Retaining Ring	1
32	50072083	Screw	17
33	50072087	Flatwasher	1
34	50072085	Screw , Inner Hex	6
35	50075518	Flatwasher	16
36	50072031	Pressure Relief Plug	1
37	50075519	Seal Ring 10MM.	1
38	50075520	Flatwasher	1
39	50075260	Side Gearbox Assy.	1

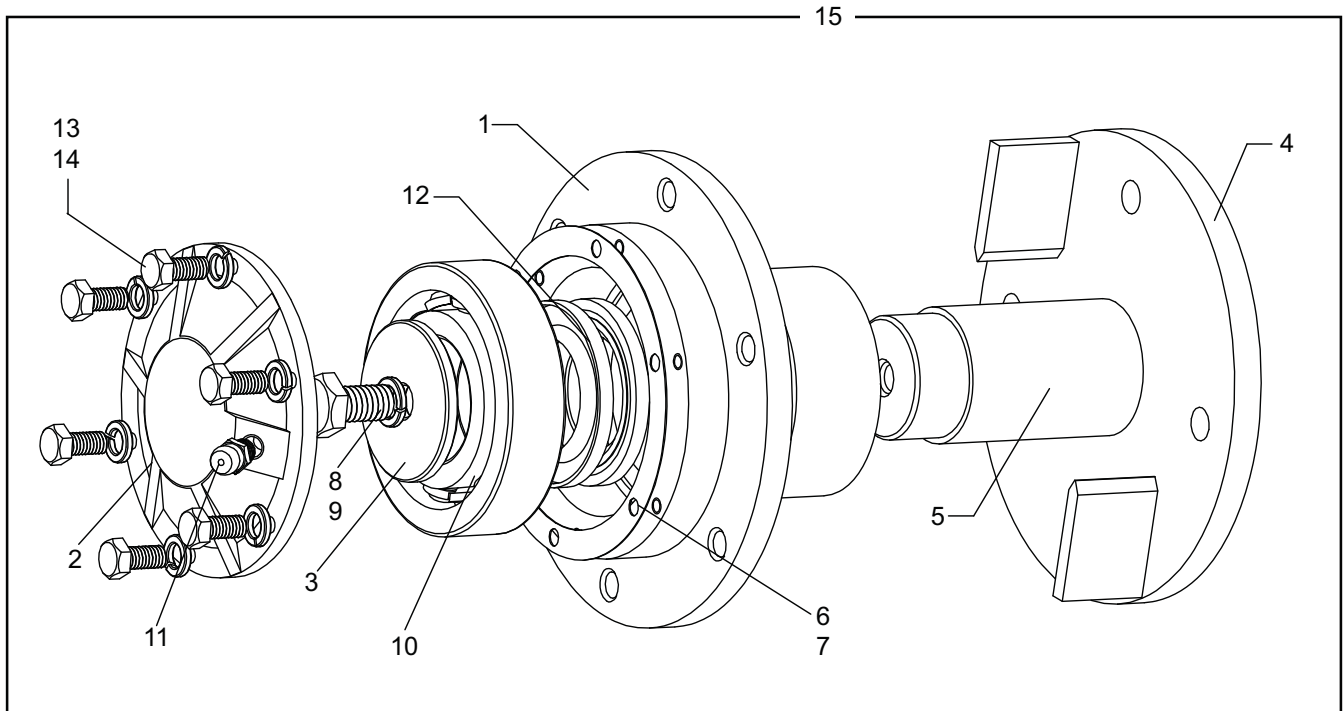
*As Required

CENTER GEARBOX ASSEMBLY



Item No.	Part No.	Description	Qty. Req'd.	Item No.	Part No.	Description	Qty. Req'd.
1	50072008	Shaft, Output	1	14	50072022	Bearing	2
2	50072009	Key	1	15	50072023	Retaining Ring	2
3	50072010	Gear, Output	1	16	50072024	Seal	2
4	50075263	Housing, Gearbox	1	17	50072025	Gasket, Rectangle	1
5	50072012	Cap, Input	1	18	50072026	Cap	1
6	50075262	Gear Shaft, Input	1	19	50072027	Washer	4
7	50072014	Seal	1	20	50072028	Screw	4
8	50075522	Retaining Ring	1	21	50072029	Pipe Plug - Inner	1
9	50072016	Screw	4	22	50072030	Pipe Plug, Sq. Head	1
10	50072017	Washer	4	23	50072031	Relief, Pressure	1
11	50072018	Gasket .3MM Thick	1	24	50072032	Retaining Ring	1
	50072019	Gasket .5MM Thick	1	25	50072033	Washer	1
12	50075261	Bearing	1	26	50075264	Snap Ring	2
13	50072021	Bearing	1	27	50075249	Gearbox Assembly	1

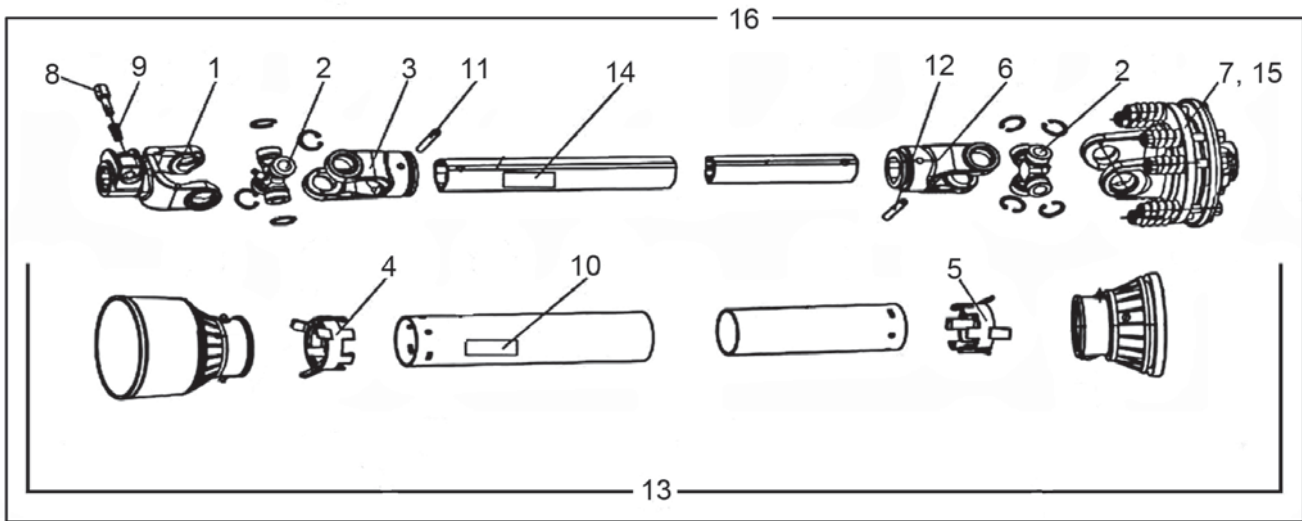
OUTBOARD HUB ASSEMBLY



Ref. No.	Part No.	Description	Qty. Req'd.
1	50071992	Bearing Saddle	1
2	50071993	Hub Cap	1
3	50071994	Ring	1
4	50071995	Flange w/ Output Shaft	1
5	50071996	Hub Shaft	1
6	50071997	Hub Gasket	*
7	50071997	Hub Gasket	*
8	50071998	Screw	1
9	50071999	Hub Washer	1
10	50072000	Ball Bearing	1
11	50072001	Hub Nozzle	1
12	50072077	Seal	2
13	50072003	Screw	6
14	50072004	Hub Washer	6
15	50071675	Outboard Hub Assy.	1

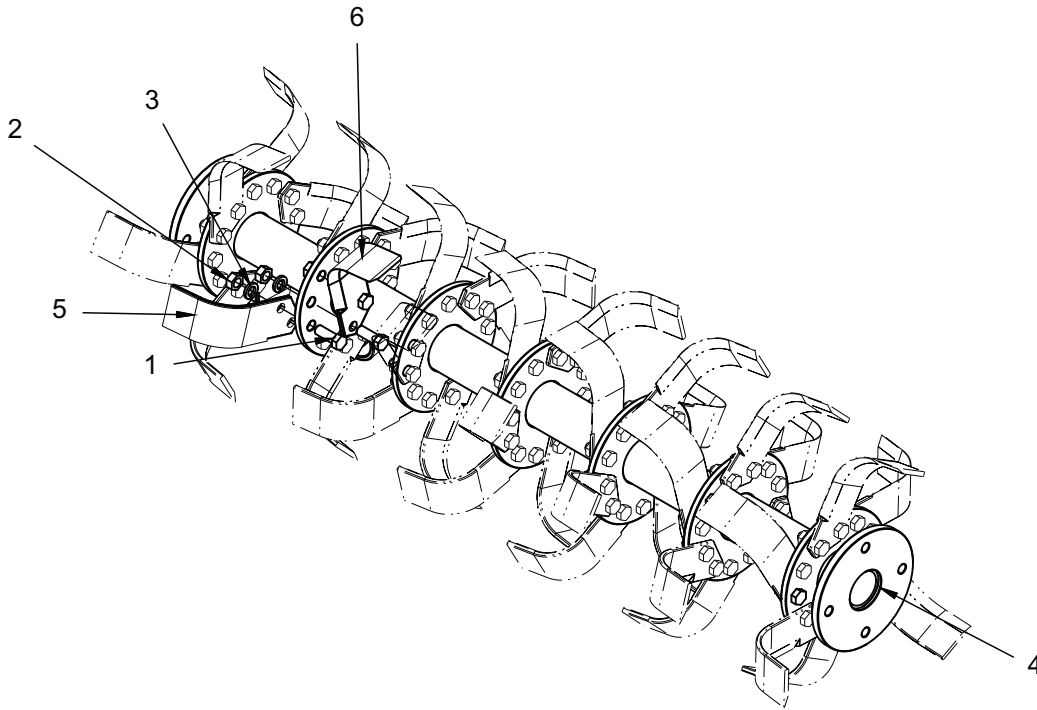
* As Required

DRIVESHAFT ASSEMBLY



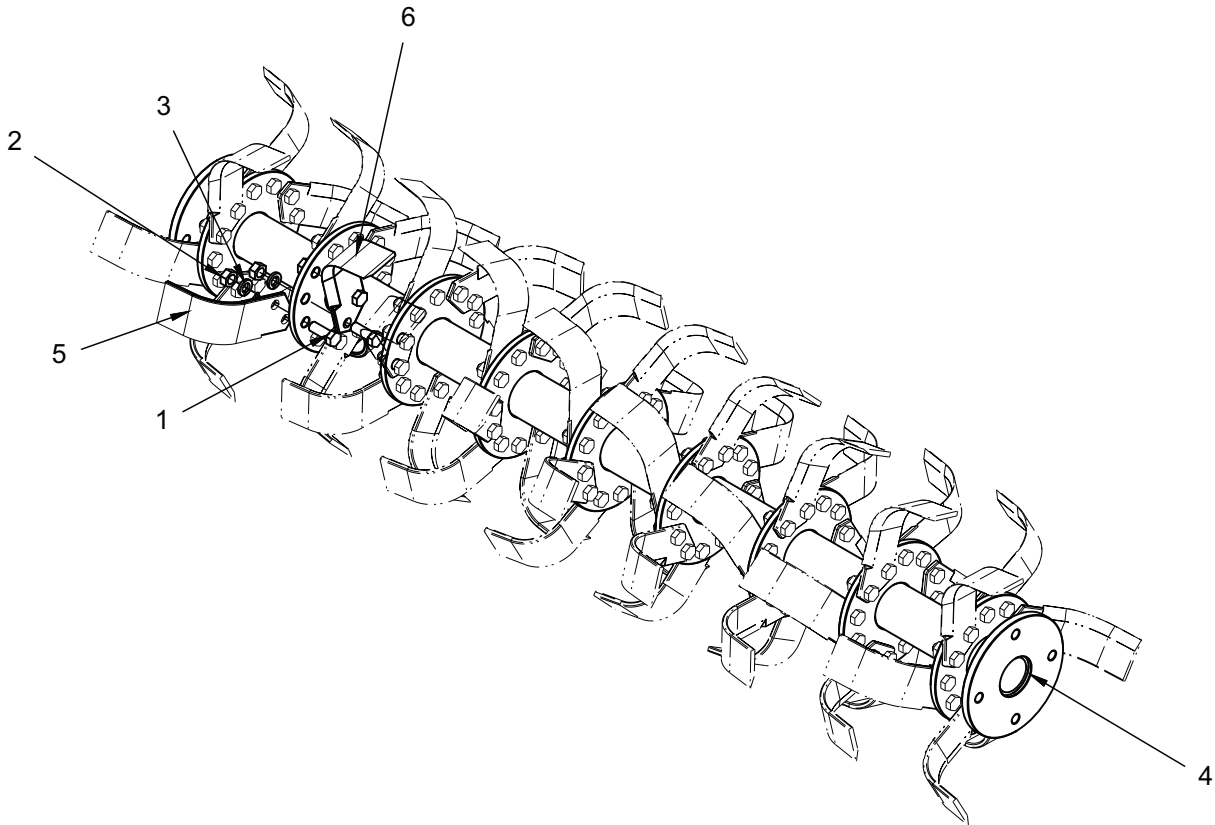
Ref. No.	Part No.	Description	Qty. Req'd.
1	50072088	Push Pin End Yoke	1
2	50072089	Cross Bearing	2
3	50072090	Outer Triangle Yoke	1
4	50072091	Nylon Bearing	1
5	50072092	Inner Nylon Bearing	1
6	50072093	Inner Triangular Yoke	1
7	50072094	Friction Clutch Assy.	1
8	50072095	Push Pin	1
9	50072096	Push Pin Spring	1
10	50072097	Decal, Outer	1
11	50072098	Tension Pin M8 x 60	1
12	50072099	Tension Pin M8 x 55	1
13	50072103	Complete Shield Pk.	1
14	50072101	Decal, Inner	1
15	50072102	Friction Disk (2Pk.)	1
16	50071668	Driveshaft Assembly	1

FIVE FOOT TINE BAR ASSEMBLY



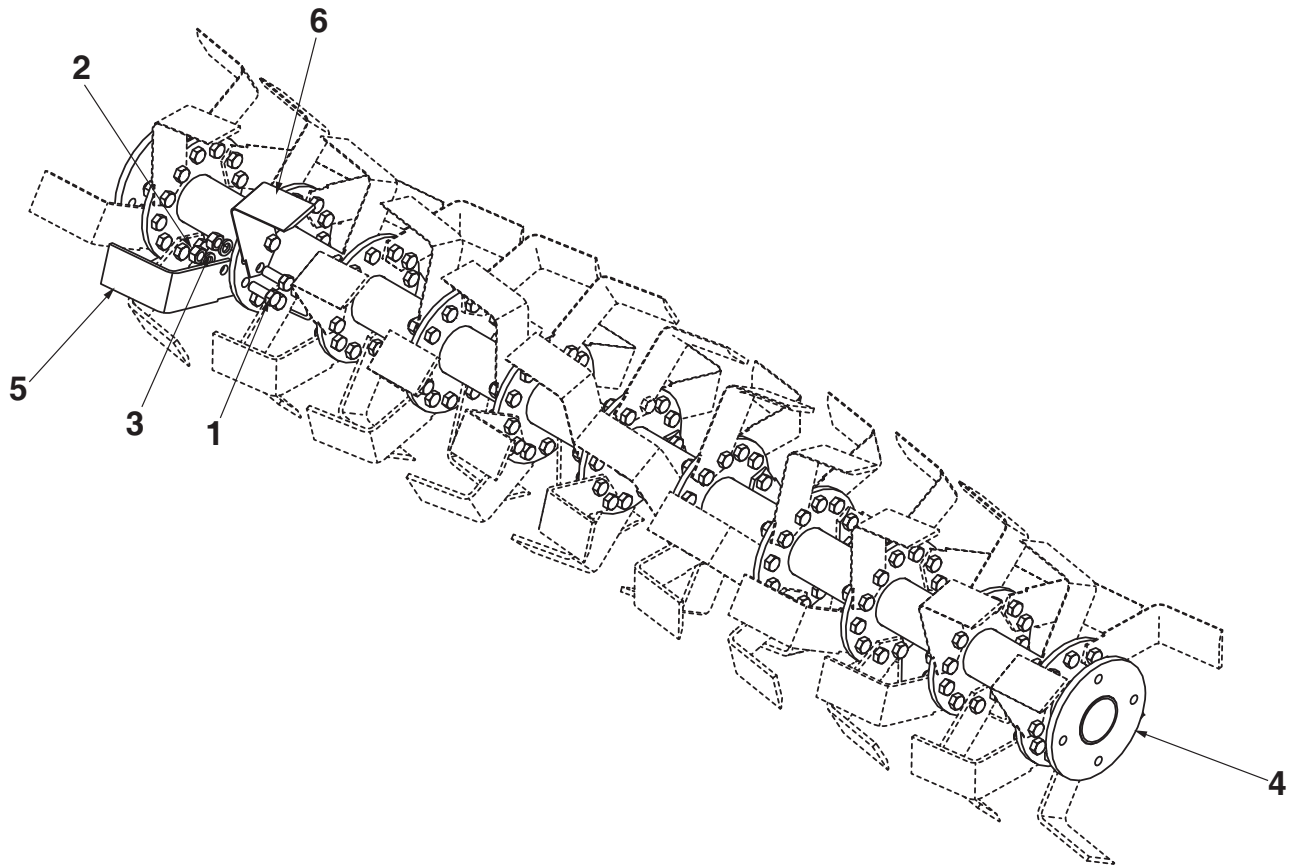
Ref. No.	Part No.	Description	Qty. Req'd.
	50072005	5' Tine Bar Assy.	1
1	50071671	Bolt 9/16" x 1-1/2" NF Gr. 5	84
2	08311800	Hex Nut 9/16" NF	84
3	50020933	Lockwasher 9/16"	84
4	50071677	5' Bar	1
5	50071695	Tine RH	21
6	50071696	Tine LH	21

SIX FOOT TINE BAR ASSEMBLY



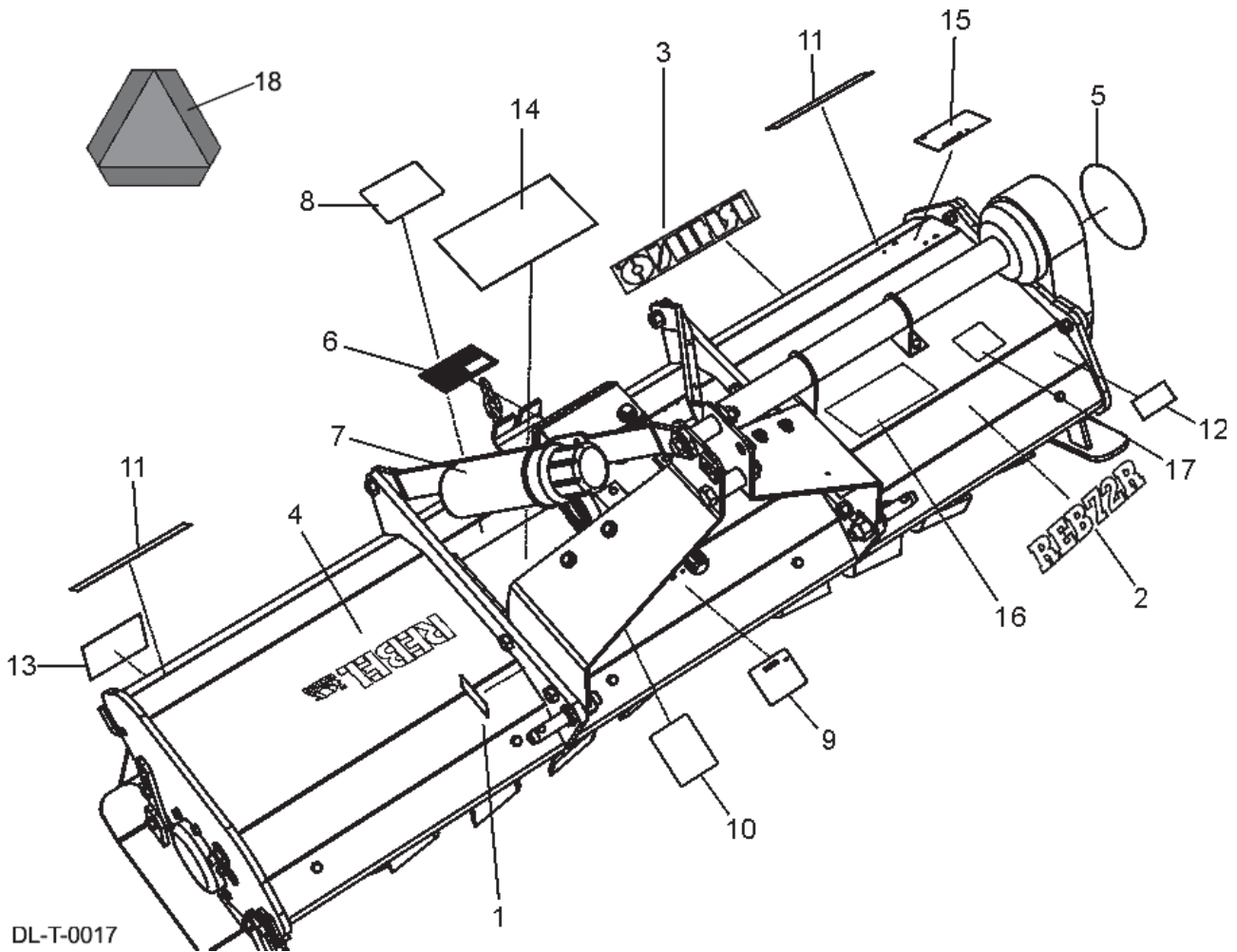
Ref. No.	Part No.	Description	Qty. Req'd.
	50072006	6' Tine Bar Assy.	1
1	50071671	Bolt 9/16" x 1-1/2" NF Gr. 5	108
2	08311800	Hex Nut 9/16" NF	108
3	50020933	Lockwasher 9/16"	108
4	50071700	6' Bar	1
5	50071695	Tine RH	27
6	50071696	Tine LH	27

SEVEN FOOT TINE BAR ASSEMBLY



Ref. No.	Part No.	Description	Qty. Req'd.
	50072007	7' Tine Bar Assy.	1
1	50071671	Bolt 9/16" x 1-1/2" NF Gr. 5	132
2	08311800	Hex Nut 9/16" NF	132
3	50020933	Lockwasher 9/16"	132
4	50071707	7' Bar	1
5	50071695	Tine RH	33
6	50071696	Tine LH	33

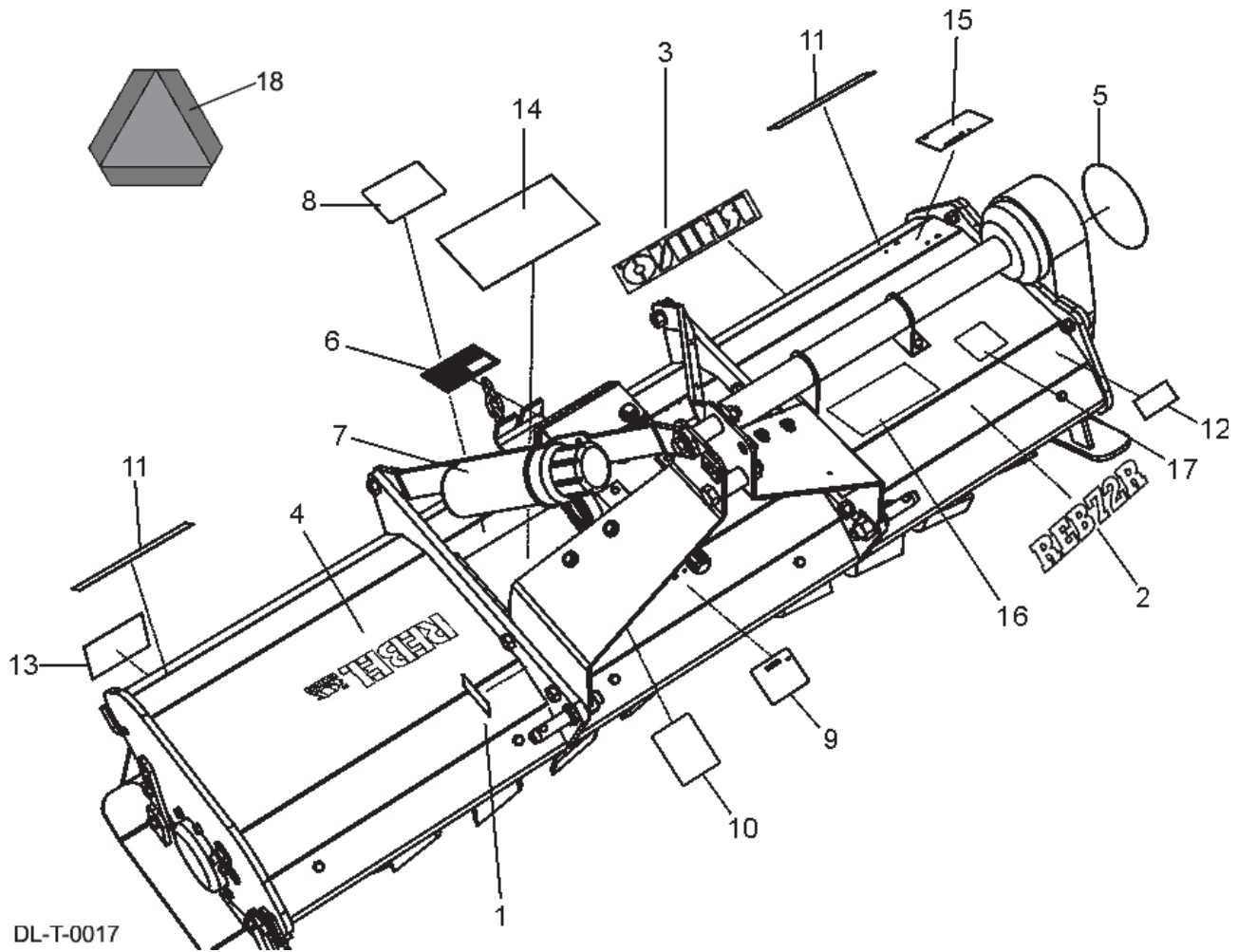
**DECALS
(REB60, REB60R, REB72, REB72R)**



DL-T-0017

ITEM	PART NO.	DESCRIPTION	QTY.
1	N/A	Serial No. Decal	1
2	50075535	Decal, Model Number, REB60	1
	50075537	Decal, Model Number, REB60R	1
	50075536	Decal, Model Number, REB72	1
	50075538	Decal, Model Number, REB72R	1
3	50074662	Decal, RHINO Logo	1
4	50075534	Decal, Rebel Series	1
5	50076463	Decal, Gear Drive Logo	1
6	50074259	Decal, Made in USA	1
7	50035829	Storage Tube, Operators Manual	1
8	D880	Decal, Genuine Parts Warning	1
9	D546	Decal, Danger (Guard Missing)	1
10	D547	Decal, Danger	1
11	50031214	Decal, Red Reflector	2
12	50031212	Decal, Amber Reflector	1
13	81067	Decal, Keep Away Rotating Tines	1
14	78413	Decal, Read Manual	1
15	D628	Decal, Crush Hazard / Pinch Points	1
16	D830	Decal, Danger Multilingual	1
16	D830	Danger, Thrown Objects	1
16	D830	SMV Sign	1

**DECALS
(REB84, REB84R)**



DL-T-0017

ITEM	PART NO.	DESCRIPTION	QTY.
1	N/A	Serial No. Decal	1
2	50075241	Decal, Model, REB84	1
	50075524	Decal, Model, REB84R	1
3	50074462	Decal, RHINO Logo	1
4	50075534	Decal, Rebel Series	1
5	50075533	Decal, Gear Drive Logo	1
6	50074259	Decal, Made in USA	1
7	50035829	Storage Tube, Operators Manual	1
8	D859	Decal, Genuine Parts Warning	1
9	D546	Decal, Danger (Guard Missing)	1
10	D547	Decal, Danger	1
11	50031214	Decal, Red Reflector	2
12	50031212	Decal, Amber Reflector	1
13	81067	Decal, Keep Away Rotating Tines	1
14	78413	Decal, Read Manual	1
15	D628	Decal, Crush Hazard / Pinch Points	1
16	D829	Decal, Danger Multilingual	1

SERVIS-RHINO

LIMITED WARRANTY

1. LIMITED WARRANTIES

- 1.01. Servis-Rhino warrants for one year from the purchase date to the original non-commercial, governmental, or municipal purchaser ("Purchaser") and warrants for six months to the original commercial or industrial purchaser ("Purchaser") that the goods purchased are free from defects in material or workmanship.
- 1.02. Manufacturer will replace for the Purchaser any part or parts found, upon examination at one of its factories, to be defective under normal use and service due to defects in material or workmanship.
- 1.03. This limited warranty does not apply to any part of the goods which has been subjected to improper or abnormal use, negligence, alteration, modification, or accident, damaged due to lack of maintenance or use of wrong fuel, oil, or lubricants, or which has served its normal life. This limited warranty does not apply to any part of any internal combustion engine, or expendable items such as blades, shields, guards, or pneumatic tires except as specifically found in your Operator's Manual.
- 1.04. Except as provided herein, no employee, agent, Dealer, or other person is authorized to give any warranties of any nature on behalf of Manufacturer.

2. REMEDIES AND PROCEDURES.

- 2.01. This limited warranty is not effective unless the Purchaser returns the Registration and Warranty Form to Manufacturer within 30 days of purchase.
- 2.02. Purchaser claims must be made in writing to the Authorized Dealer ("Dealer") from whom Purchaser purchased the goods or an approved Authorized Dealer ("Dealer") within 30 days after Purchaser learns of the facts on which the claim is based.
- 2.03. Purchaser is responsible for returning the goods in question to the Dealer.
- 2.04. If after examining the goods and/or parts in question, Manufacturer finds them to be defective under normal use and service due to defects in material or workmanship, Manufacturer will:
 - (a) Repair or replace the defective goods or part(s) or
 - (b) Reimburse Purchaser for the cost of the part(s) and reasonable labor charges (as determined by Manufacturer) if Purchaser paid for the repair and/or replacement prior to the final determination of applicability of the warranty by Manufacturer.The choice of remedy shall belong to Manufacturer.
- 2.05. Purchaser is responsible for any labor charges exceeding a reasonable amount as determined by Manufacturer and for returning the goods to the Dealer, whether or not the claim is approved. Purchaser is responsible for the transportation cost for the goods or part(s) from the Dealer to the designated factory.

3. LIMITATION OF LIABILITY.

- 3.01. MANUFACTURER DISCLAIMS ANY EXPRESS (EXCEPT AS SET FORTH HEREIN) AND IMPLIED WARRANTIES WITH RESPECT TO THE GOODS INCLUDING, BUT NOT LIMITED TO, MERCHANTABILITY AND FITNESS FOR A PARTICULAR PURPOSE.
- 3.02. MANUFACTURER MAKES NO WARRANTY AS TO THE DESIGN, CAPABILITY, CAPACITY, OR SUITABILITY FOR USE OF THE GOODS.
- 3.03. EXCEPT AS PROVIDED HEREIN, MANUFACTURER SHALL HAVE NO LIABILITY OR RESPONSIBILITY TO PURCHASER OR ANY OTHER PERSON OR ENTITY WITH RESPECT TO ANY LIABILITY, LOSS, OR DAMAGE CAUSED OR ALLEGED TO BE CAUSED DIRECTLY OR INDIRECTLY BY THE GOODS INCLUDING, BUT NOT LIMITED TO, ANY INDIRECT, SPECIAL, CONSEQUENTIAL, OR INCIDENTAL DAMAGES RESULTING FROM THE USE OR OPERATION OF THE GOODS OR ANY BREACH OF THIS WARRANTY. NOT WITHSTANDING THE ABOVE LIMITATIONS AND WARRANTIES, MANUFACTURER'S LIABILITY HEREUNDER FOR DAMAGES INCURRED BY PURCHASER OR OTHERS SHALL NOT EXCEED THE PRICE OF THE GOODS.
- 3.04. NO ACTION ARISING OUT OF ANY CLAIMED BREACH OF THIS WARRANTY OR TRANSACTIONS UNDER THIS WARRANTY MAY BE BROUGHT MORE THAN TWO (2) YEARS AFTER THE CAUSE OF ACTION HAS OCCURRED.

4. MISCELLANEOUS.

- 4.01. Proper Venue for any lawsuits arising from or related to this limited warranty shall be only in Guadalupe County, Texas.
- 4.02. Manufacturer may waive compliance with any of the terms of this limited warranty, but no waiver of any terms shall be deemed to be a waiver of any other term.
- 4.03. If any provision of this limited warranty shall violate any applicable law and is held to be unenforceable, then the invalidity of such provision shall not invalidate any other provisions herein.
- 4.04. Applicable law may provide rights and benefits to purchaser in addition to those provided herein.

KEEP FOR YOUR RECORDS

ATTENTION: Purchaser should fill in the blanks below for his reference when buying repair parts and/or for proper machine identification when applying for warranty.

Servis-Rhino Implement Model _____ Serial Number _____

Date Purchased _____ Dealer _____

ATTENTION:
READ YOUR OPERATOR'S MANUAL

RHINO[®]
1020 S. Sangamon Ave.
Gibson City, IL 60936
800-446-5158
Email: parts@servis-rhino.com





TO THE OWNER/OPERATOR/DEALER

To keep your implement running efficiently and safely, read your manual thoroughly and follow these directions and the Safety Messages in this Manual. The Table of Contents clearly identifies each section where you can easily find the information you need.

The OCCUPATIONAL SAFETY AND HEALTH ACT (1928.51 Subpart C) makes these minimum safety requirements of tractor operators:

REQUIRED OF THE OWNER:

1. Provide a Roll-Over-Protective Structure that meets the requirements of this Standard; and
2. Provide Seatbelts that meet the requirements of this paragraph of this Standard and SAE J4C; and
3. Ensure that each employee uses such Seatbelt while the tractor is moving; and
4. Ensure that each employee tightens the Seatbelt sufficiently to confine the employee to the protected area provided by the ROPS.

REQUIRED OF THE OPERATOR

1. Securely fasten seatbelt if the tractor has a ROPS.
2. Where possible, avoid operating the tractor near ditches, embankments, and holes.
3. Reduce speed when turning, crossing slopes, and on rough, slick, or muddy surfaces.
4. Stay off slopes too steep for safe operation.
5. Watch where you are going - especially at row ends, on roads, and around trees.
6. Do not permit others to ride.
7. Operate the tractor smoothly - no jerky turns, starts, or stops.
8. Hitch only to the drawbar and hitch points recommended by the tractor manufacturer.
9. When the tractor is stopped, set brakes securely and use park lock, if available.



Keep children away from danger all day, every day...



Equip tractors with rollover protection (ROPS) and keep all machinery guards in place...



Please work, drive, play and live each day with care and concern for your safety and that of your family and fellow citizens.

