

Keep with Operators Manual

LOADER HOSE KIT

NEW HOLLAND 7210, 7410, 7410HD, 7312, 7314 & SMC 102QX, 104Q & 104QX LOADERS

The hose kit can be installed on the loader using tools ordinarily available. Shut off tractor engine and engage tractor brakes during the installation.

IMPORTANT: Check for proper tractor valve operation before plumbing loader to tractor. See tractor owner's manual for instructions.

PLUMBING LOADER TO TRACTOR REMOTE VALVE (Figure 1)

1. Install 1/2 x 180". hoses (1) to boom oil line tubes, starting at the bottom and working up. Loosening the first oil line clamp will ease hose installation.
2. Wrap one end of rubber strap (2) around hoses (1) and hook it back on itself. Attach other end of rubber strap (2) to right front mounting bracket stop.
3. Install quick couplers (not supplied with loader) to loose ends of hoses (1) and plug couplers into tractor remote valve couplers.

NOTE: When plugging couplers into tractor remote couplers, be sure to connect the hoses from the upper two boom oil lines to the tractor remote couplers controlled by the valve which is to control bucket rotation. The hoses from the lower two boom oil lines should be connected to the tractor remote couplers controlled by the valve which is to raise or lower the boom.

4. Bundle hoses together between boom oil lines and rubber strap with one adjustable tie strap (3), and use remaining tie straps (3) to secure hoses to the tractor at approximately equal distances along the length of the hoses.

5. After all plumbing is completed, start tractor engine and slowly cycle lift and bucket cylinders several times to free the system of air, then retract cylinders and stop engine. Add additional hydraulic oil, as specified in the tractor operator's manual, to bring the oil level up to full.

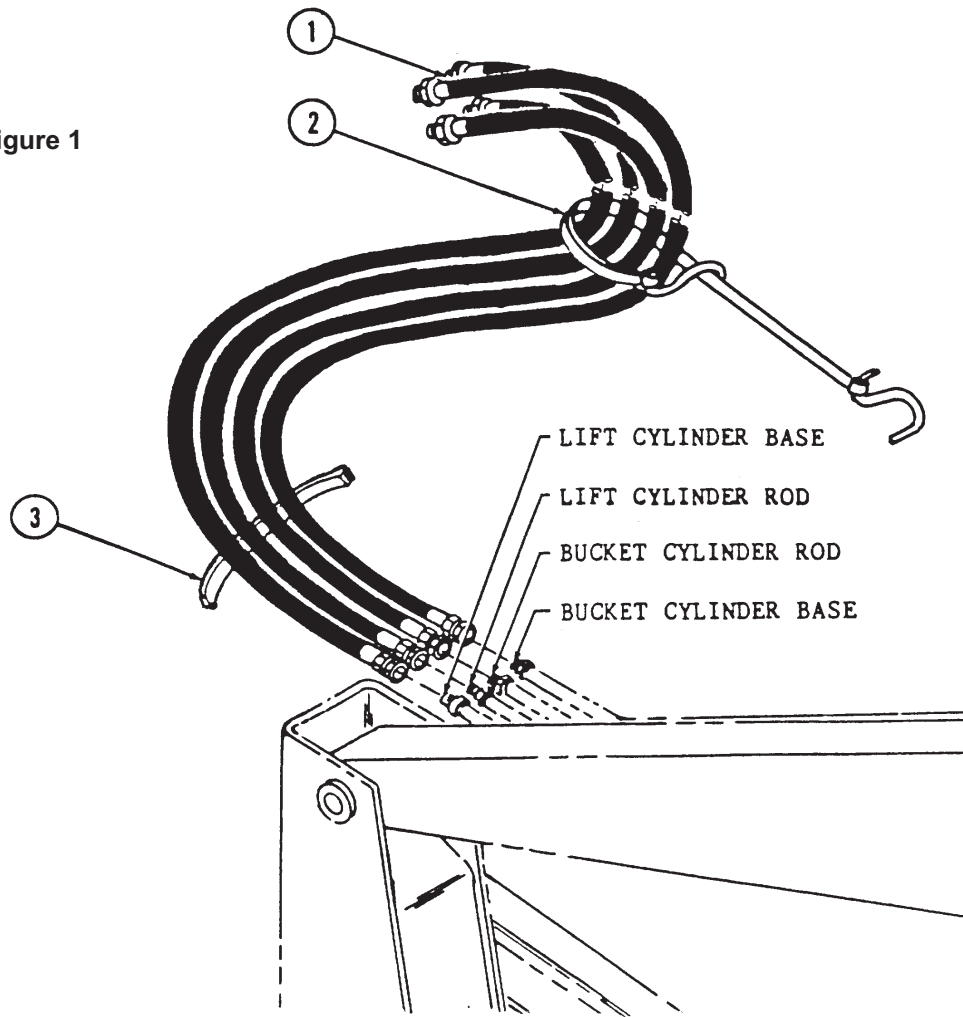
NOTE: When cycling the loader, operate the lever(s) according to the functioning desired. If direction of a control lever is wrong, exchange the quick couplers at the remote couplers controlled by that valve lever.



WARNING: Escaping fluid under pressure can penetrate skin causing serious personal injury.

- Do not use your hands to check for leaks. Use a piece of cardboard or paper. Always wear eye protection when searching for leaks.
- Stop engine and relieve pressure before connecting and disconnecting lines.
- Tighten all connections before starting engine or pressurizing lines.
- If any fluid is injected into skin, obtain medical attention immediately or gangrene may result.

Figure 1

**PARTS LIST**

ITEM	SMC NO.	DESCRIPTION	QTY.
1	36845-4	HOSE, 1/2 x 180"	4
2	7438-1	TIE STRAP, Rubber	1
3	8137-3	STRAP, Adjustable, Plastic	4

INSTALLATION INSTRUCTIONS