

BUNDLE 2-5549
LOADER MOUNTING INSTRUCTIONS FOR
IHC 234 & 234 HYDRO, CASE-IH 235 & 235 HYDRO 2WD & 4WD, AND
MITSUBISHI MT160, MT180, MT180D, MT180H & MT180HD
WITH OR WITHOUT
HABAN 616-IH60, HA60MP, 618-IH54R, MTM60B, MTM60-MP, MTM54-A,
CASE-IH 60MS & 60M, OR WOODS 35 MOWERS

The mounting brackets can be installed using tools ordinarily available. Shut off the tractor engine and engage tractor brakes during installation.

NOTE: Leave all attaching hardware loose until the loader is completely assembled to facilitate assembly and proper loader alignment. Torque hardware to the torque specifications in the owner's manual.

INSTALLING MOUNTING BRACKETS

NOTE: Elevate front of tractor and block up tractor engine frame during installation of mid mounting brackets (1 & 2).

1. Remove the three M12 metric cap screws from the left side of the tractor in the locations shown in figure 1.

NOTE: If tractor is equipped with a Haban or Case mower, this involves removal of up stop brackets (M--see figure 2). Remove and retain up stop extension (T) and hardware for later relocation before storing up stop brackets.

Fasten left frame reinforcement (4), spacer plate (8) and left mid mounting bracket (1) to left side of tractor with M12 x 50 metric cap screws (17) and lock washers (19). Repeat this procedure to fasten right frame reinforcement (5), spacer plate (8) and right mid mounting bracket (2) to right side of tractor.

2. Install front mounting bracket (3).
 - a. If tractor is equipped with a front or mid PTO mower, the front pulley cover (L₁) must be modified to accommodate the front mounting bracket (3). Cut 1" off the top of the front pulley cover for Haban or Case International mowers and cut 1-1/4" off cover for Woods F35 mowers. It is also necessary to cut a 3/8 x 1-1/4 notch out of the upper front corner of each side of mower front mounting brackets for Haban and Case International mowers, see figure 2A.



WARNING: After mower front pulley cover (L₁) has been modified, the front PTO mower must never be used without loader front mounting bracket (3) attached to tractor since it replaces protection previously given by top 1" to 1-1/4" of front pulley cover.

INSTALLING MOUNTING BRACKETS (continued)

- b. Fasten front mounting bracket (3) along with frame reinforcements (4 & 5) already in place to tractor frame using 1/2 x 2-1/2 cap screws (12) and lock nuts (22). With most mowers, 1/2 lock washers (19) can be substituted for lock nuts (22) on the rearmost cap screws (12).
 - c. If hood strikes front mounting bracket when opened, install 3/8 x 3/4" cap screws (15), lock washers (21) and nuts (25) into hinge rotation slots to limit hinge movement.
 3. Install one 1/2" hex nut (24) onto each end of threaded rod (11) and hand turn nuts as far as possible onto rod. Slide end of rod with the most threads beyond nut underneath the tractor from the right side and into the hole in the left mid mounting bracket (1). Slide the other end into hole in right mid mounting bracket (2). Center rod (11) with tractor and snug hex nuts (24) against inside surfaces of mid mounting brackets (1 & 2). Install lock washers (19) and hex nuts (24) onto ends of threaded rod (11) and tighten to outside surfaces of mid mounting brackets and thereby fasten rod in place.
 4. Raise and support rear end of tractor and remove left rear wheel. Fasten left rear reinforcement bracket (6) to left mid mounting bracket (1) with 1/2 x 1-3/4" cap screws (13), flat washers (18) and lock nuts (22). Remove the two M10 metric cap screws from the tractor 3-point hitch bracket to free holes necessary for rear holes in reinforcement bracket (6). Fasten reinforcement bracket to 3-point hitch bracket and tractor using M10 x 100 metric cap screws (16) and lock washers (20). Reinstall wheel and repeat procedure to secure right rear reinforcement bracket (7) to right mid mounting bracket (2) and to tractor at right 3-point hitch bracket.
 5. For all tractors equipped with mowers, adjust rear lift adjustment to prevent mower from contacting loader mounting brackets when fully raised. For Haban or Case International mowers, replace the lift straps supplied with mower (BB) with lift straps (9 & 10) supplied with kit, and relocate up stop extensions (T), removed in step 1, to holes in mid mounting brackets (1 & 2).

NOTE: Fasten up stop extensions to upper holes in mid mounting brackets if tractor has low profile (31 x 15.5-15) tires. Use lower holes for all other tire sizes.

If mower is a Haban HA60MP-5, MTM60-MP, or Case International 60MS, replace locating pin and hair pin (L₂) with 3/8 x 2-1/4" cap screw (14) and lock nut (23) on each side of mower deck with head of cap screw to outside of tractor.

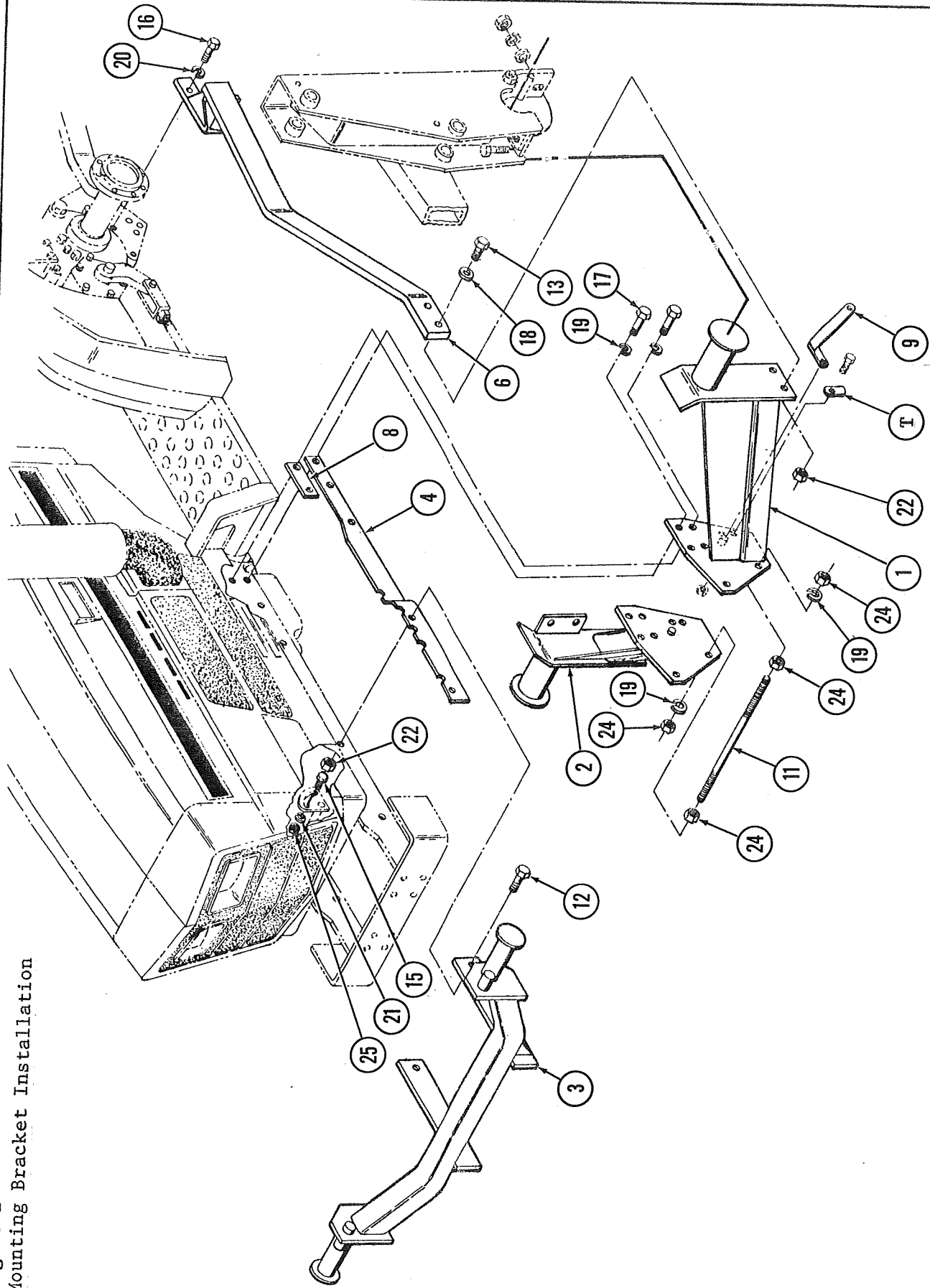
INSTALLING LOADER TO MOUNTING BRACKETS

1. Position hinges inside of side frames. Install 5/8 x 4-1/2 carriage bolts and secure with lock nuts. (Carriage bolts and lock nuts are supplied with loader.)
2. Attach nylon slings around the loader front bumper and use an overhead hoist to raise loader off the pallet and lower to a horizontal position. Attach the nylon slings around the lift boom arms and use the overhead hoist to raise loader and position side frames over the front mounting bracket. Slide loader to the rear until side frame uprights are over the mid mounting bracket tubes.
3. Clamp hinges around tubes of mid mounting brackets. Fasten with 5/8 x 3 cap screws, flat washers, lock washers and hex nuts (supplied with loader).
4. Refer to the loader owner's manual and instructions packed with plumbing kit to complete loader installation and for location of decals.

PARTS LIST

Item	Part No.	Description	Qty.
1	36628	BRACKET, Mid Mounting, Left	1
2	36631	BRACKET, Mid Mounting, Right	1
3	38155	BRACKET, Front Mounting	1
4	37104-1	REINFORCEMENT, Frame, Left	1
5	37104-2	REINFORCEMENT, Frame, Right (Not Shown)	1
6	38285-1	BRACKET, Rear Reinforcement, Left	1
7	38285-2	BRACKET, Rear Reinforcement, Right (Not Shown)	1
8	37101	PLATE, Spacer	2
9	36634-1	LIFT ARM, Left	1
10	36634-2	LIFT ARM, Right	1
11	37115	ROD, Spacer	1
12	G180185	SCREW, Cap, 1/2-13 x 2-1/4	4
13	G180179	SCREW, Cap, 1/2-13 x 1-3/4	4
14	G180132	SCREW, Cap, 3/8-16 x 2-1/4	2
15	G180120	SCREW, Cap, 3/8-16 x 3/4	2
16	6090-71	SCREW, Metric Cap, M10-1.25 x 100	4
17	6090-17	SCREW, Metric Cap, M12-1.25 x 50	10
18	G120396	WASHER, Flat, 1/2	4
19	G120384	WASHER, Lock, 1/2	14
20	G120383	WASHER, Lock, 7/16	4
21	G120382	WASHER, Lock, 3/8	2
22	G9414074	NUT, Lock, 1/2-13	8
23	G9413534	NUT, Lock, 3/8-16	2
24	G120378	NUT, Hex, 1/2-13	4
25	G120377	NUT, Hex, 3/8-16	2

Figure 1
Mounting Bracket Installation



(For Mower
Deck Only)

Figure 2
Mower Deck Modifications

