

LOADER MOUNTING KIT INSTRUCTIONS

JOHN DEERE 655, 755, & 855 2WD & 4WD TRACTORS

Mount kit can be installed using tools ordinarily available. Shut off engine and engage brakes during installation.

NOTE: Leave all attaching hardware loose until loader is completely assembled to facilitate assembly and proper alignment. Torque hardware to torque specifications in loader operator's manual.

This mounting kit is compatible with John Deere 50, 60, and 72-inch mowers available for John Deere 55 series tractors. On tractors equipped with a mower, lower the mower deck for easier installation of loader mounting brackets.

INSTALLING MOUNTING BRACKETS

1. Fasten left front mounting bracket (1) to left side of tractor front frame using 1/2 x 1-1/2 cap screws (8) and lock nuts (9). Repeat procedure for right front mounting bracket (2).

NOTE: For 655 tractors, rearmost cap screw (8) and nut (9) are fastened through rearmost hole of front mounting brackets (1 & 2). For 755 and 855 tractors, rearmost cap screw (8) and nut (9) are fastened through second hole from rear.

2. Slide mid cross tie tube (5) through tractor frame cross tube locate at mid tractor. Fasten 1/2 x 4-1/2 cap screws (7) and 1/2 lock nuts (9) diagonally through mid cross tie tube (5) and tractor cross tube to secure mid cross tie tube (5) to tractor.

NOTE: Before sliding mid cross tie tube (5) through tractor cross tube, make sure holes in both align along same diagonal and holes across flats of mid cross tie tube (5) line up vertically.

3. Fasten left mid mounting bracket (3) to left end of mid cross tie tube (5) using 1/2 X 3-1/2 cap screws (6) and lock nuts (9). Use identical hardware to fasten right mid mounting bracket (4) to right end of mid cross tie tube.

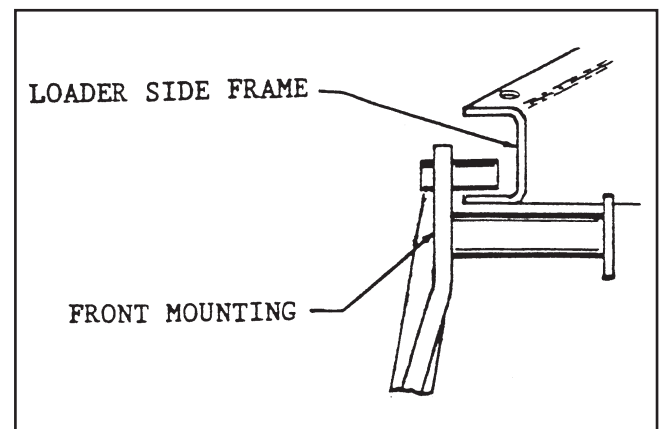
INSTALLING LOADER TO MOUNTING BRACKETS



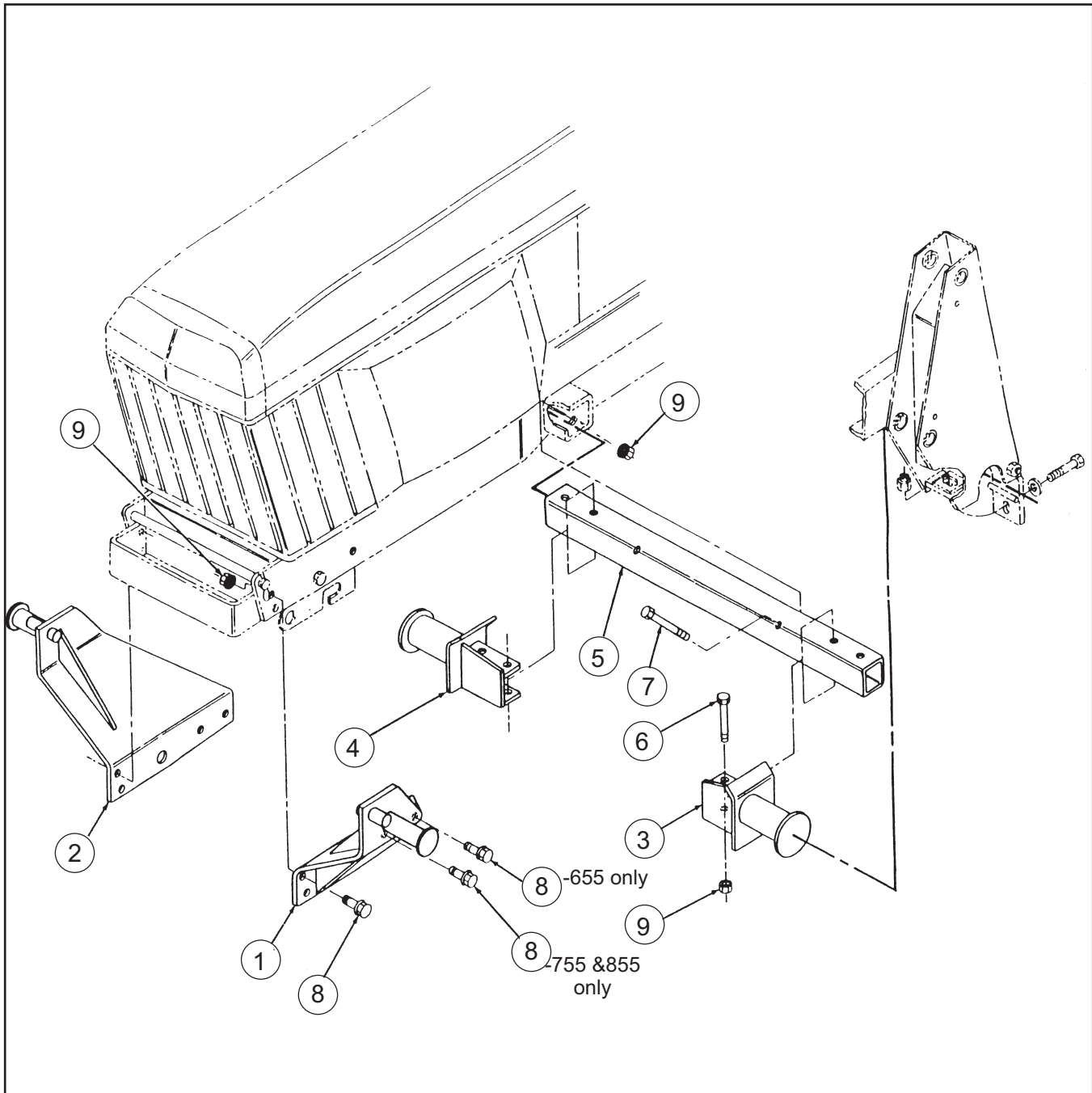
WARNING: To avoid injury during installation of loader, do not permit bystanders within ten feet of loader.

1. Position hinges inside of side frames. Install 5/8 x 4-1/2 carriage bolts and secure with lock nuts. (Hinges, carriage bolts, and lock nuts are supplied with loader.)
2. Attach nylon slings around the loader front bumper. Use an overhead hoist to raise the loader off the pallet and lower to a horizontal position. Attach nylon slings around the lift boom arms. Use the overhead hoist to raise the loader and position side frame channels over the front mounting bracket tubes. Slide loader to the rear until side frame uprights are on mid mounting bracket tubes.

NOTE: Lower lip on side frame channel must be between tube and round of front mounting brackets on each side of tractor.



3. Clamp hinges around tubes of mid mounting brackets. Fasten with 5/8 x 2-1/4 cap screws, washers, and lock nuts (supplied with loader).
4. Refer to the loader operator's manual and instructions packed with hose kit to complete loader installation and for location of decals.



PARTS LIST - MOUNTING KIT

ITEM	PART NO.	DESCRIPTION	QTY.
1	38274-1	BRACKET, Front Mounting, Left	1
2	38274-2	BRACKET, Front Mounting, Right	1
3	38277-1	BRACKET, Mid Mounting, Left	1
4	38277-2	BRACKET, Mid Mounting, Right	1
5	38276	TUBE, Mid Cross Tie	1
6	G180192	SCREW, Cap, 1/2-13 x 3-1/2	4
7	6090-90	SCREW, Cap, 1/2 x 4-1/2	2
8	38238	SCREW, Cap, 1/2 x 1-1/2	6
9	G9414074	NUT, Lock, 1/2-13	12