

BUNDLE 2-5560
LOADER MOUNTING KIT INSTRUCTIONS
FOR JOHN DEERE 750 2WD & FWA TRACTORS
WITH OR LESS JOHN DEERE 160 MOWER

The mounting brackets can be installed using tools ordinarily available. Shut off the tractor engine and engage tractor brakes during installation.

NOTE: Leave all attaching hardware loose until the loader is completely assembled to facilitate assembly and proper loader alignment. Tighten all hardware to the torque specified by the table in the loader operator's manual.

This mounting kit is compatible with the John Deere 160 mower available for John Deere 750 2WD & FWA tractors. On tractors equipped with a mower, lower the mower deck for easier installation of loader mounting brackets.

INSTALLING MOUNTING BRACKETS

1. Loosely fasten left front mounting bracket (1) to left side of tractor frame using 1/2 x 2 cap screws (8), flat washers (14) and lock nuts (16). Repeat procedure for right front mounting bracket (2).

NOTE: If tractor is equipped with a mower, it is necessary to remove existing hardware which fastens mower front drive assembly to tractor frame. Support mower front drive assembly while removing hardware and fastening loader front mounting brackets (1 & 2) to tractor frame one side at a time using 1/2 x 2 cap screws (8), flat washers (14) and lock nuts (16). (Cap screws are long enough to also fasten mower front drive assembly to inside of tractor frame.)

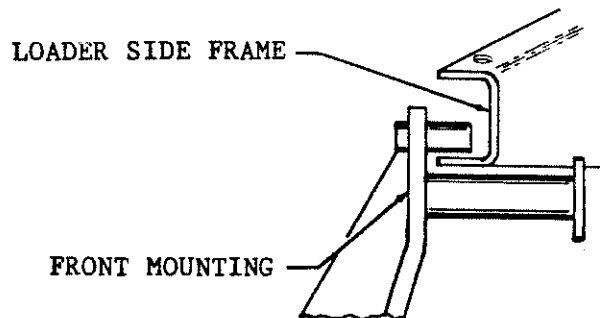
2. Fasten front crosstie angle (3) to left and right front mounting brackets (1 & 2) using 1/2 x 1-3/4 cap screws (9) and lock washers (15).
3. Placing spacer plates (6 & 7) between left mid mounting bracket (4) and tractor transmission housing as shown, fasten left mid mounting bracket (4) to transmission housing using M12 x 45 metric cap screws (10), flat washers (14) and lock washers (15). Fasten left mid mounting bracket (4) to tractor frame using one M12 x 35 metric cap screw (12) flat washer (14) and lock washer (15). Fasten M12 x 40 metric cap screws (11) and lock washers (15) through bottom of left mid mounting bracket (4) and spacer (7) into underside of tractor transmission housing. Fasten right mid mounting bracket (5) and spacers (6 & 7) to right side of tractor using identical hardware.

NOTE: If tractor is equipped with a mower, it is necessary to first remove mower draft support brackets and attaching hardware from tractor transmission housing before loader mid mounting brackets (4 & 5) can be attached. After loader mid mounting brackets (4 & 5) have been installed, fasten mower left rear draft link to left mid mounting bracket (4) using a clevis pin (17), flat washer (13) and hair cotter pin (18). Fasten right rear draft link to right rear mounting bracket (5) using remaining clevis pin (17) and hair cotter pin (16). Whenever transport pin is required for transporting mower, transport pin should be fastened to outside of mid mounting brackets with spring locking pin toward center of tractor.

INSTALLING LOADER TO MOUNTING BRACKETS

1. Position hinges inside of side frames. Install 5/8 x 4-1/2 carriage bolts and secure with lock nuts. (Hinges, carriage bolts and lock nuts are supplied with loader.)
2. Attach nylon slings around the loader front bumper. Use an overhead hoist to raise the loader off the pallet and lower to a horizontal position. Attach nylon slings around the lift boom arms. Use the overhead hoist to raise the loader and position side frame channels over the front mounting bracket tubes. Slide loader to the rear until side frame uprights are on mid mounting bracket tubes.

NOTE: Lower lip on side frame channel must be between tube and round of front mounting brackets on each side of tractor.



3. Clamp hinges around tubes of mid mounting brackets. Fasten with 5/8 x 2-1/4 cap screws, washers, and lock nuts (supplied with loader).
4. Refer to the loader operator's manual and instructions packed with hose kit to complete loader installation and for location of decals.

PARTS LIST

Item	Part No.	Description	Qty.
1	38333-1	BRACKET, Front Mounting, Left	1
2	38333-2	BRACKET, Front Mounting, Right	1
3	38332	ANGLE, Front Crosstie	1
4	38334-1	BRACKET, Mid Mounting, Left	1
5	38334-2	BRACKET, Mid Mounting, Right	1
6	38326	PLATE, Spacer, Vertical	2
7	38327	PLATE, Spacer, Horizontal	2
8	G180181	SCREW, Cap, 1/2-13 x 2	6
9	G180179	SCREW, Cap, 1/2-13 x 1-3/4	4
10	6090-10	SCREW, Metric Cap, M12-1.75 x 45	4
11	6090-65	SCREW, Metric Cap, M12-1.75 x 40	4
12	6090-22	SCREW, Metric Cap, M12-1.75 x 35	2
13	G131016	WASHER, Flat, 5/8	1
14	G120396	WASHER, Flat, 1/2	12
15	G120384	WASHER, Lock, 1/2	14
16	G9414074	NUT, Lock, 1/2-13	6
17	6021-38	PIN, Clevis, 5/8 x 2-1/2	2
18	6003-3	PIN, Hair Cotter	2

