

Keep with Operators Manual

HOSE KIT INSTRUCTIONS

SMC 2408 and 2409 LOADERS

J.D. 855, 870, 970, 990 and 1070 TRACTORS

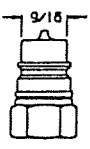
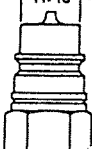
Hose kit can be installed using tools ordinarily available. Shut off engine and engage brakes during installation.

NOTE: Apply sealant only to all tapered threads unless coupled with swivle adapters. When using teflon tape, wrap tape clockwise (as viewed from end) and wrap tape only twice. Keep sealant away from first two threads of tapered end to prevent contamination of hydraulic fluid. Do not use sealant on O-ring or flare adapter threads..

INSTALLING HOSE KIT TO LOADER

1. Assemble colored identification bands (4, 5, 6 & 7), reducer fittings (8) and male quick couplers (not supplied) onto male ends of 3/8 x 144 hoses (1).

NOTE: Obtain male quick couplers from your dealer. The following chart lists some compatible couplers.

| 1/4" BODY | | | 3/8" BODY | | | 1 1/16" | |
|-----------|----------------|---|---------------|--|---|----------|--------|
| CATALOG | PART NO. | | PART NO. | | | PART NO. | O-RING |
| PARKER | 410-T6-413 |  | H3-63-T8 | |  | | |
| J.D. | AM102420 | | AM105467 | | | | |
| THREAD | 9/16-18 o-ring | | 3/4-16 o-ring | | | | |

2. Connect female ends of 3/8 x 144 hoses (1) to boom oil line tubes according to color of identification band as follows:

Hose with black band (6) to bottom oil line tube (lift cylinder base); hose with green band (7) to second from bottom (lift cylinder rod); hose with silver band. (4) to second from top (bucket cylinder rod); and hose with yellow band (5) to top oil line (bucket cylinder base). Loosening the first oil line clamp will ease hose installation.

3. Bundle the four hoses together and slip them through nylon sleeve (3). Route hoses inside right side frame channel, front bumper, and left side frame channel to tractor quick couplers.

NOTE: 2409 - Cut nylon sleeve (3) in half to 66".

4. Connect hoses to hydraulic valve (Figure 3). Install colored bands to male quick couplers to match colors on female quick couplers.
5. Fasten 20 inch tie straps (2) around right and left side frame channels and front bumper to secure hoses in place.

NOTE: 2409 - Refer to Figure 2 to fasten hoses to loader side frames.

6. After all plumbing is completed, start tractor engine -and slowly cycle lift and bucket cylinders several times to free the system of air, then retract cylinders and stop engine. Add additional hydraulic oil, as specified in the tractor operator's manual, to bring the oil up to full.

NOTE: When cycling the loader, operate the lever according to the function desired. If direction of control lever is wrong, exchange the quick couplers at the remote couplers controlled by that valve lever..



WARNING: Escaping fluid under pressure can penetrate skin causing serious personal injury.

- Do not use your hands to check for leaks. Use a piece of cardboard or paper. Always wear eye protection when searching for leaks.
- Stop engine and relieve pressure before connecting and disconnecting lines.
- Tighten all connections before starting engine or pressurizing lines.

If any fluid is injected into skin, obtain medical attention immediately or gangrene may result.

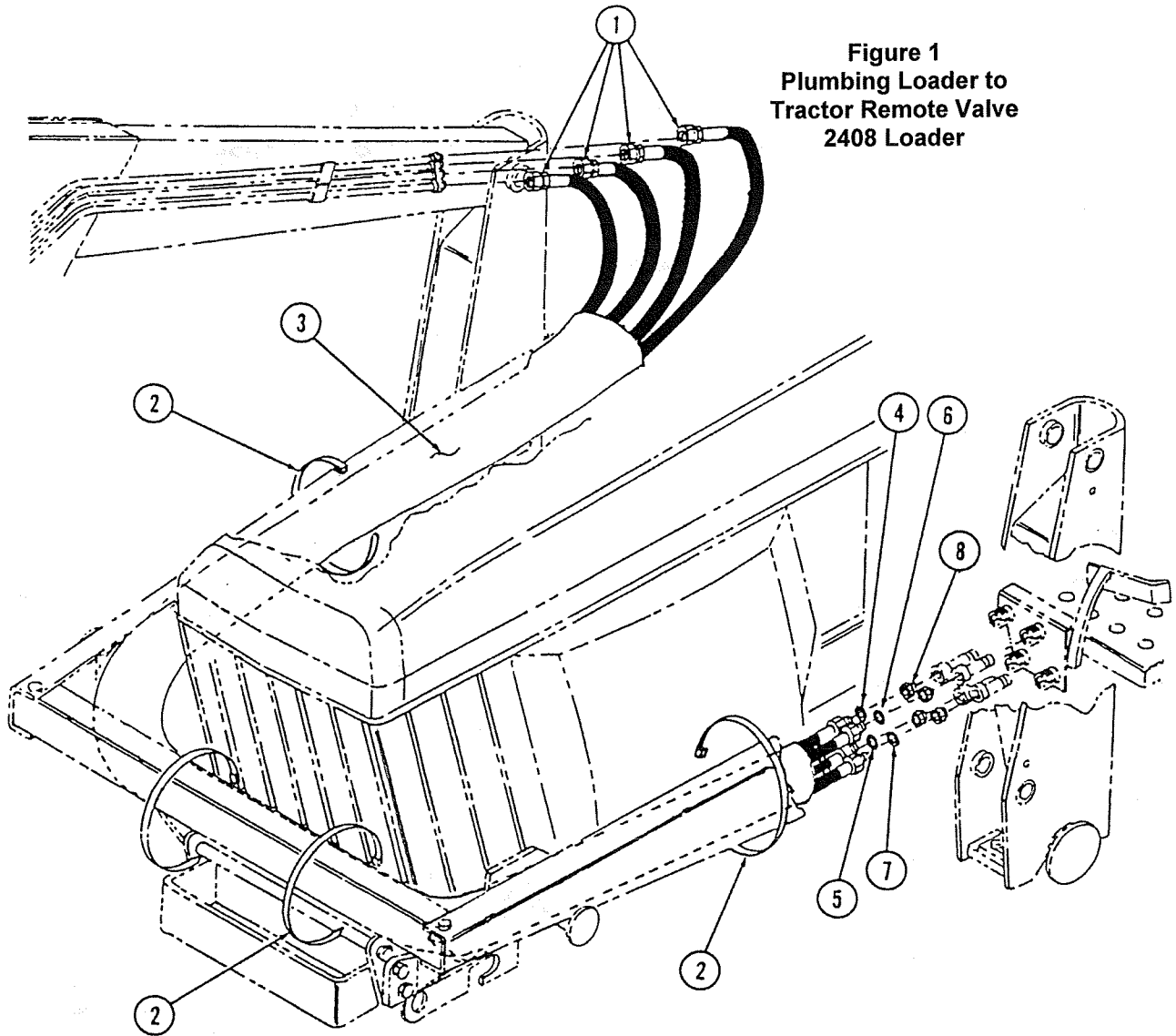


Figure 1
Plumbing Loader to
Tractor Remote Valve
2408 Loader

PARTS LIST - HOSE KIT

| ITEM | SMC NO. | DESCRIPTION | QTY. |
|------|----------|------------------------------------|------|
| 1 | 38576-3 | HOSE, 3/8 x 144 | 4 |
| 2 | 8137-3 | STRAP, Adjustable Tie | 4 |
| 3 | 34853-12 | SLEEVE, Nylon, 1.59 x 132 | 1 |
| 4 | 37599-1 | BAND, Colored, Silver | 1 |
| 5 | 37599-2 | BAND, Colored, Yellow | 1 |
| 6 | 37599-3 | BAND, Colored, Black | 1 |
| 7 | 37599-4 | BAND, Colored, Green | 1 |
| 8 | 44286-1 | FITTING, Adapter, 3/4-16 x 9/16-18 | 4 |