

**BUNDLE 2-5676**  
**LOADER MOUNTING INSTRUCTIONS FOR**  
**KUBOTA B2150DT, B2150HSD, B8200DT, B8200HSD,**  
**B9200DT & D9200HSD TRACTORS**  
**WITH OR LESS RCB60-1, RC60-82H & RC60-92H**  
**MID MOUNT MOWERS**

The mounting brackets can be installed on the tractor using tools ordinarily available. Shut off the tractor engine and engage tractor brakes during installation.

If the tractor is equipped with a mower deck, detach the mower until the loader mounting bracket installation is complete.

**NOTE:** Leave all attaching hardware loose until the loader is completely assembled to facilitate assembly and proper loader alignment. Tighten all hardware to the torque specified by the table in the loader operator's manual.

**INSTALLING MOUNTING BRACKETS**

1. Remove two existing M12 metric cap screws in underside of tractor transmission housing and remove two M10 metric cap screws ahead of rear axle on each side of tractor. Fasten mid mounting bracket (1) to tractor as shown using M12 x 30 metric cap screws (5), lock washers (11) and flat washers (10) in the three holes in each side of tractor engine frame, and M10 x 50 metric cap screws (13), lock washers (14) and flat washers (15) into the two holes in each side of tractor. Just ahead of rear axle, position spacers (16) between bracket and tractor at frontmost hole of each pair. Install M12 x 45 metric cap screws (6), lock washers (11), flat washers (10) and spacer (17) into the two holes in the underside of tractor transmission housing.

**NOTE:** It may be necessary to turn the hose clamp which holds the rubber boot onto the tractor front drive shaft so it will clear the loader mid mounting cross tube.

2. Fasten the front mounting bracket (2) to the tractor engine frame with 1/2 x 1-1/4 cap screws (7) and lock nuts (12) in the frontmost hole in each side, and 1/2 x 1-3/4 cap screws (8) and lock nuts (12) in the second hole from the front in each side.
3. Fasten the left mid mounting tube (3 B2150, B9200; 4 B8200) to the left branch of mid mounting bracket (1) and right mid mounting tube (4 B2150, B9200; 3 B8200) to the right branch using 1/2 x 1 carriage bolts (9) and lock nuts (12).

**NOTE:** Placing mounting tube (3) on the left and mounting tube (4) on the right results in the tube centers being offset ahead of the center of the carriage bolt pattern for B2150 and B9200 tractors. For B8200 tractors, placing mounting tube (4) on the left and mounting tube (3) on the right results in the tube centers being offset behind the center of the carriage bolt pattern.

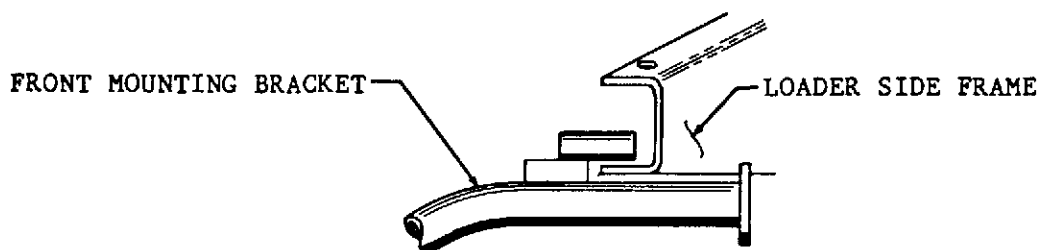
## INSTALLING MOUNTING BRACKETS (continued)

4. If the tractor is equipped with a mower deck, it may be reattached at this time. It may be necessary to adjust the raise height linkages to limit mower height and maintain clearance between the mower deck and the mid mounting bracket.

## INSTALLING LOADER TO MOUNTING BRACKETS

1. Attach nylon slings around the loader front bumper and use an overhead hoist to support loader while removing pallet attachment brackets from loader: remove  $3/8$  lock nuts and shoulder bolts which secure flat brackets to loader and remove  $3/4$  lock nuts and carriage bolts which secure angle brackets to loader, then remove pallet. Reinstall hardware to loader to secure pins and hinges to loader.
2. Remove  $5/8$  x  $2-1/4$  cap screws, washers and lock nuts so hinges can be opened. Lower loader to a horizontal position and attach nylon slings around the loader lift boom arms. Use the overhead hoist to raise the loader and position the side frame channels over the front mounting brackets. Slide the loader to the rear until side frames uprights are on the mid mounting tubes.

**NOTE:** Lower lip of side frame channel must be between front mounting tubes.

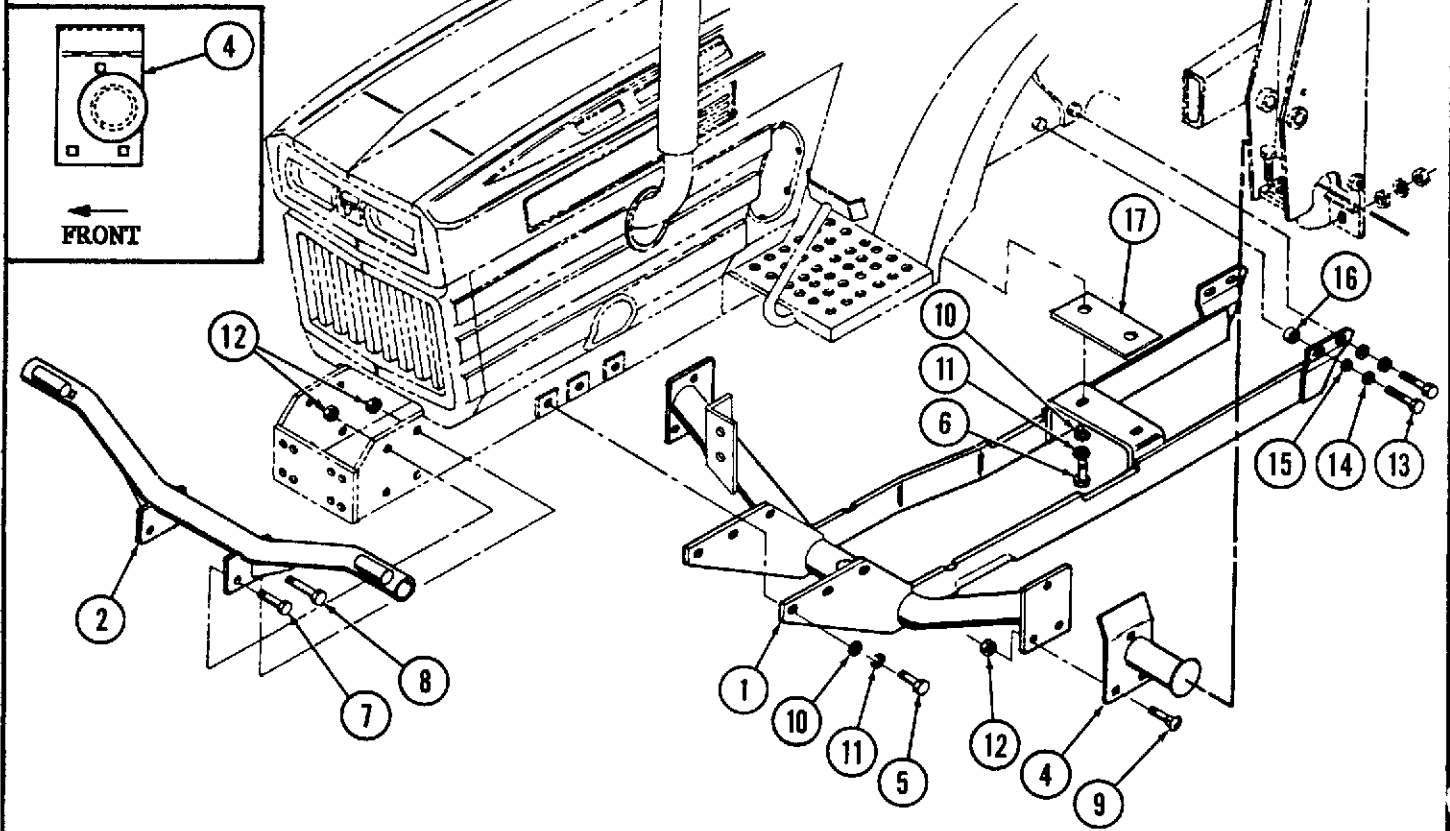


3. Clamp hinges around tubes of mid mounting bracket. Fasten with  $5/8$  x  $2-1/4$  cap screws, flat washers, lock washers and hex nuts (supplied with loader).
4. Refer to the loader owner's manual and plumbing kit instructions to complete the loader installation and for location of decals.

**PARTS LIST**

Item	Part No.	Description	Qty.
1	39000	BRACKET, Mid Mounting	1
2	36760	BRACKET, Front Mounting	1
3	36761-2	TUBE, Mid Mounting, B2150-B9200, Left, B8200 Right	1
4	36761-1	TUBE, Mid Mounting, B2150-B9200 Right, B8200 Left	1
5	6090-25	SCREW, Metric Cap, M12-1.25 x 30	6
6	6090-10	SCREW, Metric Cap, M12-1.75 x 45	2
7	G180175	SCREW, Cap, 1/2-13 x 1-1/4	2
8	G180179	SCREW, Cap, 1/2-13 x 1-3/4	2
9	G126475	BOLT, Carriage, 1/2-13 x 1	6
10	G120396	WASHER, Flat, 1/2	8
11	G120384	WASHER, Lock, 1/2	8
12	G9414074	NUT, Lock, 1/2-13	10
13	6090-89	SCREW, Metric Cap, M10-1.5 x 50	4
14	G120383	WASHER, Lock, 7/16	4
15	G120395	WASHER, Flat, 7/16	4
16	37465	SPACER	2
17	41417	SPACER, .25 x 2 x 6.5	1

**Figure 1**  
 Mounting installation for  
 B8200- Tractors



**Figure 2**  
 Alternate mid mounting tube  
 location for B2150HSD and  
 B9200- Tractors

