

BUNDLE 2-5700
84Q LOADER MOUNTING KIT INSTRUCTIONS FOR
NEW HOLLAND 1320, 1520, 1620HST & 1720 2WD & FWA TRACTORS
WITH OR LESS ARPS MODEL 80 OR NEW HOLLAND MODEL 757B BACKHOE
AND NEW HOLLAND AUXILIARY VALVE 9607232 AND 915 MOWER DECK

The mounting brackets can be installed using tools ordinarily available. Shut off the tractor engine and engage tractor brakes during installation.

NOTE: Leave all attaching hardware loose until the loader is completely assembled to facilitate assembly and proper alignment. Tighten all hardware to the torque specifications in the loader operator's manual.

INSTALLING MOUNTING BRACKETS

NOTE: Before installing front mounting bracket (1) to the model 1720 tractor, remove and discard one cap screw with washer and nut from each side of the tractor front frame at the location indicated. Model 1320 and 1520 do not require any bolt removal..

1. Fasten front mounting bracket (1) to each side of tractor front frame using 1/2 x 1-3/4 cap screws (5) and lock nuts (6).
2. Placing spacers (4) between tractor transmission casting and left mid mounting bracket (2) with chamfered corner of upper spacer to the upper rear, fasten left mid mounting bracket (2) and spacers (4) in place with M16 x 50 metric cap screws (7) and lock washers (8) (Figure 1).
3. Fasten remaining spacers (4) and right mid mounting bracket (3) to right side of tractor (with chamfered corner of upper spacer to upper rear) using M16 x 50 metric cap screws (7) and lock washers (8) (Figure 1).

NOTE: If using 915 mower deck, spacers (4) are not used. Use 3/8 spacers provided with mower deck (Figure 2).

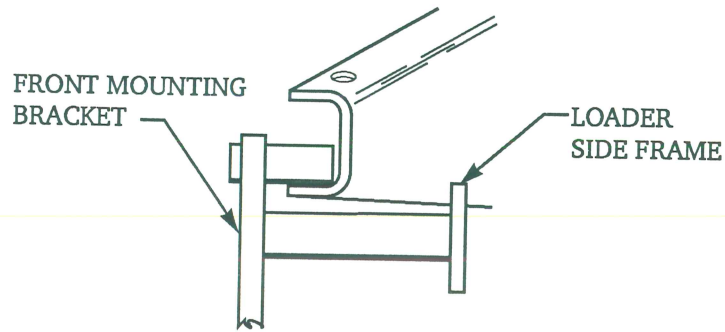
NOTE: If tractor is equipped with a Ford mounted remote valve, remove and discard the hardware fastening valve mounting bracket to the tractor. Sandwich the valve mounting bracket between right mid mounting bracket (3) and tractor transmission casting, eliminating right spacers (4).

INSTALLING LOADER TO MOUNTING BRACKETS

1. Attach nylon slings around the loader front bumper and use an overhead hoist to support loader while removing pallet attachment brackets from loader: remove 3/8 lock nuts and shoulder bolts which secure flat brackets to loader and remove 3/4 lock nuts and carriage bolts which secure angle brackets to loader, then remove pallet. Reinstall hardware to loader to secure pins and hinges to loader.
2. Remove 5/8 x 2-1/4 cap screws, washers and lock nuts so hinges can be opened. Lower loader to a horizontal position and attach nylon slings around the loader lift boom arms.
3. Use overhead hoist to raise the loader and position the side frame channels over the front mounting bracket. Slide the loader to the rear until side frame uprights are on the mid mounting tubes.

INSTALLING LOADER TO MOUNTING BRACKETS (Continued)

NOTE: Lower lip of side frame channel must be between front mounting tubes.



4. Clamp hinges around tubes of mid mounting crosstie. Fasten with 5/8 x 2-1/4 cap screws, flat washers lock washers and nuts (supplied with loader).
5. Refer to the loader owner's manual and plumbing kit instructions to complete the loader installation and for location of decals.

PARTS LIST

Item	Part No.	Description	Qty.
1	39097	BRACKET, Front Mounting	1
2	38044	BRACKET, Mid Mounting, Left	1
3	38042	BRACKET, Mid Mounting, Right	1
4	38049	SPACER, , Flat	4
5	G180181	SCREW, Cap, 1/2-13 x 2.00	4
6	G9414074	NUT, Lock, 1/2-13	4
7	6090-14	SCREW, Cap, 16-2.00 x 50	8
8	G121574	WASHER, Lock, 5,8	8
9	6090-100	SCREW, Cap, 16-2.00 x 60 (used only with mower deck)	6

NOTE: For model 1720 2WD and FWA tractors, remove bolt from this location on each side of tractor frame.

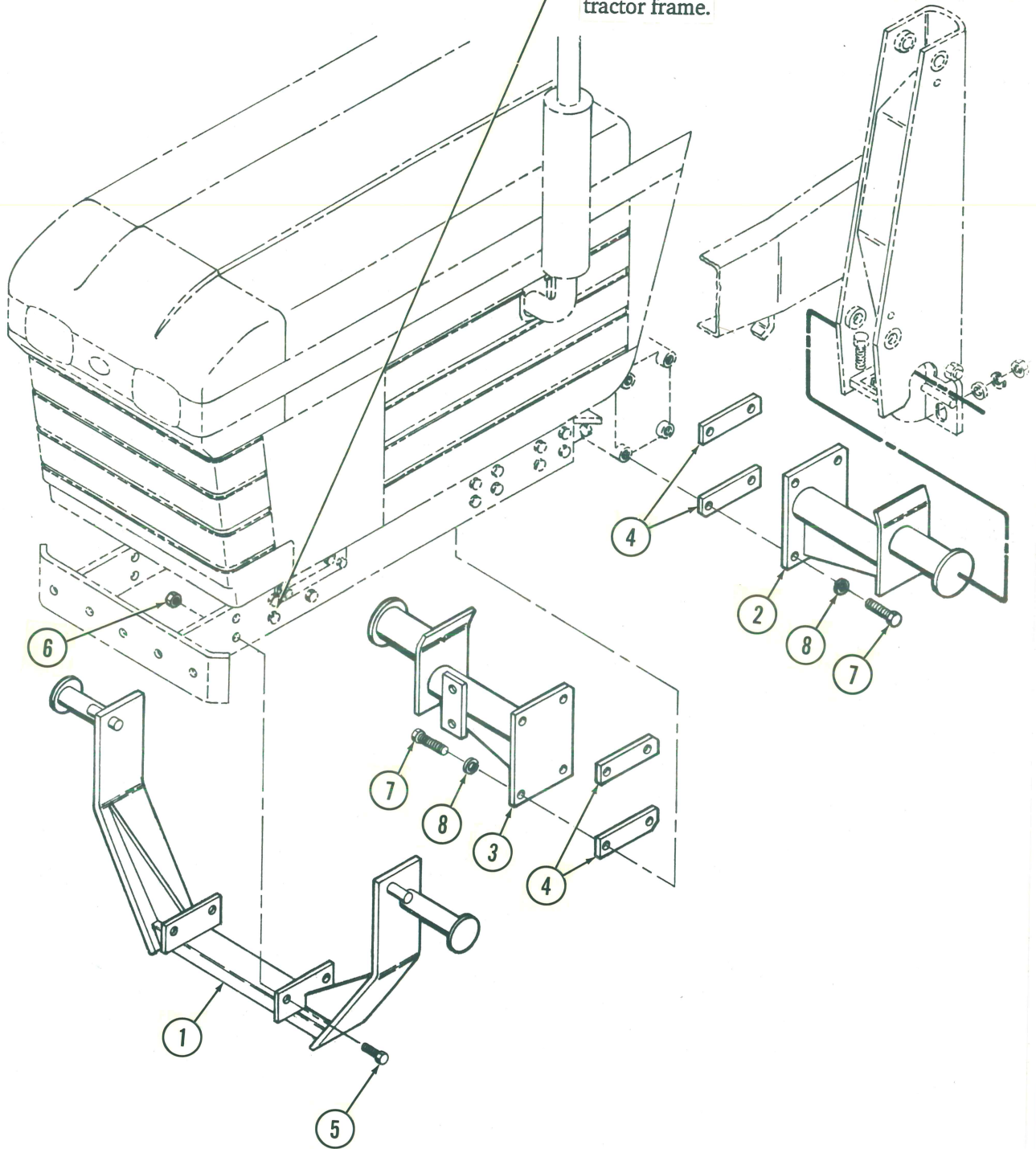


Figure 1
Installing Mounting Brackets
without Mower Deck

NOTE: For model 1720 2WD and FWA tractors, remove bolt from this location on each side of tractor frame.

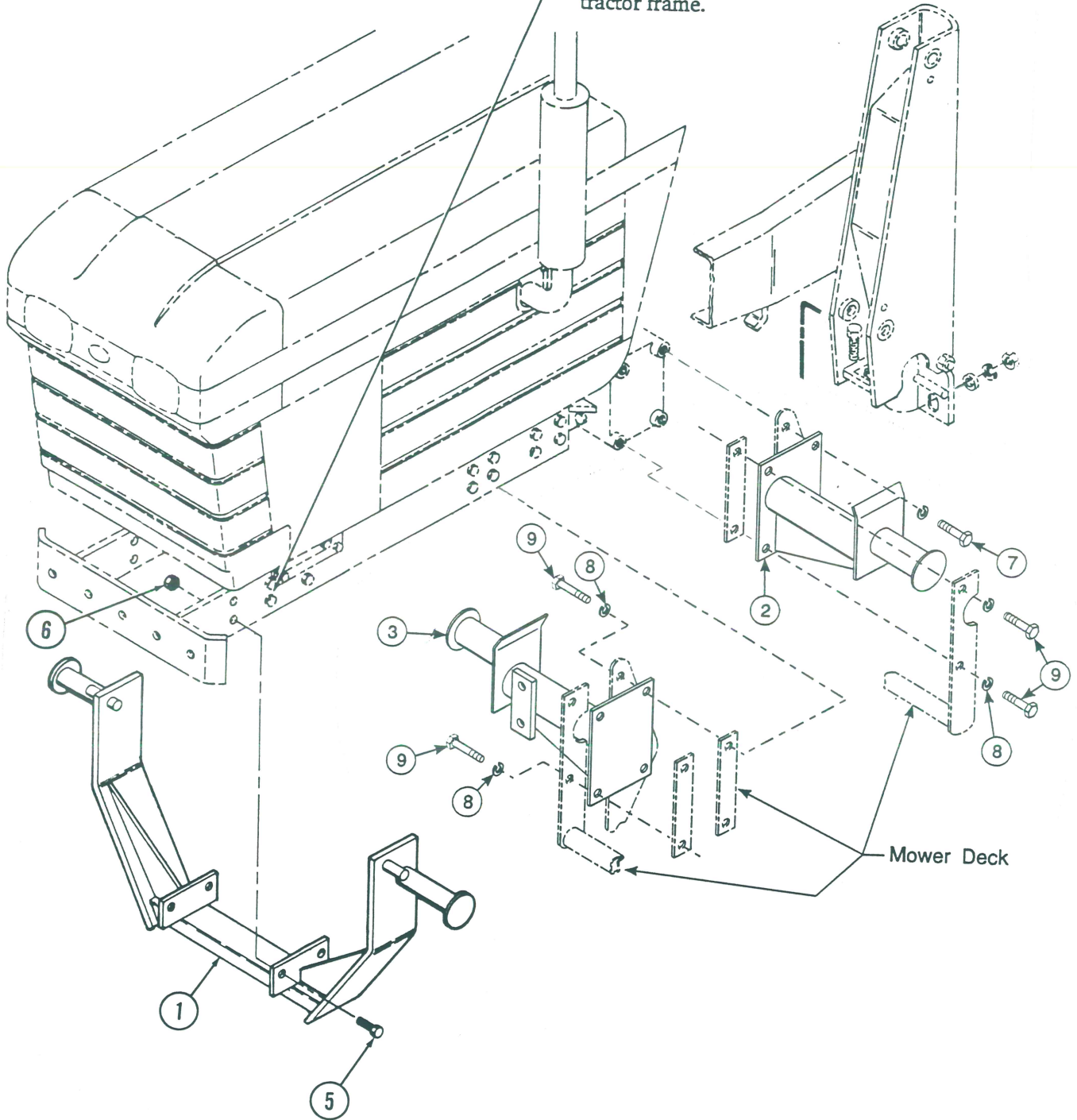


Figure 2
Installing Mounting Brackets
with Mower Deck