

**9805985**  
**BUNDLE 2-5841**  
**LOADER MOUNTING KIT INSTRUCTIONS FOR**  
**FORD 4610, 4630 & 4830 3 & 4 CYLINDER**  
**2WD TRACTORS WITHOUT CAB**

The mounting brackets can be installed using tools ordinarily available. Shut off the tractor engine and engage tractor brakes during installation.

**NOTE:** Leave all attaching hardware loose until the loader is completely assembled to facilitate assembly and proper alignment. Tighten all hardware to the torque specifications in the loader operator's manual, except 3/4 x 5-1/2 hex head cap screws (9) and lock nuts (17), which must be tightened to 125 ft.-lbs. torque.

### **INSTALLING MOUNTING BRACKETS**

**NOTE:** For tractors with front headlights mounted on the side of the tractor, remove headlights before installing loader mounting brackets.

1. Being careful not to damage the hydraulic system oil cooler, fasten left front mounting bracket (1) to the left side of tractor front casting using 3/4 x 1-1/2 cap screws (15) and lock washers (16). Use identical hardware to fasten right front mounting bracket (2) to right side of tractor front casting.

**NOTE:** Before attaching right front mounting bracket (2) to right side of tractor, note the location of the hose clamp, if present. On some tractors, the hose clamp tightening screw could possibly interfere with the mounting bracket. In this case it is a matter of loosening the hose clamp and rotating it on the hose to a position where the tightening screw does not interfere, then retightening.

2. For 30 series (e.g. Model 4630) tractors, place 1-1/2 spacers (7) between left mid mount bracket (3) and tractor transmission housing. Fasten the left mid mount bracket (3) and spacers (7) to the left side of the tractor transmission housing using 3/4 x 4-1/4 cap screws (10) and lock washers (16) in the top pair of holes, and 3/4 x 3 cap screws (12) and lock washers (16) in the bottom pair.

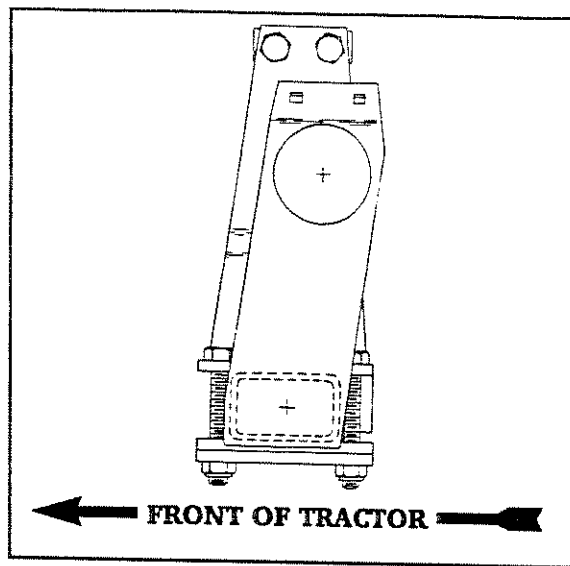
For 10 series (e.g. Models 4610) tractors do not use spacers (7 & 8), 3/4 x 4-1/4 cap screws (10), 3/4 x 3 cap screws (12) or 3/4 x 2 cap screws (14). Fasten left mid mount bracket to left side of tractor using 3/4 x 2-3/4 cap screws (13) and lock washers (16) in the top pair of holes, and 3/4 x 1-1/2 cap screws (15) and lock washers (16) in the bottom pair of holes.

3. For 30 series tractors, place 1/2 spacers (8) between the right mid mount bracket (4) and tractor transmission housing. Fasten the right mid mount bracket (4) and spacers (8) to the right side of tractor using 3/4 x 2 cap screws (14) and lock washers (16) in the top pair of holes, and 3/4 x 4-1/4 cap screws (10) and lock washers (16) in the bottom pair of holes.

For 10 series tractors, fasten right mid mount bracket (4) to right side of tractor using 3/4 x 1-1/2 cap screws (15) and lock washers (16) in the top pair of holes, and 3/4 x 3-1/2 cap screws (11) and lock washers (16) in the bottom pair of holes.

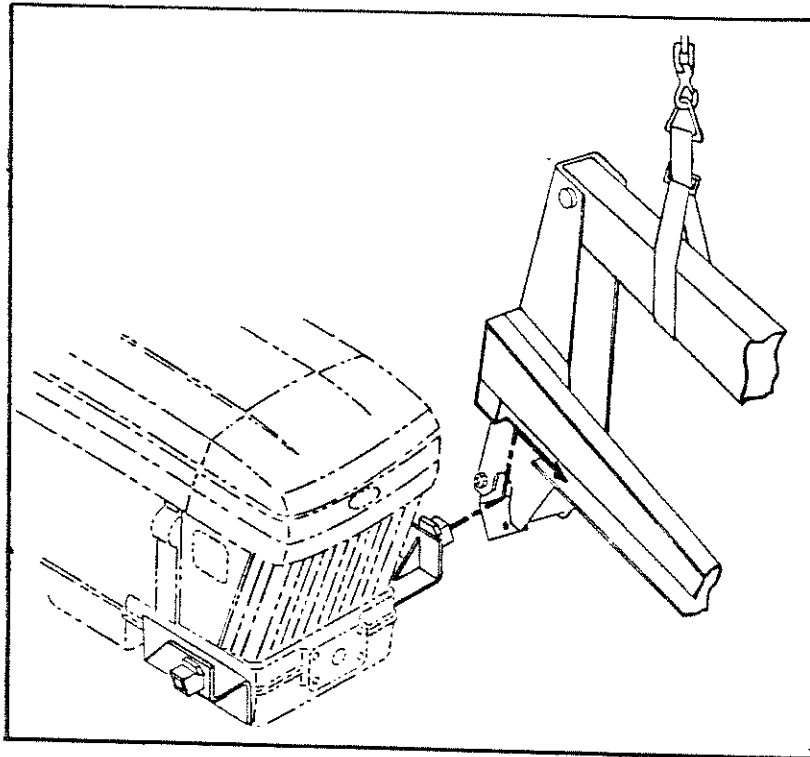
4. Elevate the mid mounting crosstie (5) to the mid mount brackets (3 & 4). Center mid mounting crosstie with the bottom pair of mounting pads on the tractor clutch housing. Fasten mid mounting crosstie to mid mount brackets (3 & 4) using 3/4 x 5-1/2 cap screws (9), crosstie clamp flats (6) and lock nuts (17).

**NOTE:** Mid mounting crosstie must be orientated such that the centers of mid mounting tubes are to the rear of rectangular crosstie tube center.



### INSTALLING LOADER TO MOUNTING BRACKETS

1. Position hinges inside of side frame uprights. Install  $3/4 \times 6$  carriage bolts and secure with lock nuts. (Carriage bolts and lock nuts are supplied with loader).
2. Attach nylon slings around the loader front bumper and use an overhead hoist to raise the loader off the pallet and lower to a horizontal position. Attach the nylon slings around the lift boom arms and use the overhead hoist to raise the loader and position the side frame channels over the front mounting brackets. Slide the loader to the rear until side frame uprights are over the mid mounting tubes..



**CAUTION:** Make sure both front mountings engage loader side frame channels thru notches provided.

## INSTALLING LOADER TO MOUNTING BRACKETS (Continued)

3. Clamp hinges around tubes of mid mounting crosstie. Fasten with 3/4 x 3 cap screws, flat washers and lock nuts (supplied with loader).
4. Refer to the loader owner's manual and plumbing kit instructions to complete the loader installation and for location of decals.

### PARTS LIST

Item	Part No.	Description	Qty.
1	39491	BRACKET, Front Mounting, Left	1
2	39492	BRACKET, Front Mounting, Right	1
3	36740	BRACKET, Mid Mount, Left	1
4	36741	BRACKET, Mid Mount, Right	1
5	39496	BRACKET, Mid Mounting Crosstie	1
6	36478	FLAT, Crosstie Clamp	1
7	36772-5	SPACER, Flat, 1-1/2 x 1-1/2 x 4-1/2 (30 Series Tractors Only)	2
8	36772-6	SPACER, Flat, 1/2 x 1-1/2 x 4-1/2 (30 Series Tractors Only)	2
9	G9429887	SCREW, Cap, 3/4-10 x 5-1/2	4
10	G271780	SCREW, Cap, 3/4-10 x 4-1/4 (30 Series Tractors Only)	4
11	G271777	SCREW, Cap, 3/4-10 x 3-1/2 (10 Series Tractors Only)	2
12	G271775	SCREW, Cap, 3/4-10 x 3 (30 Series Tractors Only)	2
13	G271774	SCREW, Cap, 3/4-10 x 2-3/4 (10 Series Tractors Only)	2
14	G271771	SCREW, Cap, 3/4-10 x 2 (30 Series Tractors Only)	2
15	G271767	SCREW, Cap, 3/4-10 x 1-1/2	12
16	G131046	WASHER, Lock, 3/4	16
17	G9414076	NUT, Lock, 3/4-10	4

