

BUNDLE 2-5898  
102QX MOUNTING KIT INSTRUCTIONS FOR  
CASE-IH MAXXUM 5120, 5130 & 5140  
2WD TRACTORS WITH OR LESS CAB

The mounting brackets can be installed using tools ordinarily available. Shut off the tractor engine and engage tractor brakes during installation.

*NOTE: Leave all attaching hardware loose until the loader is completely assembled to facilitate assembly and proper alignment. Tighten all hardware to the torque specifications in the loader operator's manual.*

**INSTALLING LOADER MOUNTING BRACKETS**

1. Fasten front mounting bracket (1) to front of tractor casting using M20 x 50 metric cap screws (8) and lock washers (11) in front holes. Use M20 x 50 metric cap screws (8), flat washers (10) and lock washers (11) in the side holes.
2. For 5120 tractors, place spacers (5) between mid mounting brackets (2 & 3) and tractor casting. Fasten mid mount brackets (2 & 3) and spacers (5) to tractor using M16 x 50 metric cap screws (9) and lock washers (11). Leave rearmost pair of holes in mounting brackets unused.

For 5130 and 5140 tractors, do not use spacers (5). Fasten mid mount brackets (2 & 3) to tractor using M16 x 50 metric cap screws (9) and lock washers (11). Leave frontmost pair of holes in mounting brackets (2 & 3) unused.

3. Elevate the mid mounting crosstie (4) to the mid mount brackets (2 & 3) and center mid mounting crosstie with the mid mount brackets (2 & 3). Fasten mid mounting crosstie to mid mount brackets (3 & 4) using 3/4 x 5-1/2 cap screws (7), crosstie clamp flats (6) and lock nuts (13).

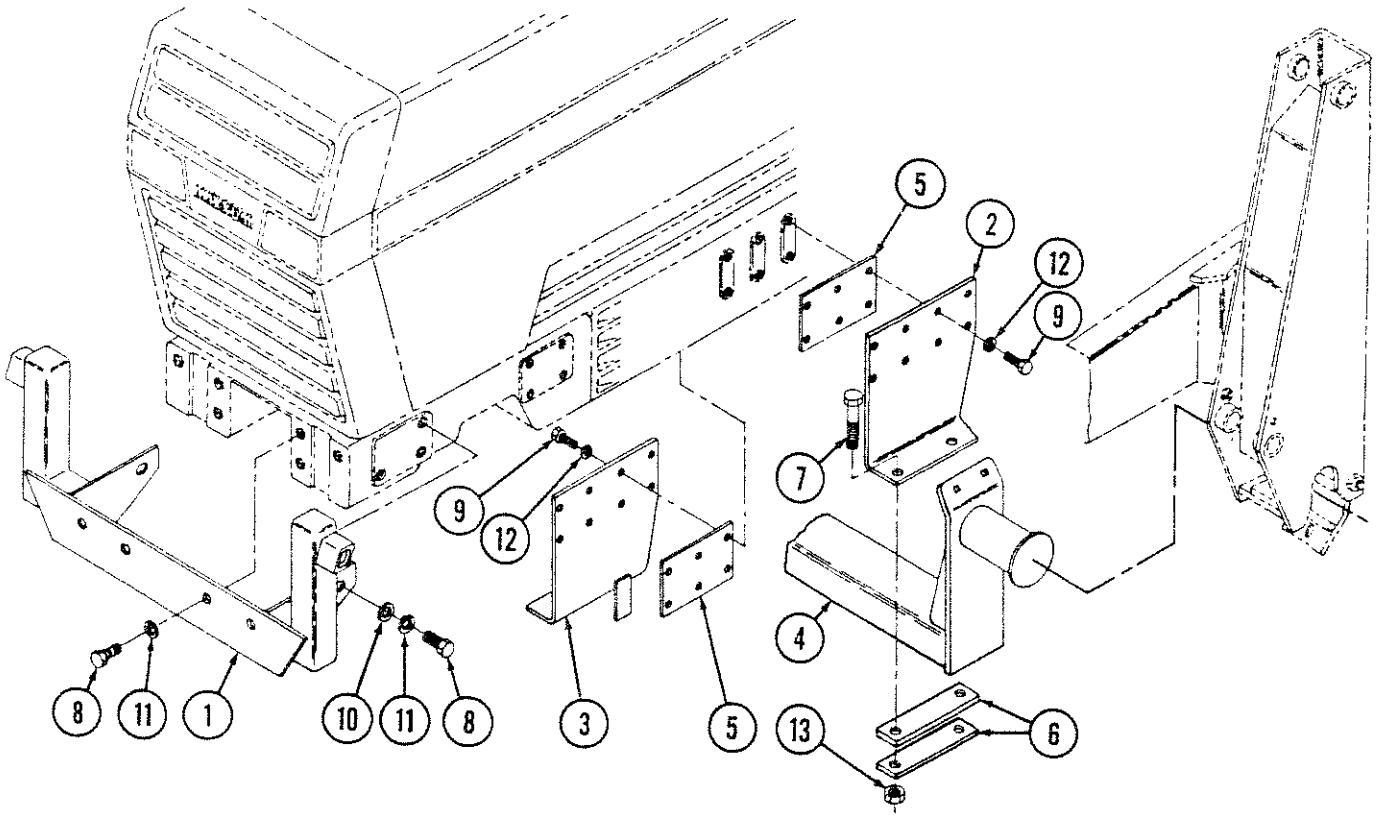
**INSTALLING LOADER ONTO MOUNTING BRACKETS**

1. Position hinges inside of side frame uprights. Install 3/4 x 6 carriage bolts and secure with lock nuts. (Carriage bolts and lock nuts are supplied with loader).
2. Attach nylon slings around the loader front bumper and use an overhead hoist to raise the loader off the pallet and lower to a horizontal position. Attach the nylon slings around the lift boom arms and use the overhead hoist to raise the loader and position the side frame channels over the front mounting brackets. Slide the loader to the rear until side frame uprights are over the mid mounting tubes.
3. Clamp hinges around tubes of mid mounting crosstie. Fasten with 3/4 x 3 cap screws, flat washers and lock nuts (supplied with loader).
4. Refer to the loader owner's manual and plumbing kit instructions to complete the loader installation and for location of decals.

## PARTS LIST

Item	Part No.	Description	Qty.
1	40115	BRACKET, Front Mounting	1
2	40109-1	BRACKET, Mid, Left	1
3	40109-2	BRACKET, Mid, Right	1
4	36681	CROSSTIE, Mid Mounting	1
5	40108	SPACER, Mid (Not Used on 5130 & 5140 Tractors)	2
6	36478	CLAMP, Flat	4
7	G9429887	SCREW, Hex Head Cap, 3/4-10 x 5-1/2	4
8	6090-107	SCREW, Metric Cap, M20-2.5 x 50, Grade 8.8	8
9	6090-14	SCREW, Metric Cap, M16-2.0 x 50, Grade 8.8	12
10	G131017	WASHER, Flat, 3/4 SAE	4
11	G11500166	WASHER, Lock, M20	8
12	G121574	WASHER, Lock, 5/8	12
13	G9414076	NUT, Lock, 3/4-10	4

Loader Mounting Bracket Locations  
For Model 5120 2WD Tractors



Loader Mounting Bracket Locations  
For Model 5130 & 5140 2WD Tractors

