

**BUNDLE 2-5964**  
**MOUNTING KIT 84Q LOADER**  
**CASE-IH 1130 & 1140 AND CUB CADET 7272, 7274 & 7275 TRACTORS**  
**COMPATIBLE W/CASE IH M160 & M172 & CUB CADET 590-404-100 72" MOWER DECKS**

This mounting kit can be installed with tools ordinarily available. The mounting kit is compatible with mid mount mower. If tractor is equipped with mower, remove center mount plates before installing loader.

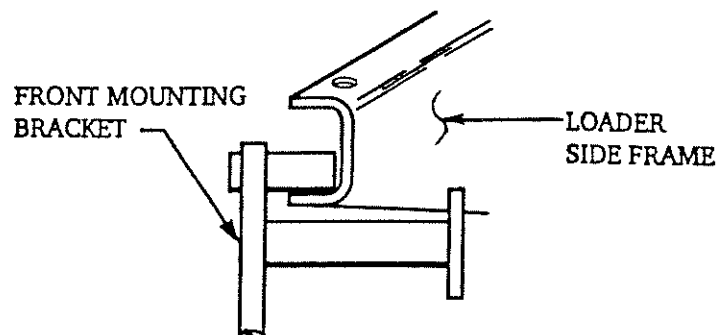
**MOUNTING KIT INSTALLATION:**

1. Fasten front mount assembly (1) to tractor with 12mm x 40mm metric cap screws (2) and lock washers (3).
2. Fasten left mid mounting (5) and right mid mounting (4) to tractor clutch housing with 14mm x 40mm metric cap screws (7) and lock washers (6).
3. Refer to Owner's Manual for procedure to install 84Q loader to mounting brackets.
4. To install Auxiliary Valve and Plumbing, refer to instructions included with that kit.

**INSTALLING LOADER TO MOUNTING BRACKETS**

1. Attach nylon slings around the loader front bumper and use an overhead hoist to support loader while removing pallet attachment brackets from loader: remove 3/8 lock nuts and shoulder bolts which secure flat brackets to loaders and remove 3/4 lock nuts and carriage bolts which secure angle brackets to loader, then remove pallet. Reinstall hardware to loader to secure pins and hinges to loader.
2. Remove 5/8 x 2-1/4 cap screws, washers and lock nuts so hinges can be opened. Lower loader to a horizontal position and attach nylon slings around the loader lift boom arms.
3. Use overhead hoist to raise loader and position the side frame channels over the front mounting bracket. Slide the loader to the rear until side frame uprights are on the mid mounting tubes.

**NOTE:** *Lower lip of side frame channel must be between front mounting tubes.*



## INSTALLING LOADER TO MOUNTING BRACKETS (Continued)

4. Clamp hinges around tubes of mid mounting crosstie. Fasten with 5/8 x 2-1/4 cap screws, flat washers, lock washers and nuts (supplied with loader).
5. Refer to loader owner's manual and plumbing kit instructions to complete loader installation and for location of decals.

### PARTS LIST

Item	Part No.	Description	Qty.
i	40833	BRACKET, Front Mounting	1
2	6090-43	SCREW, Cap, Metric, 12-1.25 x 40	4
3	G120384	WASHER, Lock, 1/2	4
4	40830	BRACKET, Mid Mounting, Right	1
5	40829	BRACKET, Mid Mounting, Left	1
6	G120898	WASHER, Lock, 9/16	8
7	6090-7	SCREW, Cap, Metric, 14-2 x 40MM	8

