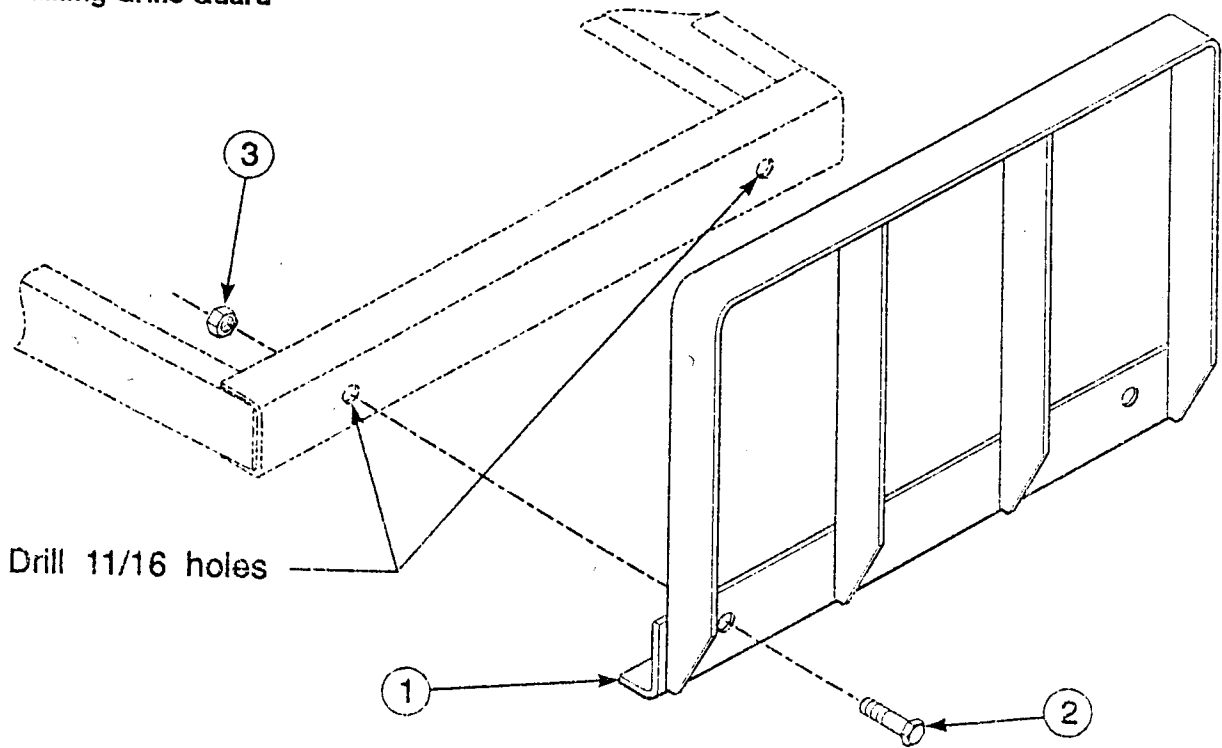


Keep With Loader Operator's Manual

GRILLE GUARD FOR 64Q AND 84Q LOADERS

Figure 1
Installing Grille Guard



Grille guard can be assembled using tools ordinarily available. Shut off tractor engine and engage brakes during installation.

2. Install grille guard (1) to loader bumper using 5/8 x 1 cap screws (2) and 5/8 lock nuts (3).

INSTALLING GRILLE GUARD (Figure 1)

1. Using grille guard (1) as a template, center guard on loader bumper, then mark and drill two 11/16 holes.

PARTS LIST - GRILLE GUARD

ITEM	PART NO.	DESCRIPTION	QTY.
1	41720	GUARD, Grille, Assembly	1
2	G271715	SCREW, Cap, 5/8-11 x 1	2
3	G9414075	NUT, Lock, 5/8-11	2