

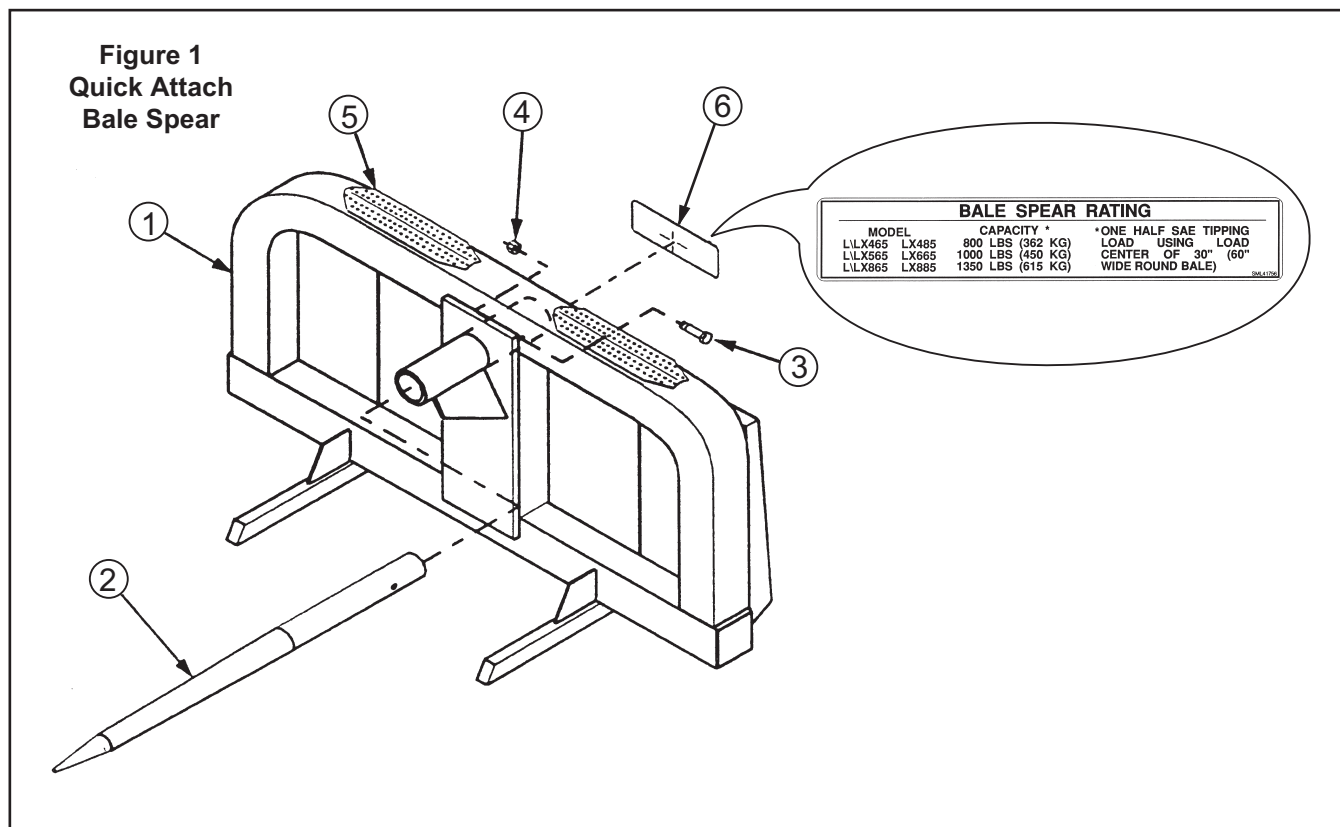
# ASSEMBLY MANUAL

715106001

Keep With Loader Operator's Manual

2-6115

## QUICK ATTACH BALE SPEAR



Bale spear can be assembled using tools ordinarily available.

### ASSEMBLING ROUND BALE SPEAR (Figure 1)

1. Remove banding which secures bale spike (2) to bale spear attachment bracket (1). Temporarily remove 1/2 x 3-1/4 cap screw (3) and lock nut (4).

2. Place spike (2) into sleeve of bale spear bracket (1). Fasten spike to bracket using 1/2 x 3-1/4 cap screw (3) and lock nut (4).



**WARNING:** Keep bales, bale spear and loader boom clear of overhead lines. Allowing loader boom or any attachment to contact overhead lines may electrify entire tractor and Kill (electrocute) operator.

### PARTS LIST - MOUNTING KIT

Item	SMC No.	NH No.	Description	Qty.
1	*	*	BRACKET, Round Bale Spear	1
2	40906	SML40906	SPIKE, Round Bale Spear	1
3	41838-1	88043	SCREW, Cap, 1/2-13 x 3-1/4	1
4	41840-5	9636698	NUT, Lock, 1/2-13	1
5	29974	SML29974	STEP, Anti Slip	2
6	41756	SML41756	DECAL, Capacity	1

\* Not sold as repair part.

# **INSTALLATION INSTRUCTIONS**