

Keep With Loader Operator's Manual

**SMC 2410  
 LOADER MOUNTING KIT INSTRUCTIONS  
 JOHN DEERE TRACTORS**

MODEL	2WD	4WD	LESS CAB	WITH CAB
2350	X	X	X	X
2450	X	X	X	X
2550	X	X	X	X
2355	X	X	X	X
2455	X	X	X	X
2555	X	X	X	X

Mounting brackets can be installed using tools ordinarily available. If tractor is so equipped, mounting step and bracket must be removed before installing mounting brackets. Discard original step mounting bracket. Retain hardware for reassembly of step.

Temporarily remove wire grills covering fan.

Check tire clearances once loader is installed and adjust tire tread width and/or turning radius if necessary. Shut off tractor engine and engage tractor brakes during installation.

**NOTE:** Leave all attaching hardware loose until mounting brackets are completely assembled to facilitate assembly and proper alignment. Tighten all hardware to torque specifications in loader operators manual.

## BUNDLE 2-6217

### INSTALLING MOUNTING BRACKETS (Figure 1)

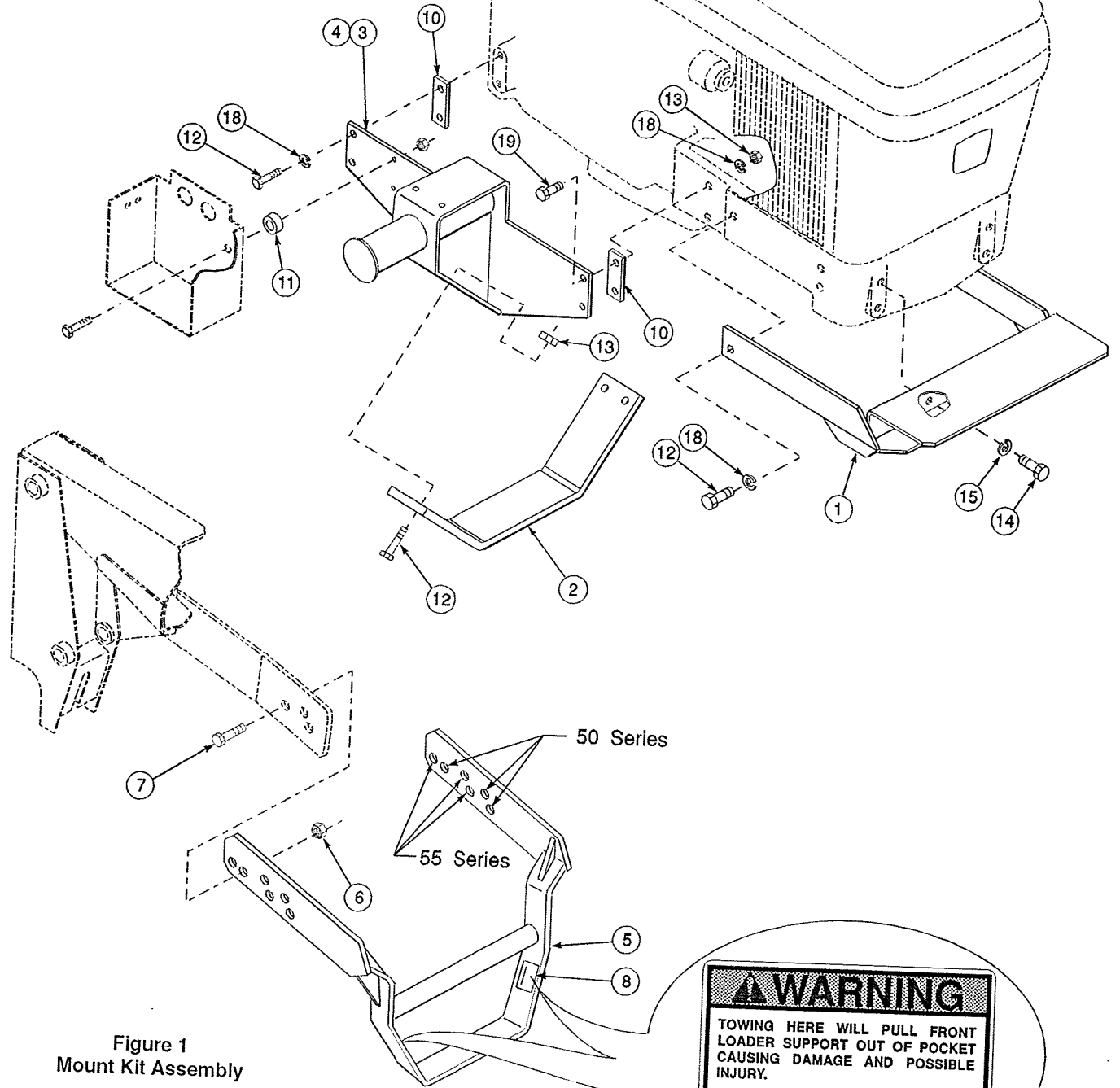
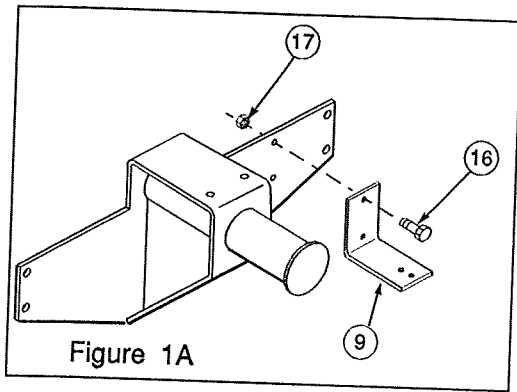
1. Install front mounting bracket (1) using 3/4 x 2 cap screws (14) and 3/4 lock washers (15) in front holes and 5/8 x 1-3/4 cap screws (12) and 5/8 lock washers (18) in side holes.
2. Remove Battery and battery box from each side of tractor.
 

**NOTE:** Tractors less cab, battery boxes may not need to be removed.

Discard original spacers used to secure battery boxes. Retain hardware for reinstalling battery boxes.
3. Remove and discard tractor frame rails and securing hardware.
4. Install left and right mid mounting brackets (3 & 4) over spacer plates (10) using 5/8 x 1-3/4 cap screws (12) and 5/8 lock washers (18) in rear holes and 5/8 x 3-3/4 cap screws (19), 5/8 lock washers (18) and 5/8 lock nuts (13) in the front holes.
5. Install crossplate (2) to left and right midmounting brackets (3 & 4) using 5/8 x 1-3/4 cap screws (12) and 5/8 lock nuts (13).
6. Install step mounting bracket (9) to left mid mounting bracket using 1/2 x 1-1/2 cap screws (16) and 1/2 lock nuts (17). Install step to step mounting bracket (9) using original hardware (Figure 1A).
7. Reinstall battery boxes using spacers (11) and original hardware. Reinstall batteries.
8. Reinstall wire grills covering fan using original hardware.

### PARTS LIST - MOUNTING KIT

ITEM	PART NO.	DESCRIPTION	QTY.
1	43300	BRACKET, Front Mounting	1
2	43292	CROSSPLATE	1
3	43290-2	BRACKET, Midmounting, Right	1
4	43290-1	BRACKET, Midmounting, Left	1
5	43298	YOKE Assembly	1
6	G9414076	NUT, Lock, 3/4-10	1
7	G271773	SCREW, Cap, 3/4-10 x 2-1/2	6
8	39240	DECAL, "WARNING, Do Not Use For Towing"	6
9	43287	ANGLE, Step	2
10	43305	SPACER, Plate	1
11	43522-1	SPACER, Tube, 5/8 x 3/8	4
12	G271548	SCREW, Cap, 5/8-11 x 1-3/4	2
13	G9414075	NUT, Lock, 5/8-11	10
14	G271771	SCREW, Cap, 3/4-10 x 2	6
15	G131046	WASHER, Lock, 3/4	4
16	G180177	SCREW, Cap, 1/2-13 x 1-1/2	4
17	G9414074	NUT, Lock, 1/2-13	2
18	G121574	WASHER, Lock, 5/8	2
19	G271730	SCREW, Cap, 5/8-11 x 3-3/4	10
			4



**WARNING**  
TOWING HERE WILL PULL FRONT  
LOADER SUPPORT OUT OF POCKET  
CAUSING DAMAGE AND POSSIBLE  
INJURY.  
**DO NOT USE FOR TOWING**

## BUNDLE 2-6217

### INSTALLING LOADER TO MOUNTING BRACKETS

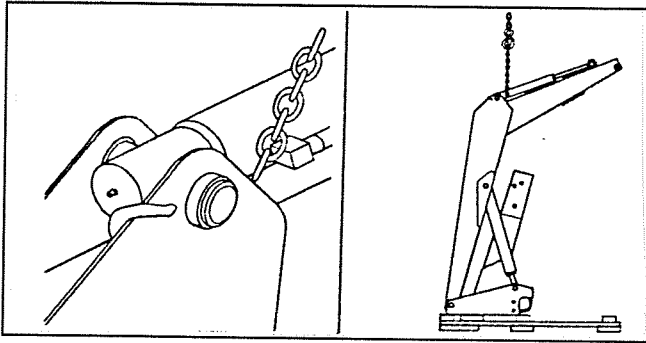


**WARNING:** To avoid injury during installation of quick attach loader, do not permit bystanders within ten feet of loader.

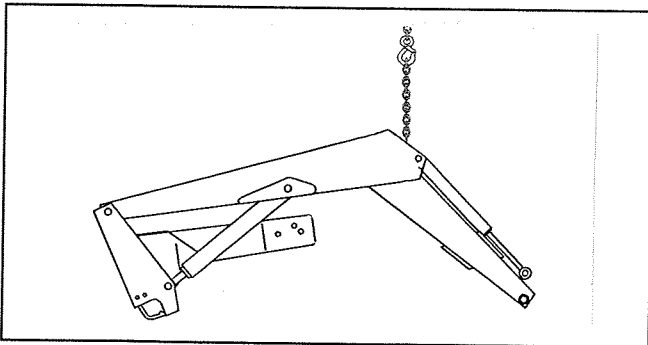
1. Loop chain under each lift cylinder and hook on loader boom arm. Using overhead hoist to support loader remove hardware securing loader to pallet. Lift loader and remove pallet.



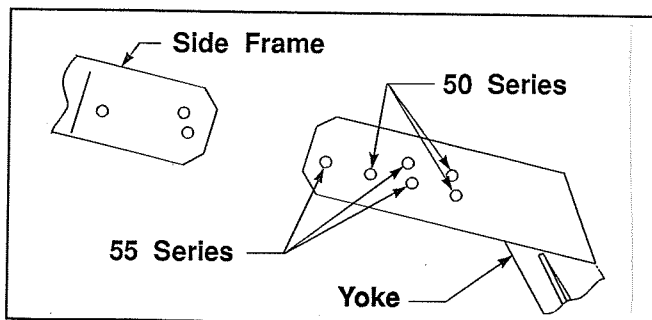
**CAUTION:** Do not damage grease fitting on end of cylinder. Be sure chain does not pinch lift cylinder hose.



2. Using overhead hoist, lower loader from vertical shipping position to horizontal position leaving enough room to install yoke (scraps of cardboard may be used to protect paint).

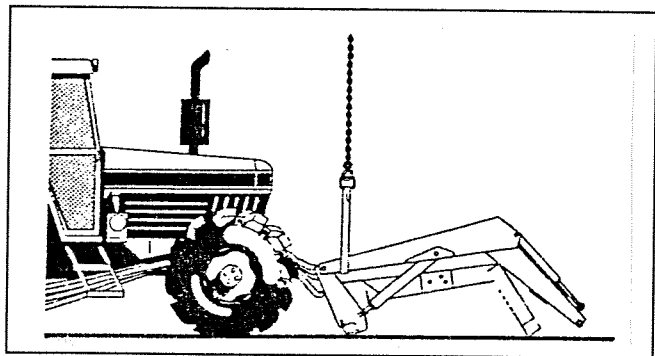
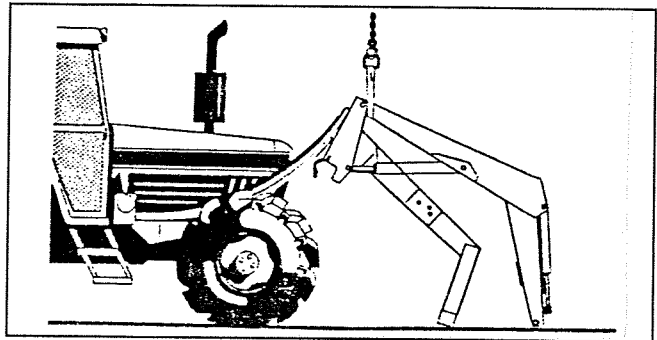


Install yoke assembly (5) using 3/4 x 2-1/2 cap screws (7) and 3/4 lock nuts (6). Lower loader completely to the ground.



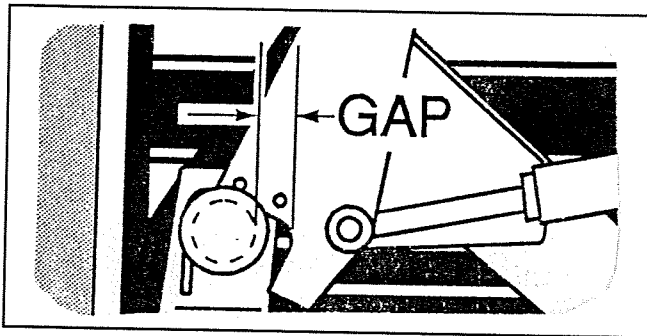
**NOTE:** Hardware connecting yoke to loader sideframes should be snug but do not torque completely. After loader has been mounted to tractor and aligned with midmounting brackets and front mounting brackets, torque hardware to specifications in loader operators manual.

3. Install hose or valve kit to tractor and loader.
4. Position tractor close enough so plumbing can be connected to tractor. Route hoses loosely to allow maximum reach. Using nylon straps reposition overhead hoist to loader boom arms near pivot point to side frames.
5. Operate loader control valve to extend lift cylinders until front yoke is resting on ground and side frame uprights will clear front tires. Shut off tractor engine and engage tractor brakes. Reroute loader hoses to inside of right midmount bracket. Remove locknut and washer from loader hinge and swing each hinge open.



6. Start tractor engine, release tractor brakes and slowly drive forward while operating lift control levers to retract lift cylinders. Position loader so hinges hook over mid mounting tubes. Use of overhead hoist will facilitate positioning loader into mid mounting tubes.

### INSTALLING LOADER TO MOUNTING BRACKETS (Continued)



**IMPORTANT:** Position loader uprights so mid mounting tubes are tight against hinges until loader has finished rotating so loader front bumper tube does not hit lower flange of front mounting channel.

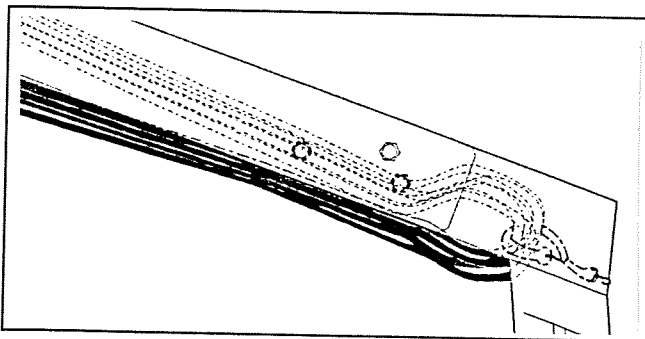
7. With tractor in neutral, retract lift cylinders, bringing side frame up so front yoke tube contacts upper flange of front mounting bracket channel. Move tractor ahead until front yoke tube engages in front mounting channel and upright hinges can clamp around mid mounting tube. Engage tractor brakes and shut off tractor engine.

8. Clamp hinges to midmounting tubes with 3/4 flat washers and 3/4 flex-lock nuts (supplied with loader).

**NOTE:** Only one washer per side is necessary for mounting. Second washer is for shipping purposes only.

**IMPORTANT:** Be sure to use flex-lock nuts to clamp hinge. Tighten flex-lock nuts against hinge securely, but not to more than 125 ft.-lb. torque.

9. Loop hoses and secure rubber strap to front mounting yoke to maintain tension on hoses.



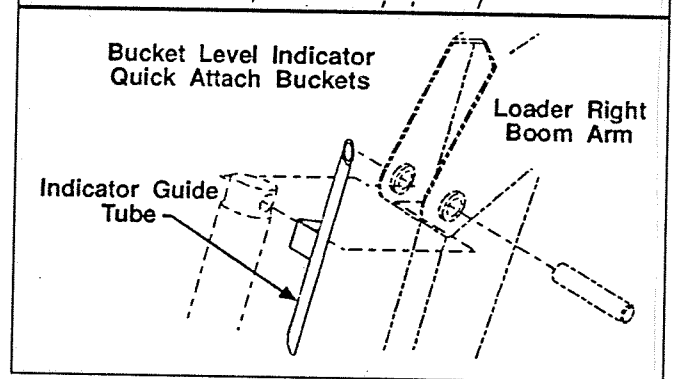
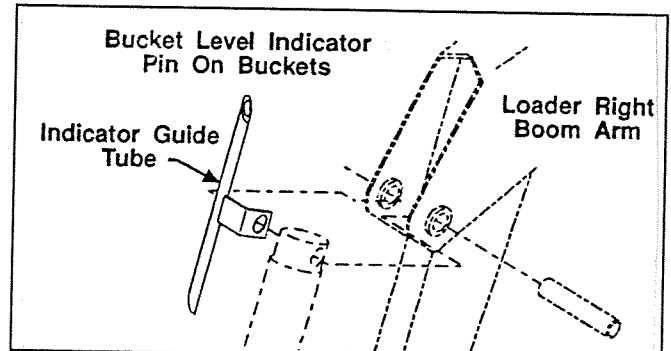
10. Adjust front wheel tread settings or steering stops, if necessary to prevent interference between tires and loader. Refer to tractor operator's manual for adjustment procedures.

### INSTALLING BUCKET OR OPTIONAL ATTACHMENT

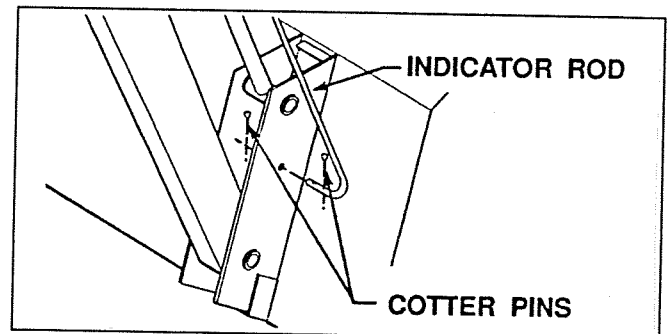
Refer to loader operator's manual for instructions on installing bucket or optional attachment.

### INSTALLING BUCKET LEVEL INDICATOR

1. Attach indicator guide tube to cylinder pin. Guide tube is positioned to outside of boom for pin on attachments and inside of boom when quick attach device is used.



2. Slide bucket level indicator rod through guide tube. Attach other end of rod with 1/8 x 1 cotter pins. If pin on bucket is used, attach lower end of rod to bucket ear. If quick attach device is used, attach lower end of rod to quick attach device.



3. Locate tractor and loader on level surface. With bottom of bucket resting on surface, cut off excess rod flush with end of guide tube or paint exposed rod a contrasting color.