

Keep With Loader Operator's Manual

LOADER MOUNTING KIT INSTRUCTIONS

MODEL	2WD	4WD	LESS CAB	WITH CAB
3230, 3430, 3930	X		X	
4630	X		X	

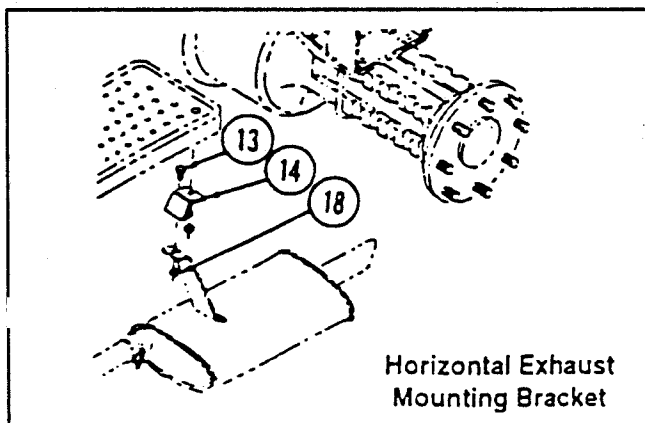
Mounting brackets can be installed using tools ordinarily available. If tractor is equipped with headlights mounted on side of tractor, front fenders or front weights and bracket, they must be removed before installing mounting brackets. For tractors equipped with a tool box, it will be necessary to relocate it to where it will not interfere with loader. Check tire clearances once loader is installed and adjust tread width if necessary. Shut off tractor engine and engage tractor brakes during installation.

NOTE: Leave all attaching hardware loose until mounting brackets are completely assembled to facilitate assembly and proper alignment. Tighten all hardware to torque specifications in loader operators manual.

NOTE: If installing optional grille guard (9862132), install grille guard and front mounting bracket at the same time.

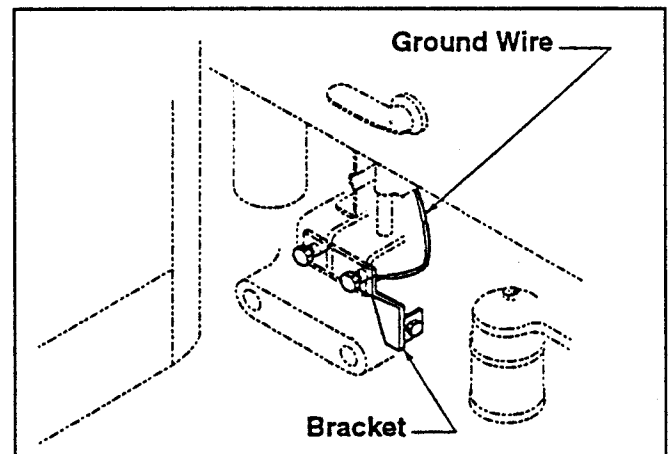
HORIZONTAL EXHAUST MOUNTING BRACKET

If tractor is equipped with horizontal exhaust, remove and retain hardware securing muffler to tractor left foot plate. Install muffler mounting extension bracket (14) with 5/16 x 3/4 cap screw (13), lock nut (18) and original hardware.



BRACKET REMOVAL

If present, remove and discard bracket under battery hinge on right side of engine. Relocate ground wire to convenient location.



INSTALLING MOUNTING BRACKETS (Figure 1)

1. Fasten front mounting bracket (1), with longer flange on top, and spacer plate (12) to tractor front casting using 3/4 x 2 cap screws (10) and 3/4 lock washers (15) in front holes.

Fasten sides of front mounting bracket to tractor front casting using 3/4 x 2 cap screws (10), 3/4 flat washers (16) and 3/4 lock washers (15). Fasten hose restraint bracket (6) at upper right side hole of tractor front casting using 3/4 x 1-1/2 cap screw (23), and 3/4 lock washer (15).

2. Fasten right mid mounting bracket (3) and spacer plate (7) to tractor transmission casting using 3/4 x

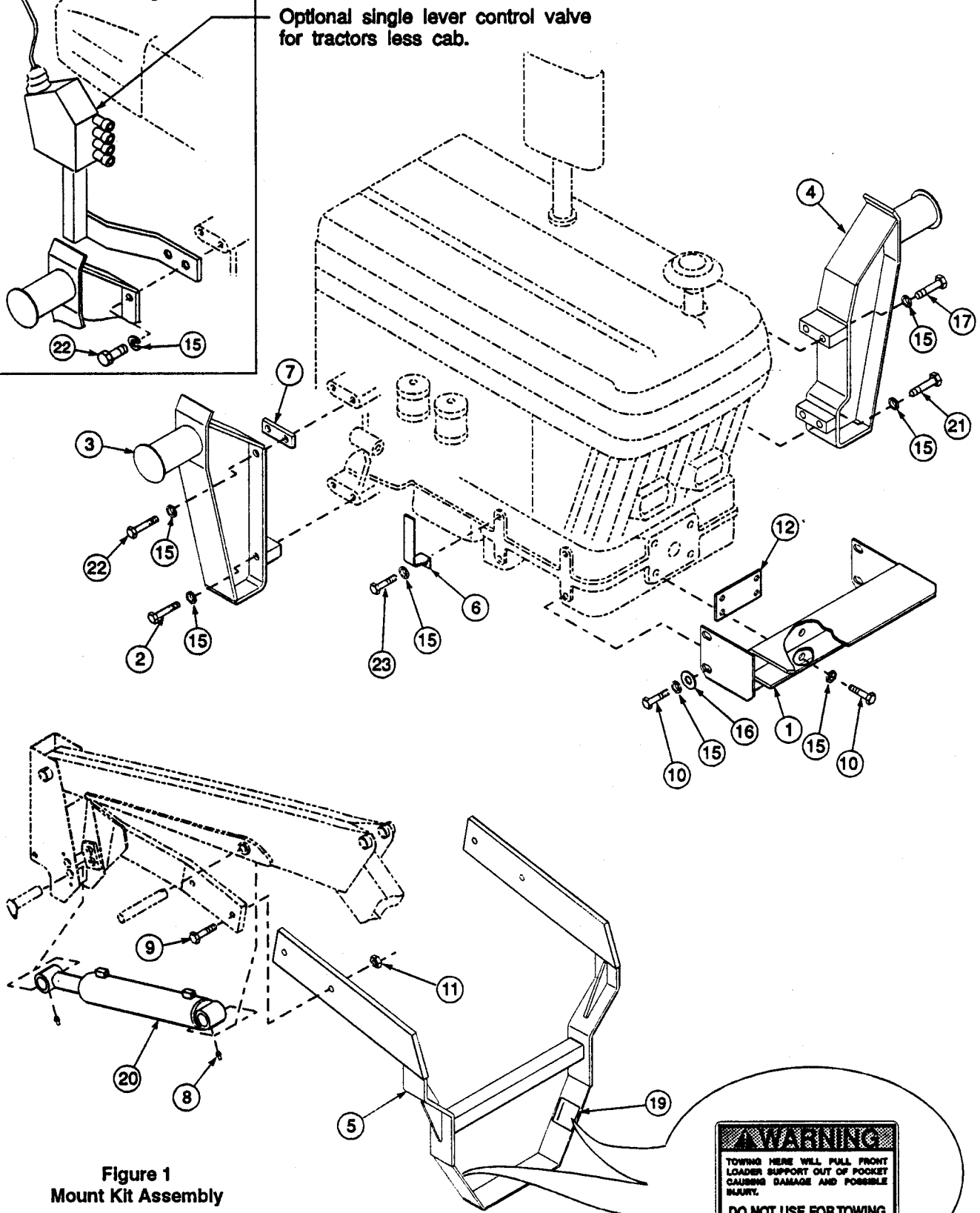
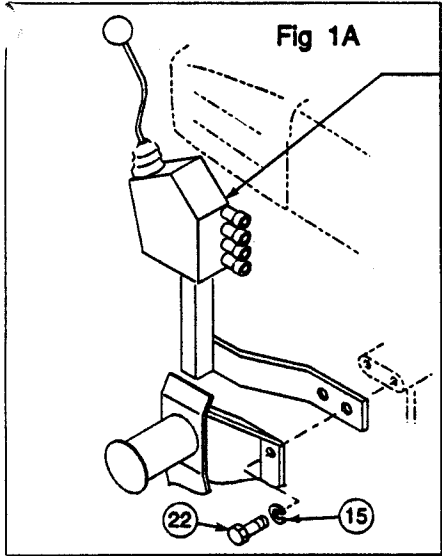
2-1/4 cap screws (22) and 3/4 lock washers (15) in top holes and 3/4 x 4 cap screws (2) and 3/4 lock washers (15) in bottom holes.

NOTE: *On tractors less cab, optional single lever control valve can be mounted between right mid mounting bracket and tractor casting. Remove flat spacer (7) and install single lever control valve in its place. (Figure 1A).*

3. Fasten left mid mounting bracket (4) to tractor transmission casting using 3/4 4 x-1/2 cap screws (17), 3/4 lock washers (15) in top holes and 3/4 3 cap screws (21) and 3/4 lock washers (15) in bottom holes.

PARTS LIST - MOUNTING KIT

ITEM	PART NO.	DESCRIPTION	QTY.
1	43119	BRACKET, Front Mounting	1
2	G271779	SCREW, Cap, 3/4-10 x 4	2
3	43126	BRACKET, Midmounting, Right	1
4	43125	BRACKET, Midmounting, Left	1
5	43120	YOKE Assembly	1
6	39482	BRACKET, Hose Restraint	1
7	36772-6	SPACER, Flat	1
8	6075-4	FITTING, Grease, 1/4-28, Straight	4
9	G271773	SCREW, Cap, 3/4 x 10 x 2-1/2	4
10	G271771	SCREW, Cap, 3/4-10 x 2	8
11	G9414076	NUT, Lock, 3/4-10	4
12	41538	SPACER	1
13	G180077	SCREW, Cap, 5/16 x 3/4	1
14	33670	BRACKET, Muffler Mounting Extension	1
15	G131046	WASHER, Lock, 3/4	17
16	G131017	WASHER, Flat, 3/4	4
17	G271781	SCREW, Cap, 3/4-10 x 4-1/2	2
18	G9413447	NUT, Lock, 5/16-18	1
19	39240	DECAL, "WARNING, Do Not Use For Towing"	2
20	43128	CYLINDER, Lift, (Code JW) 2-3/4	2
21	G271775	SCREW, Cap, 3/4-10 x 3	2
22	G271772	SCREW, Cap, 3/4-10 x 2-1/4	2
23	G271767	SCREW, Cap, 3/4-10 x 1-1/2	1



WARNING
TOWING HERE WILL PULL FRONT
LOADER SUPPORT OUT OF POCKET
CAUSING DAMAGE AND POSSIBLE
INJURY.
DO NOT USE FOR TOWING

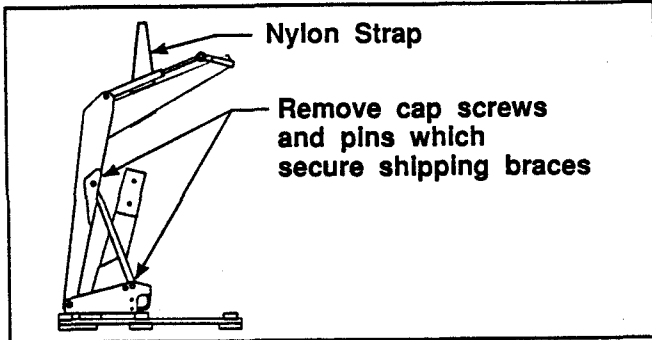
INSTALLING LIFT CYLINDERS

1. Install grease fittings (8) to base and rod ends of lift cylinders (20) with fittings pointing down.



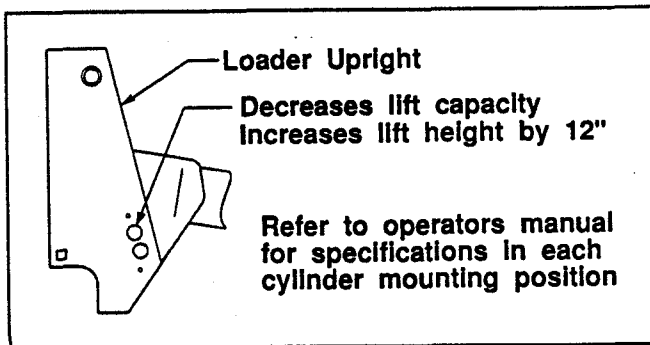
WARNING: Be sure to support loader using an overhead hoist. Installed lift cylinders will not support loader in upright position. Boom may fall causing serious personal injury.

2. Loop nylon strap around center of boom crossmember. Using overhead hoist to support loader, remove cap screws and pins which secure shipping braces.



3. Install lift cylinders (20), with base end toward front and hydraulic ports toward top, using hardware previously removed. See chart for optional cylinder placement.

NOTE: Pin rod end into loader upright first, then pin base end into loader boom.



4. Disconnect lift cylinder hoses from steel oil lines one at a time to avoid error when reconnecting.

NOTE: Lift cylinder hoses must be free to turn while they are being connected to lift cylinders.

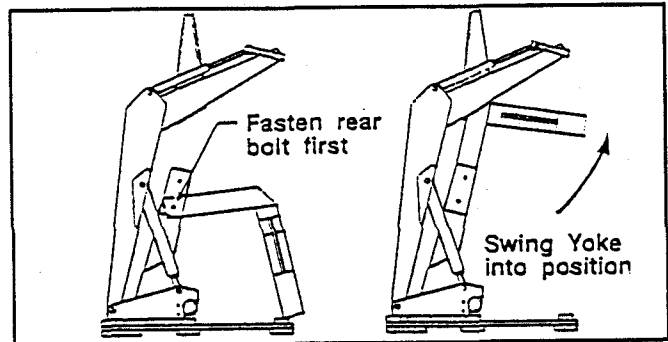
5. Connect hoses to lift cylinders. Reconnect hoses to steel oil lines.

INSTALLING LOADER TO MOUNTING BRACKETS



WARNING: To avoid injury during installation of quick attach loader, do not permit bystanders within ten feet of loader.

1. Install yoke assembly (5) using 3/4 x 2-1/2 cap screws (9) and 3/4 lock nuts (11). Install rear cap screws first and swing yoke into position, then install front cap screws.

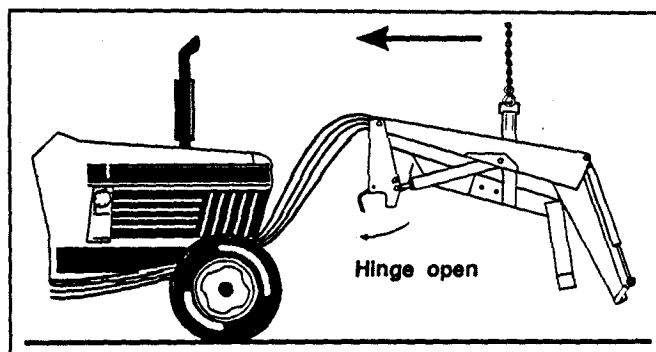
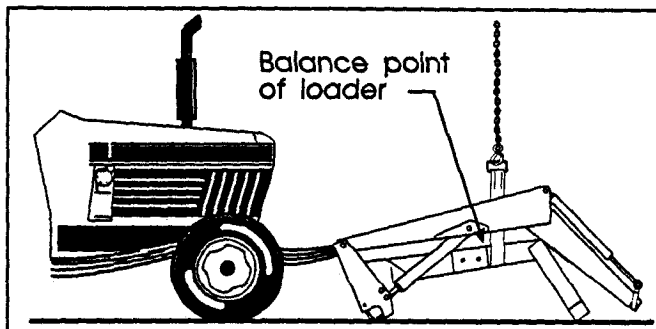


NOTE: Hardware connecting yoke to loader sideframes should be snug but do not torque completely. After loader has been mounted to tractor and aligned with midmounting brackets and front mounting brackets, torque hardware to 239-262 ft. lb.

2. Remove hardware securing loader to pallet. Using overhead hoist, lower loader from vertical shipping position to horizontal position (scraps of cardboard may be used to protect paint).
3. Install hose or valve kit to tractor and loader. Refer to assembly manual provided for installation instructions.
4. Position tractor close enough so plumbing can be connected to tractor. Shut off tractor engine and engage tractor brakes. Route hoses loosely to allow maximum reach. Reposition overhead hoist by looping nylon strap around yoke near loader side frames at balance point of loader.

INSTALLING LOADER TO MOUNTING BRACKETS (Continued)

5. Using overhead hoist, raise loader until side frame uprights will clear front tires. Remove locknut and washer from loader hinge and swing each hinge open.

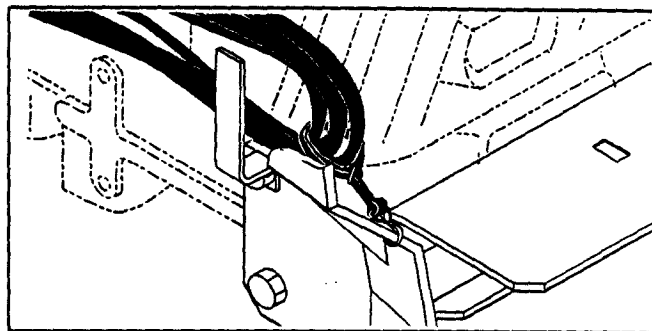


6. Position loader so hinges hook over mid mounting tubes and yoke tube fits inside front mounting bracket.

7. Clamp hinges to midmounting tubes with 3/4 flat washers and 3/4 flex-lock nuts (supplied with loader).

IMPORTANT: Be sure to use flex-lock nuts to clamp hinge. Tighten flex-lock nuts against hinge securely, but not to more than 125 ft.-lb. torque.

8. Loop hoses behind hose bracket on front mounting bracket and secure rubber strap to yoke to maintain tension on hoses.



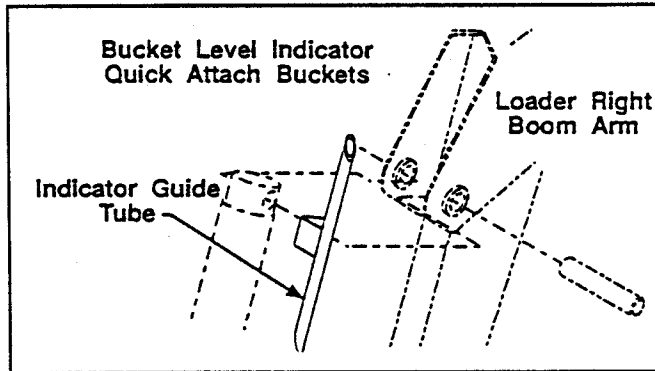
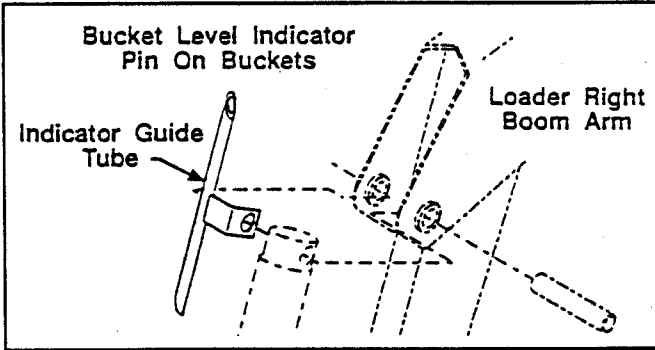
9. Adjust front wheel tread settings or steering stops, if necessary to prevent interference between tires and loader. Refer to tractor operator's manual for adjustment procedures.

INSTALLING BUCKET OR OPTIONAL ATTACHMENT

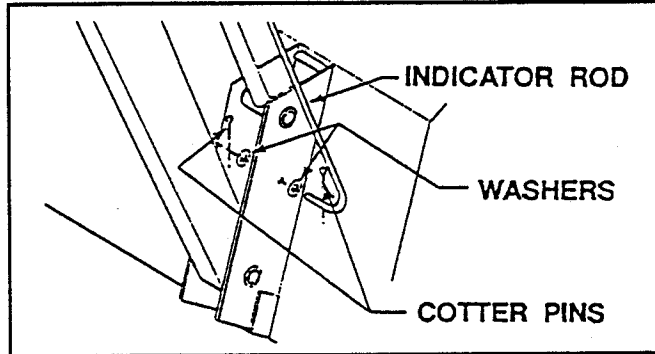
Refer to loader operator's manual for instructions on installing bucket or optional attachment.

INSTALLING BUCKET LEVEL INDICATOR

1. Attach indicator guide tube to cylinder pin. Guide tube is positioned to outside of boom for pin on attachments and inside of boom when quick attach device is used.



2. Slide bucket level indicator rod through guide tube. Attach other end of rod with 1/8 x 1 cotter pins and 3/8 flat washers. If pin on bucket is used, attach lower end of rod to bucket ear. If quick attach device is used, attach lower end of rod to quick attach device.



3. Locate tractor and loader on level surface. With bottom of bucket resting on surface, cut off excess rod flush with end of guide tube or paint exposed rod a contrasting color.