

Keep With Loader Operator's Manual
------------------------------------

---

NEW HOLLAND 7309  
SMC 2491  
**LOADER MOUNTING KIT INSTRUCTIONS**  
**NEW HOLLAND TRACTORS**

MODEL	2WD	4WD	LESS CAB	SOFT CAB
2120	X	X	X	X

Mount kit compatible with vertical exhaust only.

---

Mounting brackets can be installed using tools ordinarily available. Check tire clearances once loader is installed and adjust tread width if necessary. Shut off tractor engine and engage tractor brakes during installation.

**NOTE:** Leave all attaching hardware loose until mounting brackets are completely assembled to facilitate assembly and proper alignment. Tighten all hardware to torque specifications in loader operators manual.

**NOTE:** If installing optional grille guard (9862881), install grille guard and front mounting bracket at the same time.

#### INSTALLING MOUNTING BRACKETS (Figure 1)

1. Remove and discard hardware securing front coupler bracket to tractor frame.
2. Install front mounting bracket (1), front spacer (10) and front coupler bracket to tractor frame using 1/2 x 2-1/2 cap screws (9) and 1/2 lock nuts (13).
3. Remove four 16MM cap screws securing valve bracket to mounting pad on right side of tractor. Remove two 14MM cap screws located 4-3/4" (121MM) from rear of tractor frame (Figure 1).
4. With valve bracket sandwiched in between, fasten right mid mounting bracket (2) to tractor casting using 16MM x 50MM cap screws (6) and 5/8 lock washers (15) in rear four holes and 14MM x 110MM cap screws (5) and 9/16 lock washers (14) in front two holes.
5. Fasten left mid mounting bracket (3) and spacer plate (7) to tractor casting using 16MM x 45MM cap screws (6) and 5/8 lock washers (15) in rear four holes and 14MM x 110MM cap screws (5) and 9/16 lock washers (14) in front two holes.

**NOTE:** Torque 14MM cap screws to 85-103 ft. lb.

## PARTS LIST - MOUNTING KIT

ITEM	PART NO.	DESCRIPTION	QTY.
1	43122	BRACKET, Front Mounting	1
2	43241-2	BRACKET, Midmounting, Right	1
3	43241-1	BRACKET, Midmounting, Left	1
4	43123	YOKE Assembly	1
5	6090-109	SCREW, Cap, Metric, 14MM - 1.5MM x 110MM	4
6	6090-14	SCREW, Cap, Metric, 16MM - 2MM x 50MM	8
7	43124	SPACER, Flat	1
8	6075-4	FITTING, Grease, 1/4-28, Straight	4
9	G180185	SCREW, Cap, 1/2-13 x 2-1/2	7
10	39068-3	SPACER	1
11	G271773	SCREW, Cap, 3/4-10 x 2-1/2	4
12	G9414076	NUT, Lock, 3/4-10	4
13	G9414074	NUT, Lock, 1/2-13	7
14	G120898	WASHER, Lock, 9/16	4
15	G121574	WASHER, Lock, 5/8	8
16	39240	DECAL, "WARNING, Do Not Use For Towing"	2
17	43129	CYLINDER, Lift, (Code JX) 2-3/8	2

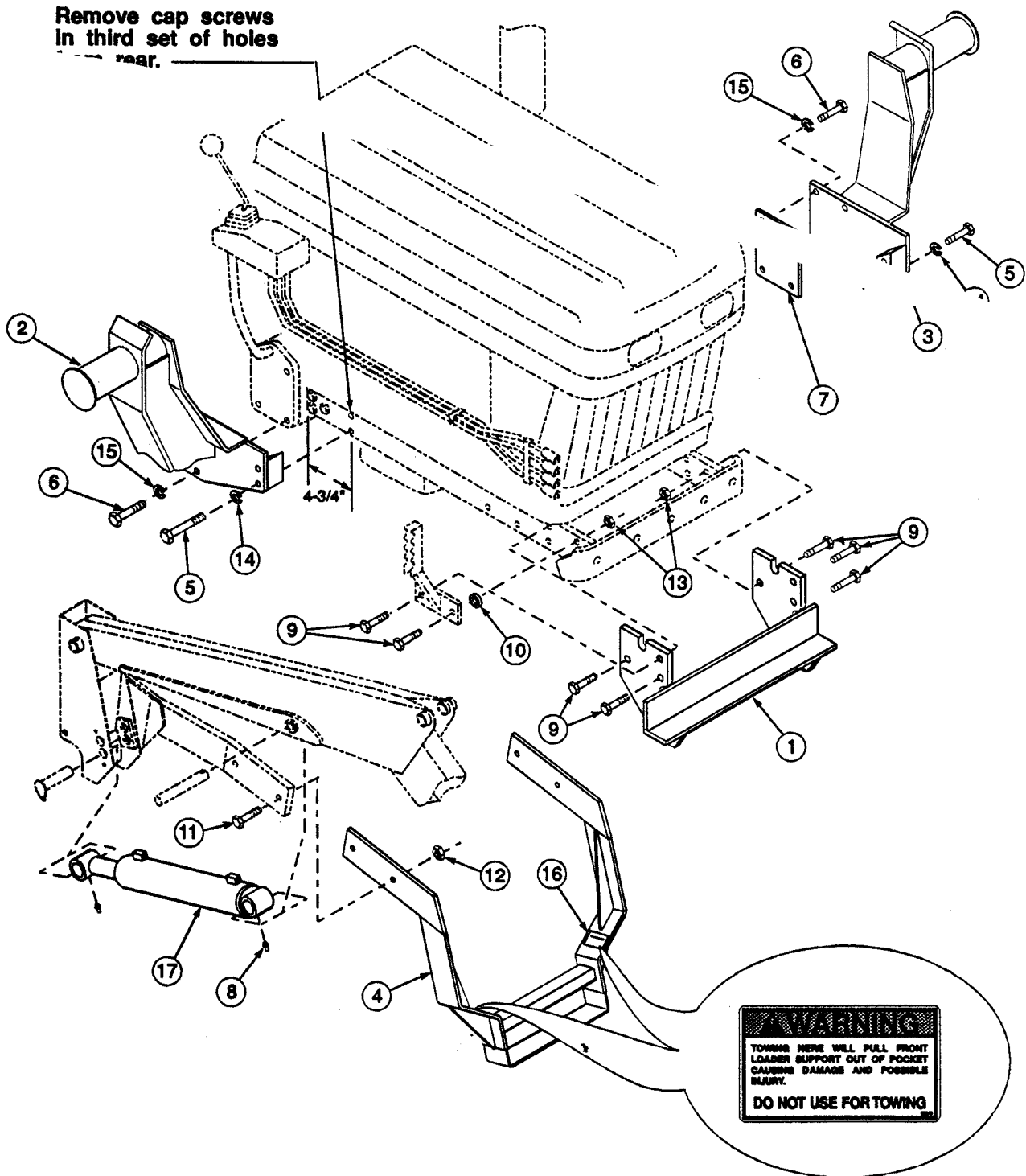


Figure 1  
Mount Kit Assembly

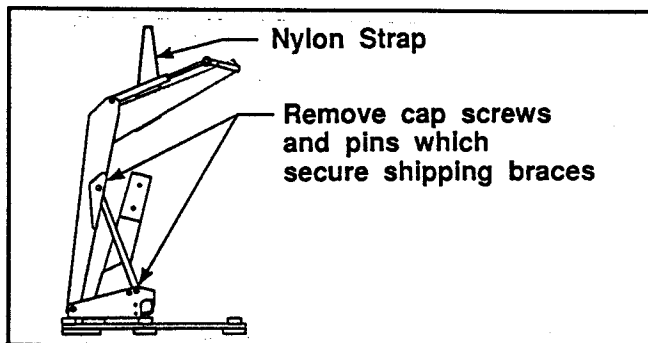
## INSTALLING LIFT CYLINDERS

1. Install grease fittings (8) to base and rod ends of lift cylinders (17) with fittings pointing down.



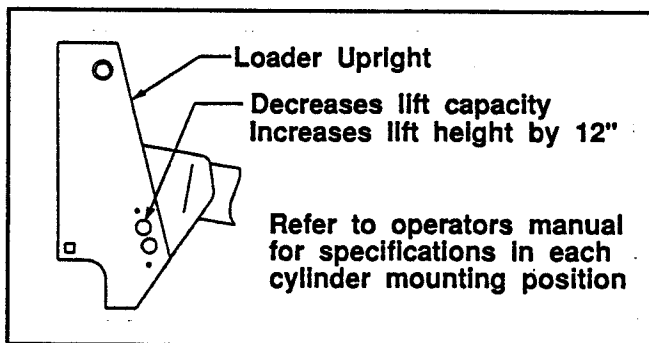
**WARNING:** Be sure to support loader using an overhead hoist. Installed lift cylinders will not support loader in upright position. Boom may fall causing serious personal injury.

2. Loop nylon strap around center of boom crossmember. Using overhead hoist to support loader, remove cap screws and pins which secure shipping braces.



3. Install lift cylinders (17), with base end toward boom and hydraulic ports toward top, using hardware previously removed. See chart for optional cylinder placement.

**NOTE:** Pin rod end into loader upright first, then pin base end into loader boom.



4. Disconnect lift cylinder hoses one at a time from steel oil lines to avoid error when reconnecting.

**NOTE:** Lift cylinder hoses must be free to turn while they are being connected to lift cylinders.

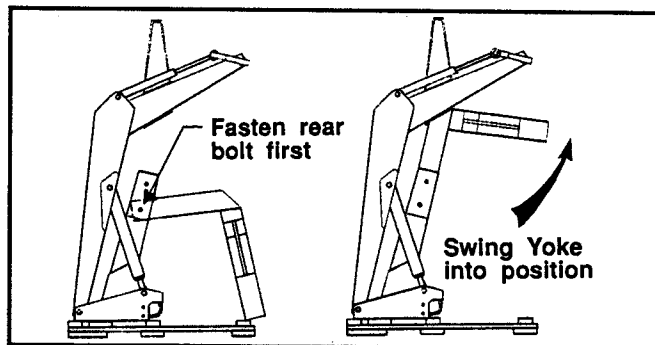
5. Connect hoses to lift cylinders. Reconnect hoses to steel oil lines.

## INSTALLING LOADER TO MOUNTING BRACKETS



**WARNING:** To avoid injury during installation of quick attach loader, do not permit bystanders within ten feet of loader.

1. Install yoke assembly (4) using 3/4 x 2-1/2 cap screws (11) and 3/4 lock nuts (12). Install rear cap screws first and swing yoke into position, then install front cap screws.

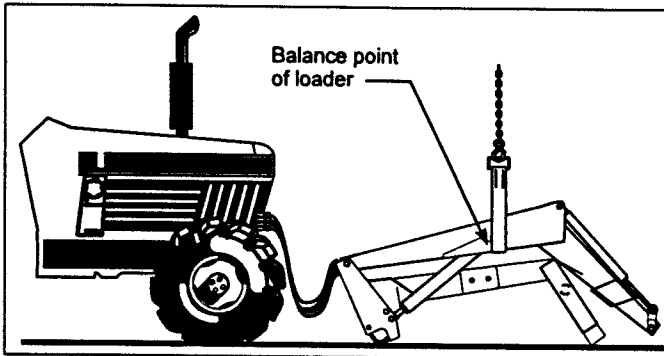


**NOTE:** Hardware connecting yoke to loader side-frames should be snug but do not torque completely. After loader has been mounted to tractor and aligned with midmounting brackets and front mounting brackets, torque hardware to 239-262 ft. lb.

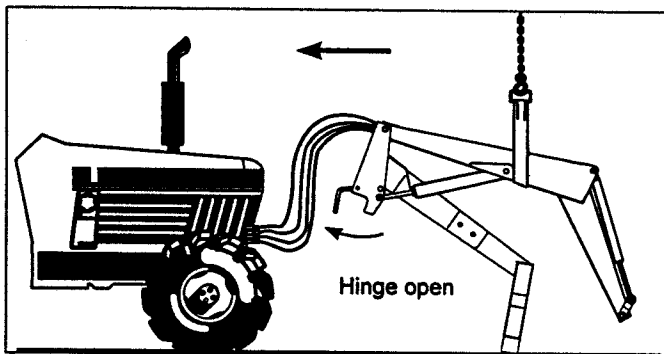
2. Remove hardware securing loader to pallet. Using overhead hoist, lower loader from vertical shipping position to horizontal position (scraps of cardboard may be used to protect paint).
3. Install hose or valve kit to tractor and loader. Refer to assembly manual provided for installation instructions.
4. Position tractor close enough so plumbing can be connected to tractor. Shut off tractor engine and engage tractor brakes. Route hoses loosely to allow maximum reach. Reposition overhead hoist by looping nylon straps around boom near lift cylinders at balance point of loader.

## INSTALLING LOADER TO MOUNTING BRACKETS (Continued)

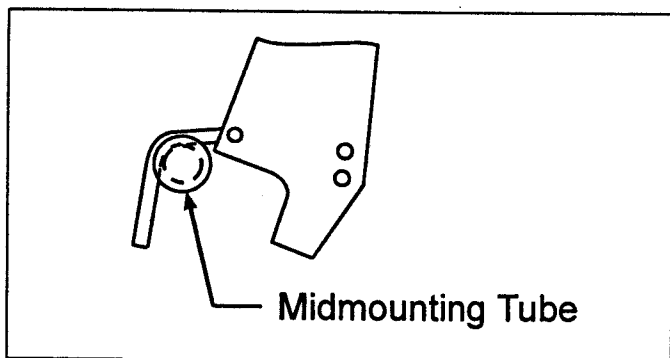
5. Using overhead hoist, raise loader until side frame uprights will clear front tires. Remove locknut and washer from loader hinges and swing each hinge open.



6. Allow yoke to drop to ground, or if necessary, activate lift cylinders to move yoke to ground.



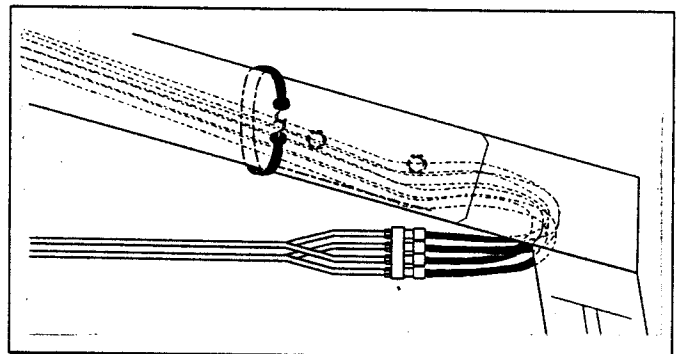
7. Using overhead hoist, position loader so hinges hook over midmounting tubes.



8. Activate lift cylinders to raise yoke until it touches tractor frame.
9. Slide loader back until side frames seat on midmounting tubes and yoke seats in front mounting bracket.
10. Clamp hinges using 3/4 flat washers and 3/4 flex-lock nuts (provided).

**IMPORTANT:** Be sure to use flex-lock nuts to clamp hinge. Tighten flex-lock nuts against hinge securely but not more than 125 ft. Lb.

11. Secure hoses behind loader side frame using rubber strap.



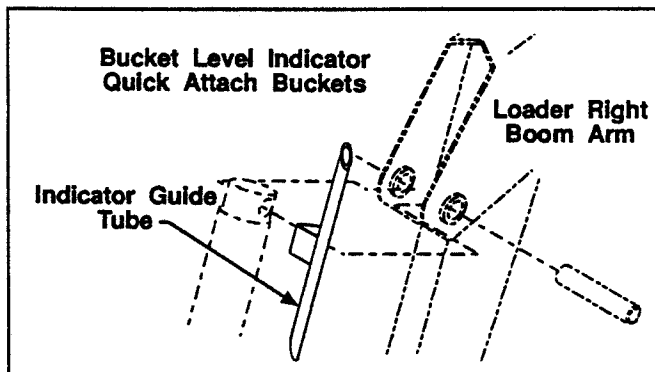
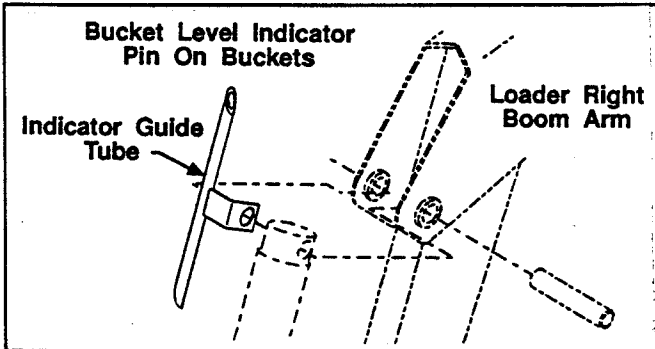
12. Adjust front wheel tread settings or steering stops, if necessary to prevent interference between tires and loader. Refer to tractor operator's manual for adjustment procedures.

**INSTALLING BUCKET OR OPTIONAL ATTACHMENT**

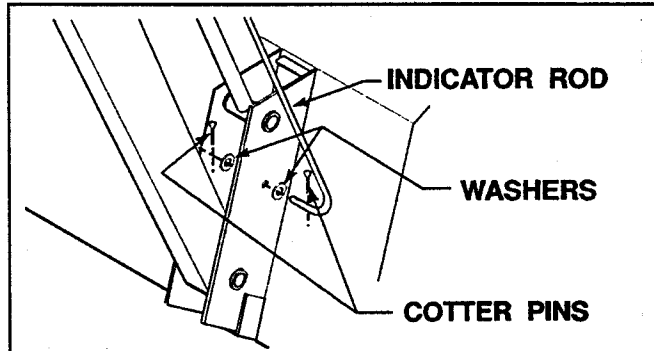
Refer to loader operator's manual for instructions on installing bucket or optional attachment.

**INSTALLING BUCKET LEVEL INDICATOR**

1. Attach indicator guide tube to cylinder pin. Guide tube is positioned to outside of boom for pin on attachments and inside of boom when quick attach device is used.



2. Slide bucket level indicator rod through guide tube. Attach other end of rod with 1/8 x 1 cotter pins and 3/8 flatwashers. If pin on bucket is used, attach lower end of rod to bucket ear. If quick attach device is used, attach lower end of rod to quick attach device.



3. Locate tractor and loader on level surface. With bottom of bucket resting on surface, cut off excess rod flush with end of guide tube or paint exposed rod a contrasting color.