

Keep With Loader Operator's Manual

QUICK ATTACH ADAPTER NEW HOLLAND L783 & L785 SKID STEER LOADERS

Quick attach adapter can be installed using tools ordinarily available.

INSTALLING QUICK ATTACH ADAPTER

1. Remove pins connecting existing quick attach device to bucket cylinders and loader boom arms. Remove device from skid steer loader. Retain pins and hardware for installation of quick attach adapter.
2. Position quick attach adapter in place on loader boom arms. Using original pins and hardware install quick attach adapter to loader boom arm and loader bucket cylinders.

ATTACHING QUICK ATTACH BUCKETS

1. Locate skid steer loader and bucket on firm level ground. Lower boom to three inches off the ground.
2. Disengage latch pins by lifting handles to vertical position.
3. Extend bucket cylinders slightly. Making sure quick attach adapter is parallel to bucket, drive ahead slowly until quick attach adapter touches bucket just below attachment channel.

4. Raise loader boom while activating bucket cylinder to curl quick attach adapter into position on bucket. Moving skid steer loader forward will assist in engagement.
5. When quick attach adapter has fully engaged bucket, latch engagement pins by lowering handles to horizontal position.

NOTE: *If bucket is not securely latched, follow instructions for detaching bucket and repeat above procedure.*

DETACHING QUICK ATTACH BUCKETS

1. Locate skid steer loader on firm level ground.
2. Lower boom arms until level bucket is 3 inches above ground.
3. Disengage latch pins by lifting handles to vertical position.
4. Start engine, release brakes and extend bucket cylinders while slowly backing away from bucket until quick attach adapter disengages from bucket.

INSTALLATION INSTRUCTIONS

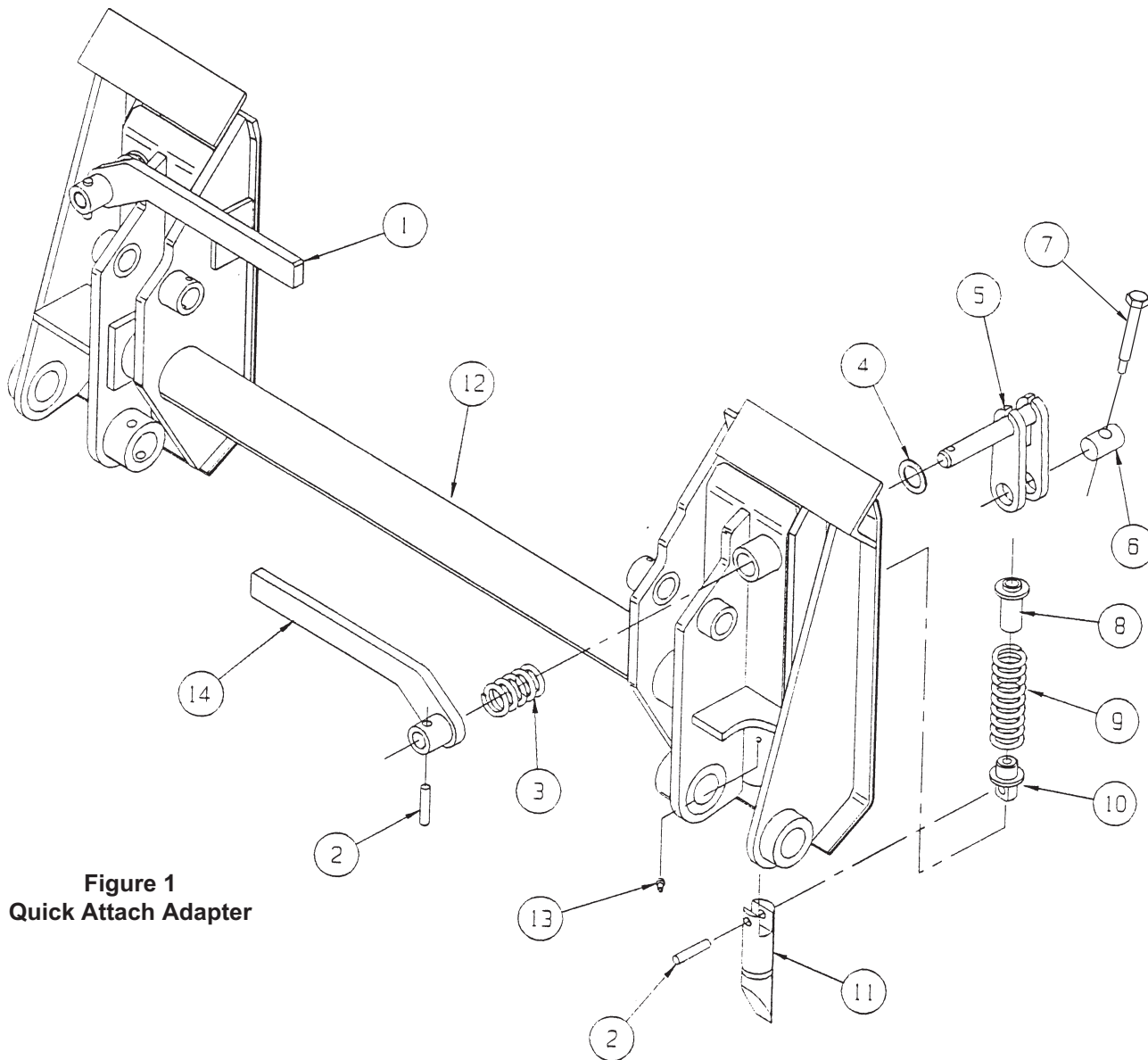


Figure 1
Quick Attach Adapter

PARTS LIST - QUICK ATTACH ADAPTER

Item	SMC No.	NH No.	Description	Qty.
1	43535-1	86604773	HANDLE, Left	1
2	6088-1	86616372	PIN, Groove	4
3	6043-25	86604775	SPRING	2
4	6120-15	86582378	BUSHING, 1"	2
5	43530	86604777	PIVOT ASSEMBLY	2
6	43499	9829733	PIN, Pivot Connector	2
7	49827	86506112	CAP SCREW, Adjustment	2
8	43501	86610166	GUIDE, Spring	2
9	43538	86610167	SPRING	2
10	43502	86510869	CONNECTOR, Latch Pin	2
11	43498	86575348	PIN, Latch	2
12			FRAME, Adapter (Not available as Repair Part)	1
13	6075-4	87414	FITTING, Grease, 1/4-28	2
14	43535-2	86604774	HANDLE, Right	1