
**PIN ON
PALLET FORK
NEW HOLLAND 7210, 7309, 7310 & 7410HD LOADERS
ALAMO SMC & RHINO 2491, 2410, 102QX & 104QX LOADERS**

ASSEMBLING PALLET FORK

Remove existing attachment from loader. Refer to loader owner's manual for detaching and attaching instructions.

1. Position tractor and loader on smooth hard surface. Using overhead hoist, attach pallet fork frame to loader.
2. Lower pallet fork frame to ground. Remove shafts (5) from pallet fork frame.
3. Install tines (4) to pallet fork frame (1) using shafts (5), bushings (8), 5/16 x 2 cap screws (2) and 5/16 lock nuts (3).

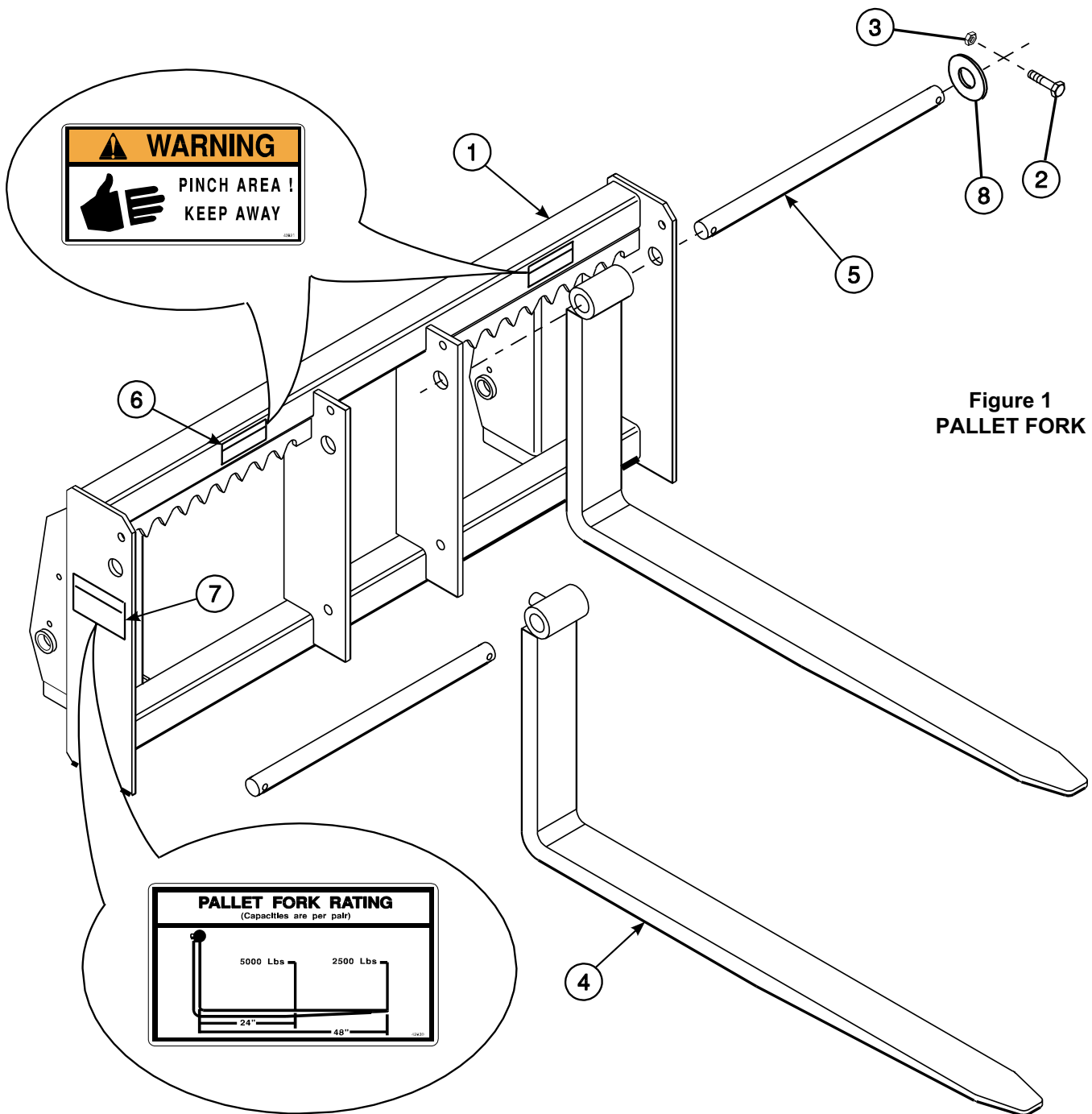
NOTE: *If installing optional rollback protector, install tines and rollback protector at same time.*



WARNING: *Do not weld to pallet fork tines. Tines are high carbon steel and may break under load after being welded, causing serious injury or death.*

PARTS LIST - PALLET FORK

Item	Part No.	NH No.	Description	Qty.
1	43840	SML43840	RAME, Pallet Fork	1
2	41838-28	280649	SCREW, Cap, 5/16-18 x 2	4
3	41840-2	87382	NUT, Lock, 5/16-18	4
4	45583	SML45583	TINE, Pallet Fork	2
5	43836-1	SML43821	SHAFT, Tine	2
6	43821	SML43821	DECAL, Warning: Pinch Area	2
7	43830	SML43830	DECAL, Pallet Fork Rating	2
8	42502-18	SML4250218	WASHER, Flat, 1-3/8	4



INSTALLATION INSTRUCTIONS