

715759001 72"
 715759006 72"
 715760001 84"
 715760006 84"

ASSEMBLY MANUAL

Keep With Loader Operator's Manual

2-6296
 2-7023
 2-6297
 2-7024

PIN ON MATERIAL BUCKETS

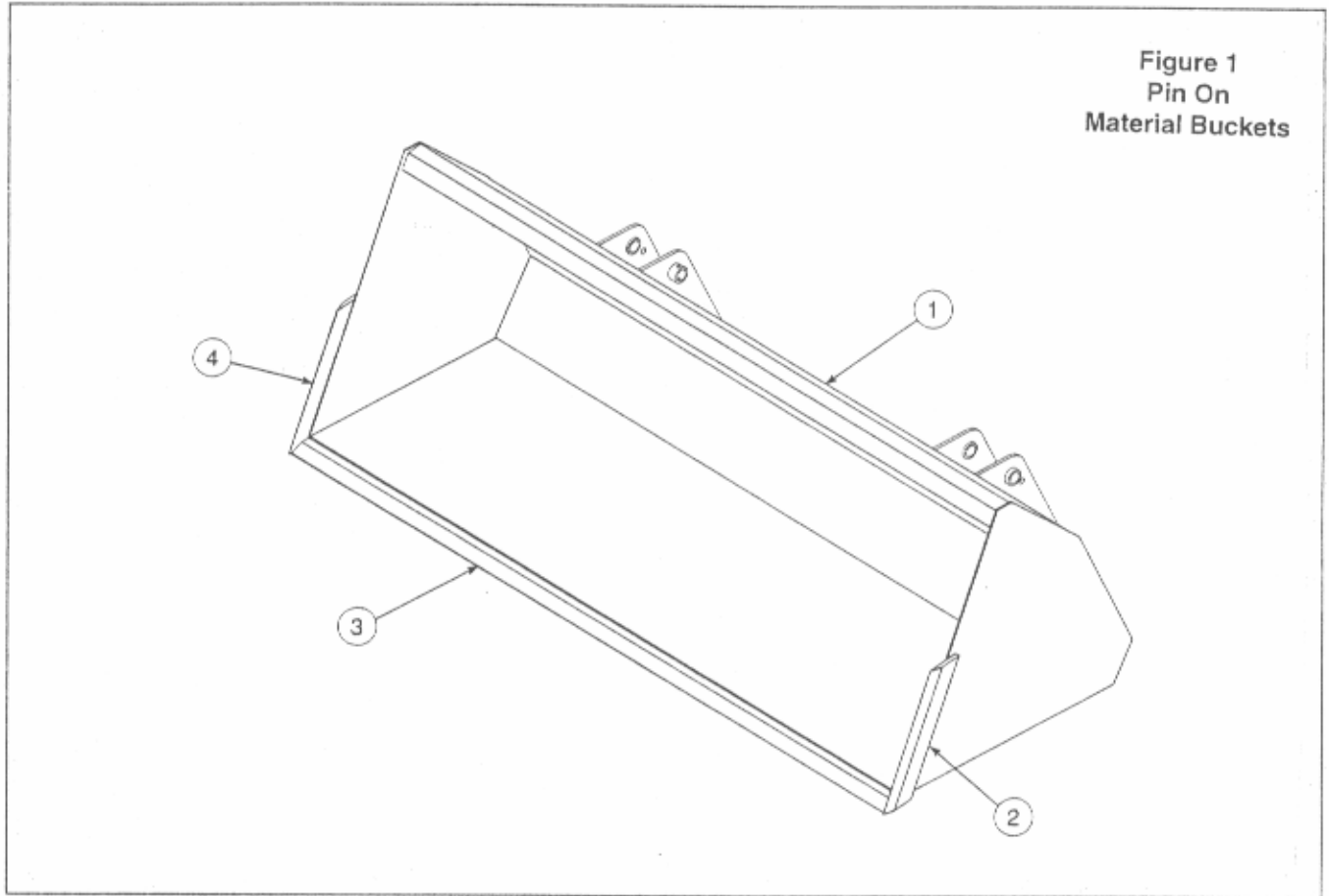


Figure 1
 Pin On
 Material Buckets

PARTS LIST - PIN ON BUCKETS

ITEM	PART NO.	DESCRIPTION	QTY.
1	*	BUCKET, 72" (Includes cutting edges)	1
	*	BUCKET, 84" Heavy Duty (Includes cutting edges)	1
2	32817-1	CUTTING EDGE, Left Side (72")	1
	28086-1	CUTTING EDGE, Left Side (84")	1
3	22543-4	CUTTING EDGE, Bottom (72")	1
	22543-3	CUTTING EDGE, Bottom (84")	1
4	32817-2	CUTTING EDGE, Right Side (72")	1
	28086-2	CUTTING EDGE, Right Side (84")	1

* Not sold as repair part.

ATTACHING PIN ON BUCKET

Attach bucket to lift boom frame and bucket cylinders using pins, cap screws and lock nuts supplied with loader.



WARNING: Always wear safety glasses when installing or removing buckets.



WARNING: Always use a drift and hammer made of non-sparking material (a shot filled mallet is recommended) to install or remove pins. A steel hammer or drift could generate flying metal fragments and result in injury. Always wear safety glasses when using a hammer to remove or install pins.

BUCKET MODEL	BUCKET WIDTH		STRUCK CAPACITY	
	Inches	Centimeters	Cubic Yards	Cubic Meters
72"	72	183	.60	.46
84" H.D.	84	213	.93	.72

INSTALLATION INSTRUCTIONS