

NO-TOOLS ATTACHING KIT INSTALLATION INSTRUCTIONS

SMC 2408 & KIOTI KL128 LOADERS

No-Tools attaching kit can be installed using tools ordinarily available.

Loader must be dismounted from tractor to install no-tools attaching kit.

Follow dismounting procedure in loader operators manual.

WARNING: *To avoid injury during removal of Quick-Tach loader:*

- Place loader bucket against barrier to restrict forward movement of loader.
- Do not permit bystanders within 10 feet of loader.

WARNING: *Always wear safety glasses when working on loader.*

WARNING: *Always use a brass drift and a brass hammer to install or remove pins. Failure to do so could result in injury.*

NO-TOOLS ATTACHMENT INSTALLATION (Figure 1)

Figure 1 shows left side frame attachment. Right side frame instructions are identical. Handle must be toward outside of side frame.

1. Remove and discard existing 3/4 flex-lock nut, 3/4 flat washer and hinge bolt.
2. Remove hinge, carriage bolt and lock nut from side frame and save for later reassembly.
3. Install tension rod (1) to linkage assembly (2) using clevis pin (3) and cotter pin (4).

NOTE: *Tension rod must be assembled to linkage assembly as shown in Figure 1.*

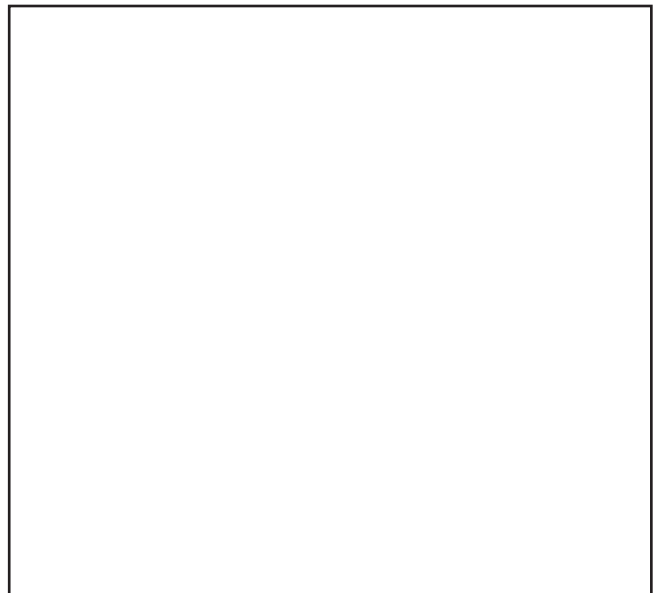
4. Position tension rod and linkage assembly into loader side frame with tension rod toward front of loader. Rotate handle and linkage assembly to "open" position so holes for spring pins (6) are visible from bottom of loader side frame. Install spring pins (6) thru linkage assembly (2) and handle (5). Install grip (8) onto handle (5).

5. Screw tee-bolt assembly (7) into tension rod (1) approximately 1/2 inch.
6. Reinstall hinge with hinge carriage bolt and lock nut from disassembly.
7. Apply decals (9 & 10) to side frames as shown.

CLAMPING HINGE

1. Rotate handle to open position.
2. If hinge is closed, pull tee-bolt forward, releasing hinge from tee bolt. Hinge will swing open.
3. Follow procedure listed in "Operation" section of loader operator's manual to mount loader to tractor.
4. Swing hinge closed and rotate tension rod with tee-bolt into position on hinge. Rotate handle upward. Be sure hinge is locked in place.
5. Tension on tee-bolt can be adjusted by turning tee-bolt in or out prior to clamping hinge. Adjust tee-bolt so approximately 40 - 50 lbs. force is needed to clamp hinge.

NOTE: *Be sure tee bolt clamps straight across hinge.*



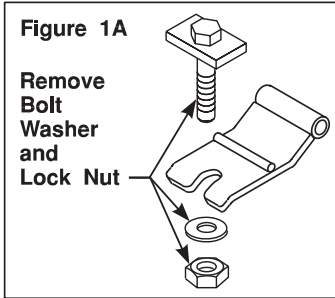
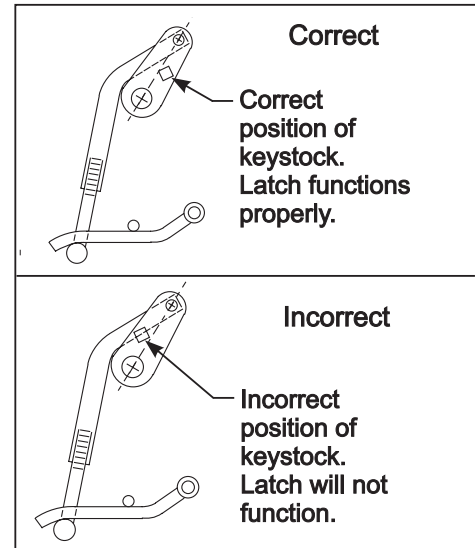
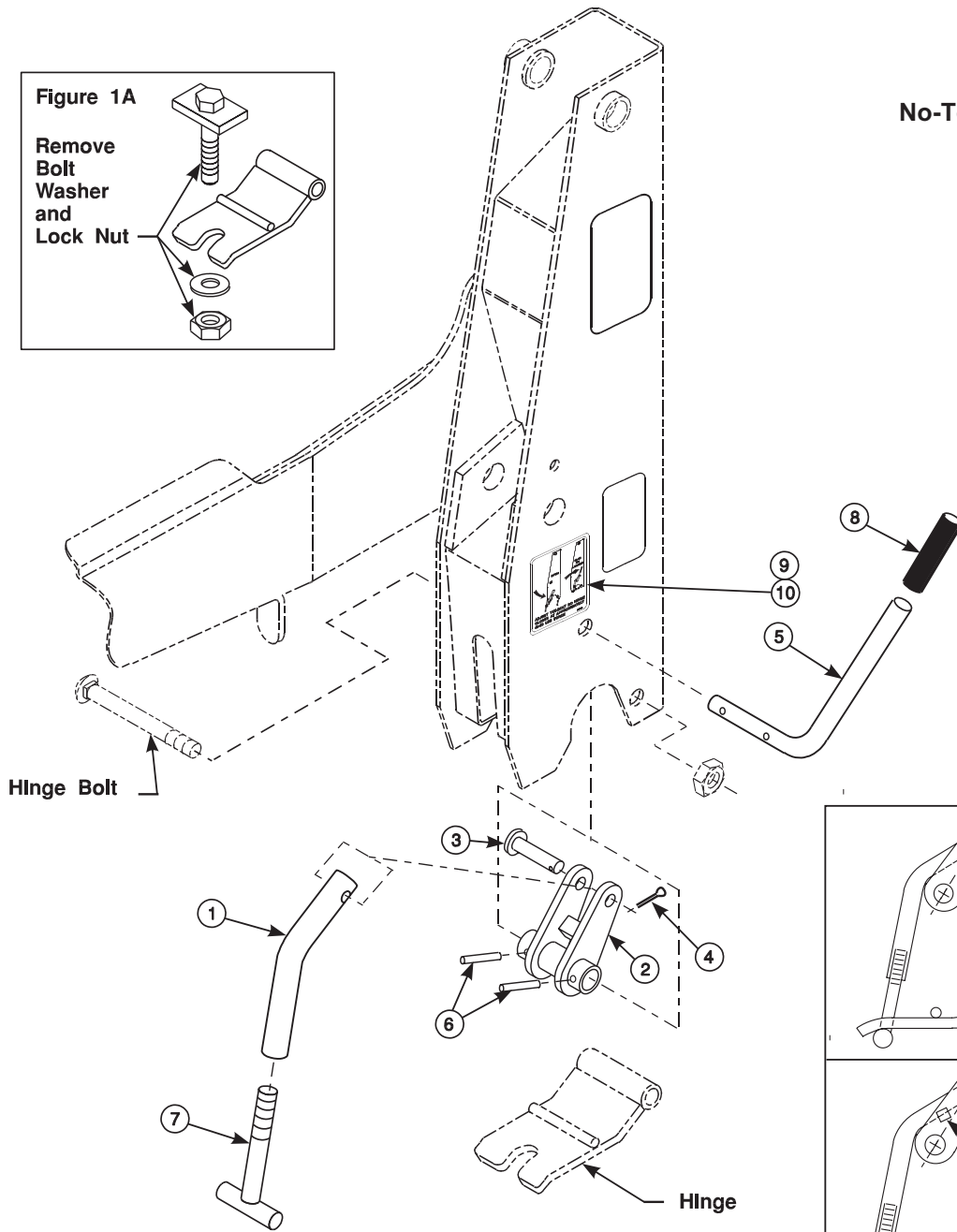


Figure 1
No-Tools Attachment Assembly



PARTS LIST - NO-TOOLS KIT

ITEM	PART NO,	DESCRIPTION	QTY.
1	44111	ROD, Tension	2
2	44109	LINKAGE ASSEMBLY	2
3	6021-40	PIN, Clevis	2
4	G177923	PIN, Cotter	2
5	44110	HANDLE, No-Tools	2
6	6016-3	PIN, Spring	4
7	44113	TEE-BOLT, Weldment	2
8	41473	GRIP, Handle	2
9	44149	DECAL, Right	1
10	44148	DECAL, Left	1