

Keep With Loader Operator's Manual

LOADER MOUNTING KIT INSTRUCTIONS SMC 2409

MODEL	2WD	4WD	LESS CAB	SOFT CAB
2120*	X	X	X	X

Mount kit compatible with vertical exhaust only.

*Prior to tractor serial number UV32236.

Mounting brackets can be installed using tools ordinarily available. Check tire clearances once loader is installed and adjust tread width if necessary. Shut off tractor engine and engage tractor brakes during installation.

NOTE: Leave all attaching hardware loose until mounting brackets are completely assembled to facilitate assembly and proper alignment. Tighten all hardware to torque specifications in loader operators manual.

NOTE: If installing optional grille guard (2-6225), install grille guard and front mounting bracket at the same time.

INSTALLING MOUNTING BRACKETS (Figure 1)

1. Remove and discard hardware securing front coupler bracket to tractor frame.
2. Install front mounting bracket (1), front spacer (10) and front coupler bracket to tractor frame using 1/2 x 2-1/2 cap screws (9) and 1/2 lock nuts (13).

3. Remove four 16MM cap screws securing valve bracket to mounting pad on right side of tractor. Remove two 14MM cap screws located 4-3/4" (121MM) from rear of tractor frame (Figure 1).
4. With valve bracket sandwiched in between, fasten right mid mounting bracket (2) to tractor casting using 16MM x 50MM cap screws (6) and 5/8 lock washers (15) in rear four holes and 14MM x 110MM cap screws (5) and 9/16 lock washers (14) in front two holes.
5. Fasten left mid mounting bracket (3) and spacer plate (7) to tractor casting using 16MM x 45MM cap screws (6) and 5/8 lock washers (15) in rear four holes and 14MM x 110MM cap screws (5) and 9/16 lock washers (14) in front two holes.

NOTE: Torque 14MM cap screws to 85-103 ft. lb.

INSTALLATION INSTRUCTIONS

PARTS LIST - MOUNTING KIT

ITEM	PART NO.	DESCRIPTION	QTY.
1	44055	BRACKET, Front Mounting	1
2	44065-2	BRACKET, Midmounting, Right	1
3	44065-1	BRACKET, Midmounting, Left	1
4	44124	YOKE Assembly	1
5	6090-109	SCREW, Cap, Metric, 14MM - 1.5MM x 110MM	4
6	6090-14	SCREW, Cap, Metric, 16MM - 2MM x 50MM	8
7	43124	SPACER, Flat	1
8	39240	DECAL, "WARNING, Do Not Use For Towing"	2
9	G180185	SCREW, Cap, 1/2-13 x 2-1/2	7
10	39068-3	SPACER	1
11	G271772	SCREW, Cap, 3/4-10 x 2-1/4	4
12	G9414076	NUT, Lock, 3/4-10	4
13	G9414074	NUT, Lock, 1/2-13	7
14	G120898	WASHER, Lock, 9/16	4
15	G121574	WASHER, Lock, 5/8	8

INSTALLING LOADER TO MOUNTING BRACKETS

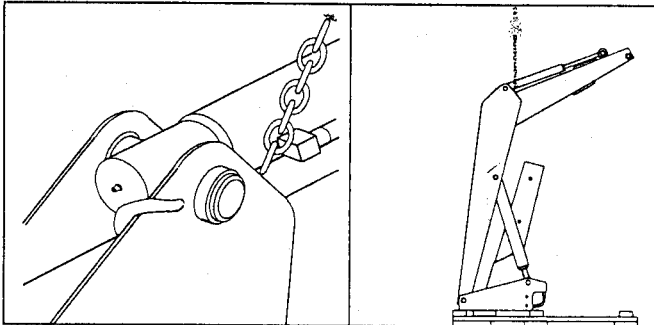


WARNING: To avoid injury during installation of quick attach loader, do not permit bystanders within ten feet of loader.

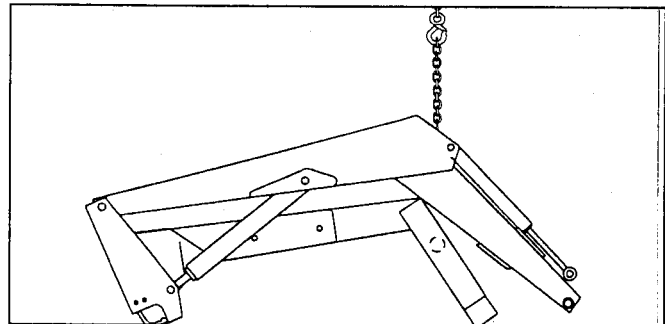
1. Loop chain under each lift cylinder and hook on loader boom arm. Using overhead hoist to support loader remove hardware securing loader to pallet. Lift loader and remove pallet.



CAUTION: Do not damage grease fitting on end of cylinder. Be sure chain does not pinch lift cylinder.



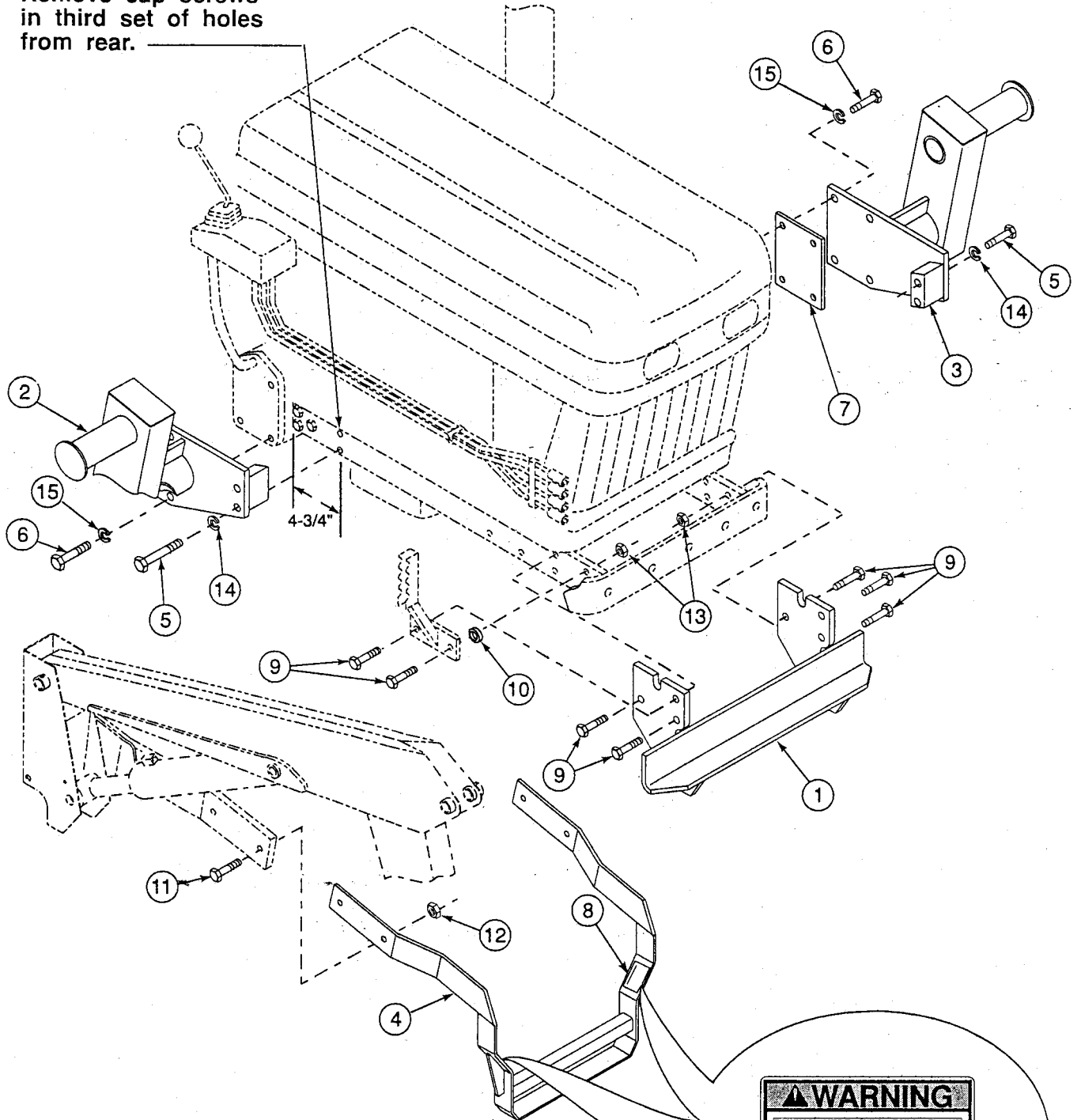
2. Using overhead hoist, lower loader from vertical shipping position to horizontal position leaving enough room to install yoke (scraps of cardboard may be used to protect paint). Install yoke assembly (14) using 3/4 x 2-1/2 cap screws (12) and 3/4 lock nuts (13). Lower loader completely to the ground.



NOTE: Hardware connecting yoke to loader side-frames should be snug but do not torque completely. After loader has been mounted to tractor and aligned with midmounting brackets and front mounting brackets, torque hardware to 239-262 ft. lb.

3. Install hose or valve kit to tractor and loader. Refer to assembly manual provided for installation instructions.

Remove cap screws
in third set of holes
from rear.

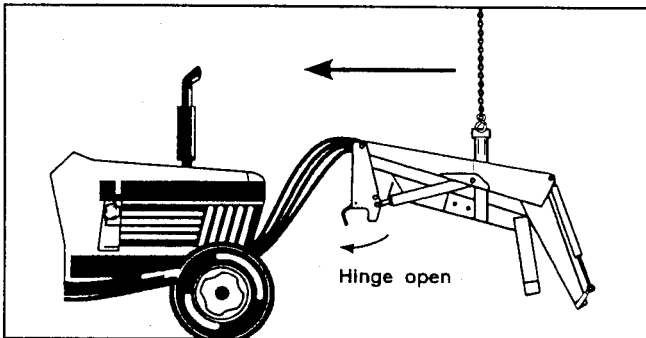
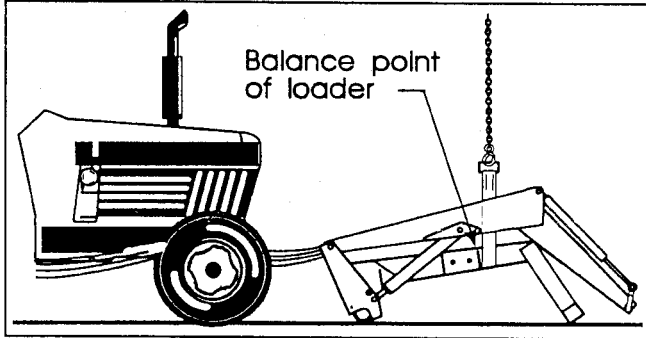


WARNING
TOWING HERE WILL PULL FRONT
LOADER SUPPORT OUT OF POCKET
CAUSING DAMAGE AND POSSIBLE
INJURY.
DO NOT USE FOR TOWING.

Figure 1
Mount Kit Assembly

INSTALLING LOADER TO MOUNTING BRACKETS (Continued)

4. Reposition overhead hoist by looping nylon strap around yoke near loader side frames at balance point of loader.
5. Using overhead hoist, raise loader until side frame uprights will clear front tires. Remove locknut and washer from loader hinge and swing each hinge open.



6. Position loader so hinges hook over mid mounting tubes and yoke tube fits inside front mounting bracket.
7. Clamp hinges to midmounting tubes with 3/4 flat washers and 3/4 flex-lock nuts (supplied with loader):

IMPORTANT: Be sure to use flex-lock nuts to clamp hinge. Tighten flex-lock nuts against hinge securely, but not to more than 125 ft.-lb. torque.

8. Adjust front wheel tread settings or steering stops, if necessary to prevent interference between tires and

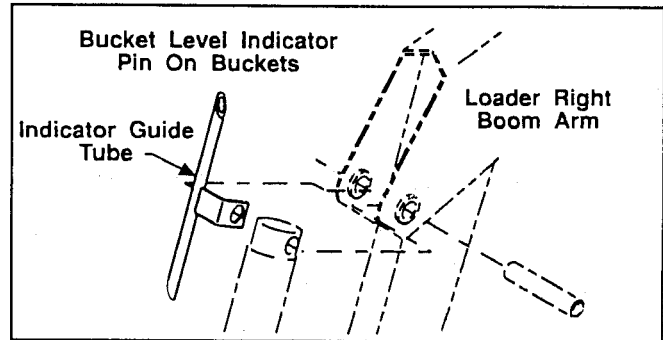
loader. Refer to tractor operator's manual for adjustment procedures.

INSTALLING BUCKET

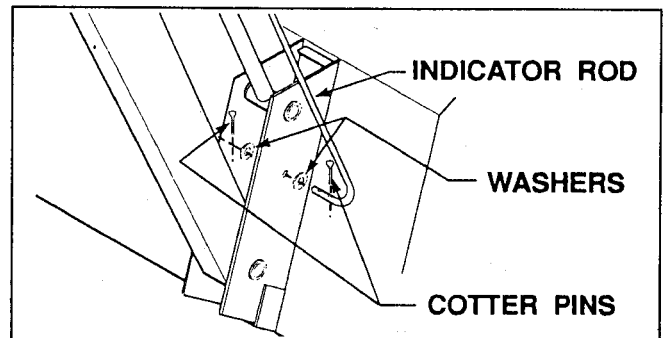
Refer to instruction sheet for instructions on installing bucket.

INSTALLING BUCKET LEVEL INDICATOR

1. Attach indicator guide tube to cylinder pin. Guide tube is positioned to outside of boom.



2. Slide bucket level indicator rod through guide tube. Attach other end of rod with 1/8 x 1 cotter pins and 3/8 flat washers.



3. Locate tractor and loader on level surface. With bottom of bucket resting on surface, cut off excess rod flush with end of guide tube or paint exposed rod a contrasting color.