

Keep With Loader Operator's Manual

---

## SMC 2409 LOADER MOUNTING KIT INSTRUCTIONS JOHN DEERE TRACTORS

MODEL	2WD	4WD	LESS CAB	WITH CAB
970		X	X	
990		X	X	
1070		X	X	

Loader is compatible with John Deere 72" Mid Mount Mower

---

Mounting brackets can be installed on the tractor using tools ordinarily available. Shut off tractor engine and engage tractor brakes during installation.

Front weight bracket must be removed if so equipped.

Remove mower deck to ease mount kit installation.

**NOTE:** Leave all attaching hardware loose until mounting brackets are completely assembled to facilitate assembly and proper alignment.

### INSTALLING MOUNTING BRACKETS (Figure 1)

1. Fasten front mounting bracket (1) to tractor frame using 1/2 x 1-1/2 cap screws (8) and 1/2 lock nuts (9).

**NOTE:** If tractor is equipped with 72" center mount mower, remove attachment plates for mower mid support brackets. Use original hardware to fasten mower support brackets to loader mid mounting brackets after loader mid mount brackets have been installed.

2. Install mid mounting brackets (2 & 3) to tractor frame using 16 MM x 45 MM cap screws (6) and 5/8 lock washers (7).

**PARTS LIST - MOUNTING KIT**

ITEM	PART NO.	DESCRIPTION	QTY.
1	44379	BRACKET, Front Mounting	1
2	44380	BRACKET, Midmounting, Right	1
3	44393	BRACKET, Midmounting, Left (not shown)	1
4	44390	YOKE Assembly	1
5	G9414076	NUT, Lock, 3/4-10	4
6	6090-68	SCREW, Cap, Metric, 16MM - 2MM x 45MM	8
7	G121574	WASHER, Lock, 5/8	8
8	G180177	SCREW, Cap, 1/2-13 x 1-1/2	8
9	G9414074	NUT, Lock, 1/2-13	8
10	39240	DECAL, "WARNING, Do Not Use For Towing"	2
11	G271773	SCREW, Cap, 3/4-10 x 2-1/2	4

**INSTALLING LOADER TO MOUNTING BRACKETS**

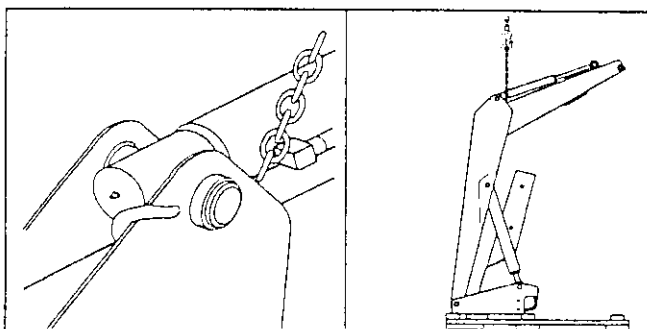


**WARNING:** To avoid injury during installation of quick attach loader, do not permit bystanders within ten feet of loader.

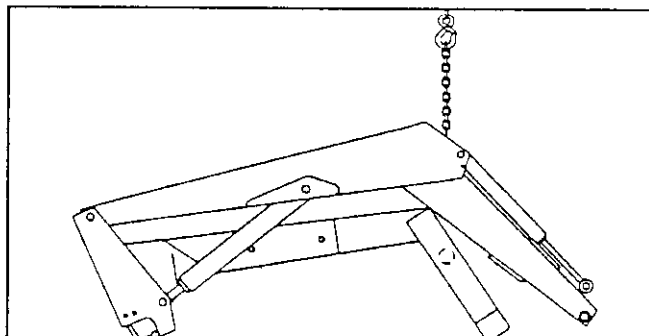
1. Loop chain under each lift cylinder and hook on loader boom arm. Using overhead hoist to support loader remove hardware securing loader to pallet. Lift loader and remove pallet.



**CAUTION:** Do not damage grease fitting on end of cylinder. Be sure chain does not pinch lift cylinder.

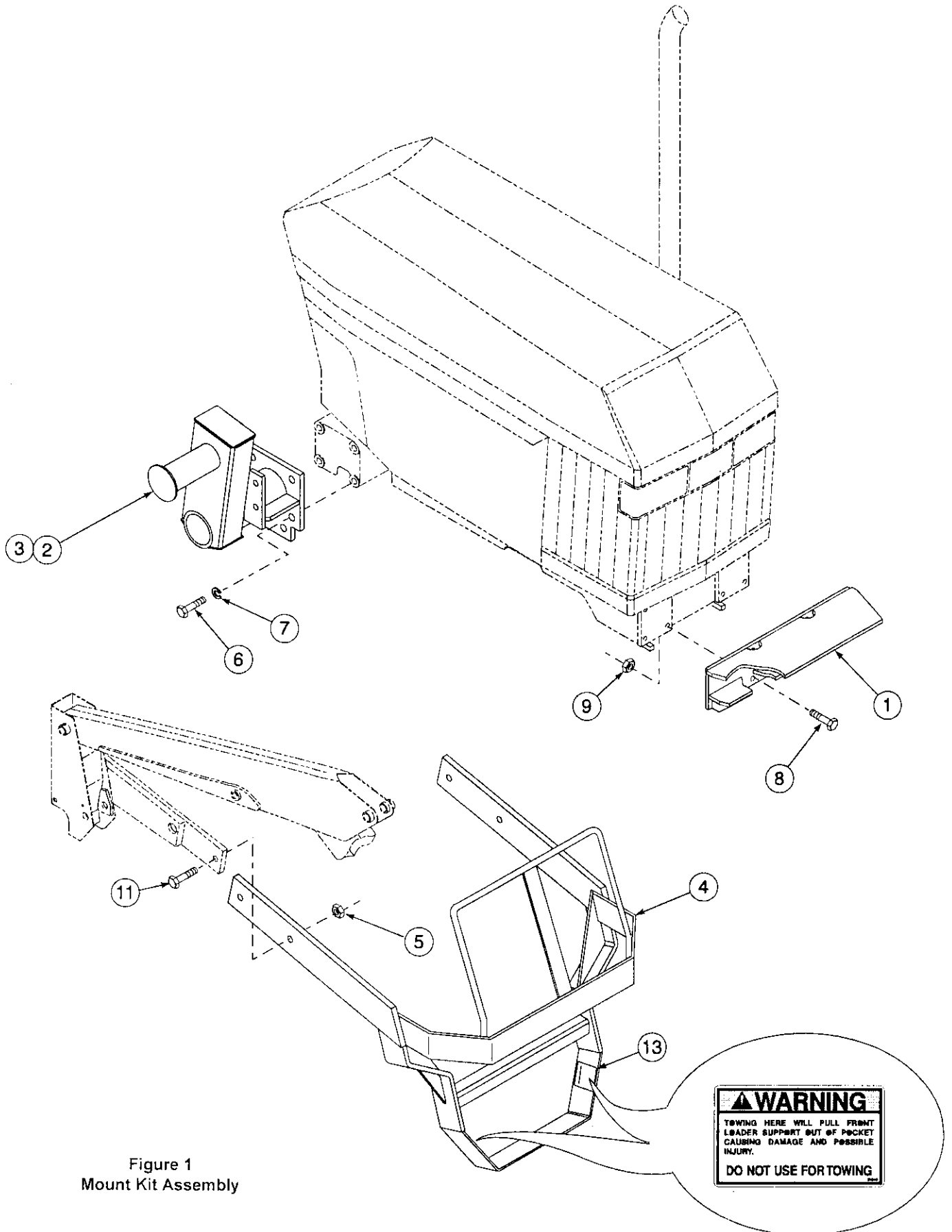


2. Using overhead hoist, lower loader from vertical shipping position to horizontal position leaving enough room to install yoke (scraps of cardboard may be used to protect paint). Install yoke assembly (4) using 3/4 x 2-1/2 cap screws (11) and 3/4 lock nuts (5). Lower loader completely to the ground.



**NOTE:** Hardware connecting yoke to loader side-frames should be snug but do not torque completely. After loader has been mounted to tractor and aligned with midmounting brackets and front mounting brackets, torque hardware to 239-262 ft. lb.

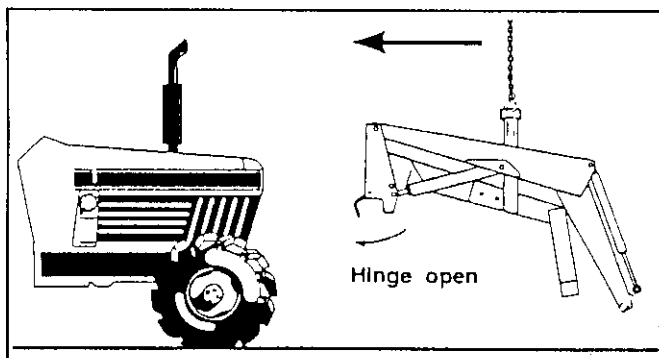
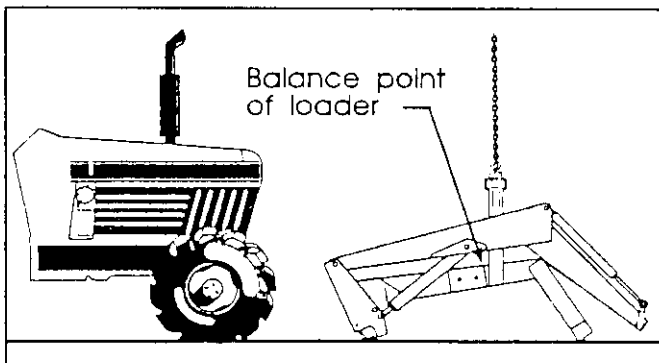
3. Install hose or valve kit to tractor and loader. Refer to assembly manual provided for installation instructions.



## BUNDLE 2-6316

### INSTALLING LOADER TO MOUNTING BRACKETS (Continued)

4. Reposition overhead hoist by looping nylon strap around yoke near loader side frames at balance point of loader.
5. Using overhead hoist, raise loader until side frame uprights will clear front tires. Remove locknut and washer from loader hinge and swing each hinge open.



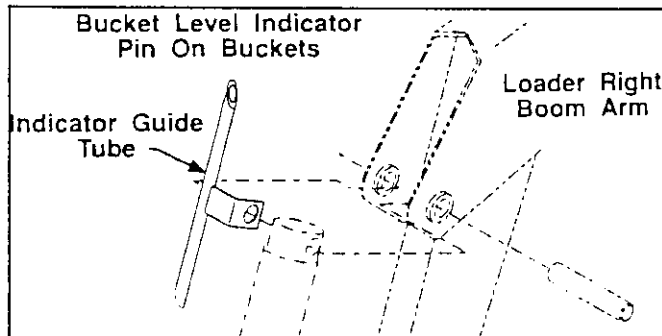
6. Position loader so hinges hook over mid mounting tubes and yoke tube fits inside front mounting bracket.
7. Clamp hinges to midmounting tubes with 3/4 flat washers and 3/4 flex-lock nuts (supplied with loader).  
**IMPORTANT:** Be sure to use flex-lock nuts to clamp hinge. Tighten flex-lock nuts against hinge securely, but not to more than 125 ft.-lb. torque.
8. Adjust front wheel tread settings or steering stops, if necessary to prevent interference between tires and loader. Refer to tractor operator's manual for adjustment procedures.

### INSTALLING BUCKET

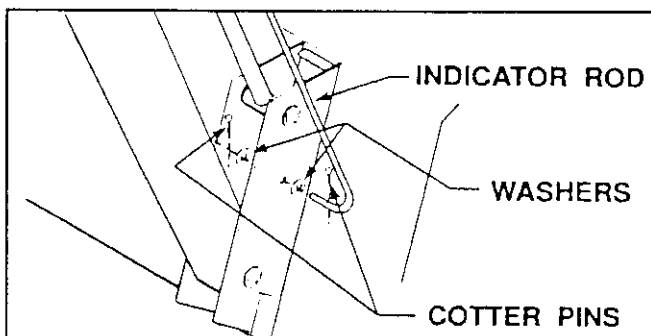
Refer to instruction sheet for instructions on installing bucket.

### INSTALLING BUCKET LEVEL INDICATOR

1. Attach indicator guide tube to cylinder pin. Guide tube is positioned to outside of boom.



2. Slide bucket level indicator rod through guide tube. Attach other end of rod with 1/8 x 1 cotter pins and 3/8 flat washers.



3. Locate tractor and loader on level surface. With bottom of bucket resting on surface, cut off excess rod flush with end of guide tube or paint exposed rod a contrasting color.