

Keep With Loader Operator's Manual

**SMC 2410
LOADER MOUNTING KIT INSTRUCTIONS
KUBOTA TRACTORS**

MODEL	2WD	4WD	LESS CAB	WITH CAB
M4700		X	X	
M5400		X	X	

Mounting brackets can be installed using tools ordinarily available. Check tire clearances once loader is installed and adjust tread width if necessary. Shut off tractor engine and engage tractor brakes during installation.

NOTE: *Leave all attaching hardware loose until mounting brackets are completely assembled to facilitate assembly and proper alignment. Tighten all hardware to torque specifications in loader operators manual.*

INSTALLING MOUNTING BRACKETS (Figure 1)

1. Install front mounting bracket (1) using 16MM x 45MM cap screws (8) and 5/8 lock washers (9).
2. Install midmounting brackets (2 & 3) to right and left sides of tractor transmission casting using 16MM x 45MM cap screws (8) and 5/8 lock washers (9).
3. Install crosstie assembly (2) to right and left midmounting assemblies (3 & 4) using 5/8 x 2 cap screws (6) and 5/8 lock nuts (11).
4. Fasten crosstie assembly (2) to under side of tractor transmission casting using 16MM x 100MM cap screws (7) and 5/8 lock washers (9).

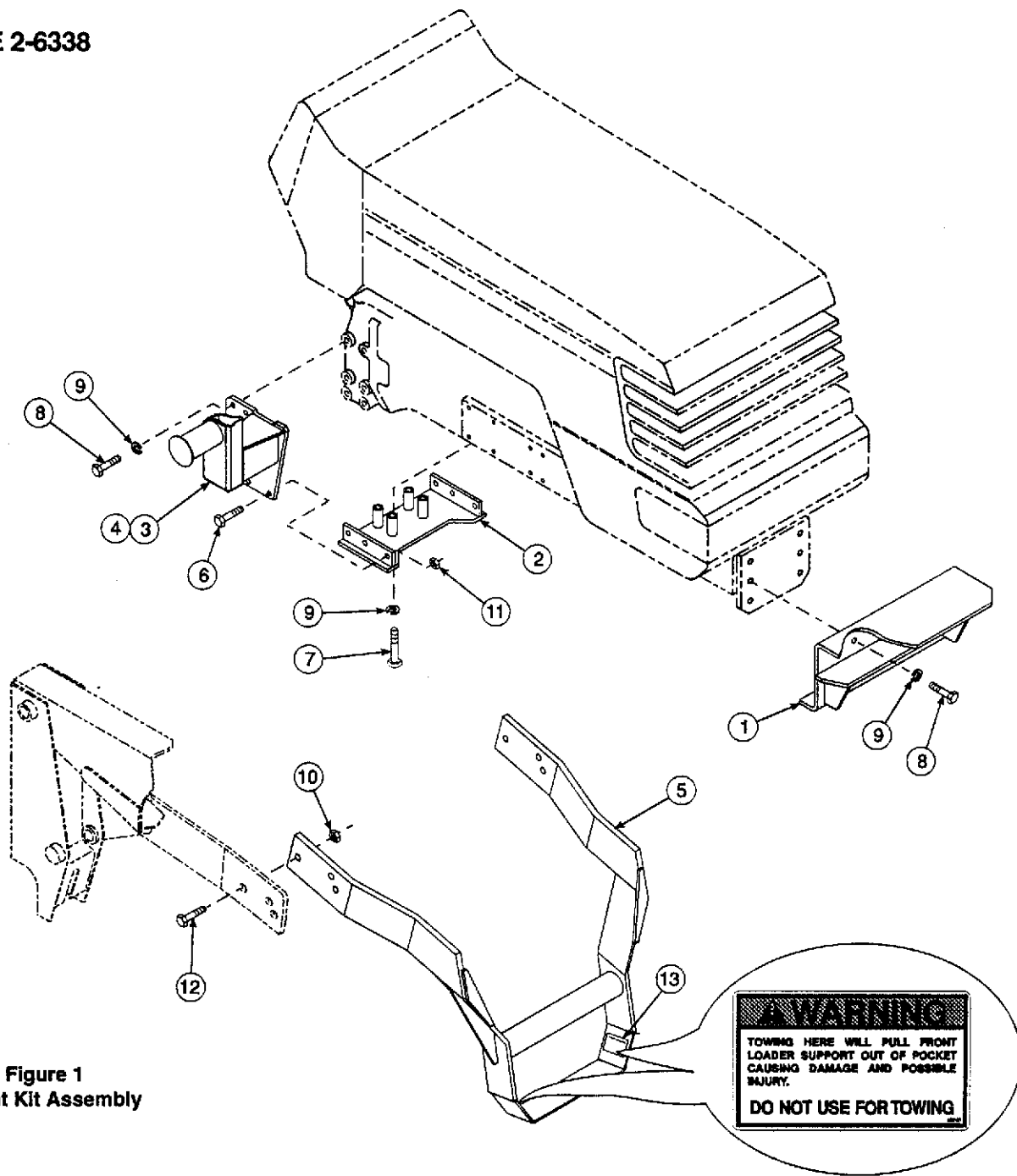


Figure 1
Mount Kit Assembly

PARTS LIST - MOUNTING KIT

ITEM	PART NO.	DESCRIPTION	QTY.
1	42017	BRACKET, Front Mounting	
2	44181	CROSSPLATE	
3	44178	BRACKET, Midmounting, Right	
4	44177	BRACKET, Midmounting, Left	
5	44176	YOKE Assembly	
6	G271723	SCREW, Cap, 5/8-11 x 2	6
7	6090-13	SCREW, Cap, 16MM-1.50 x 100MM	4
8	6090-53	SCREW, Cap, 16MM-150 x 45MM	14
9	G121574	WASHER, Lock, 5/8	18
10	G9414076	NUT, Lock, 3/4-10	6
11	G9414075	NUT, Lock, 5/8-11	6
12	G271773	SCREW, Cap, 3/4-10 x 2-1/2	6
13	39240	DECAL, "WARNING, Do Not Use For Towing"	2

INSTALLING LOADER TO MOUNTING BRACKETS

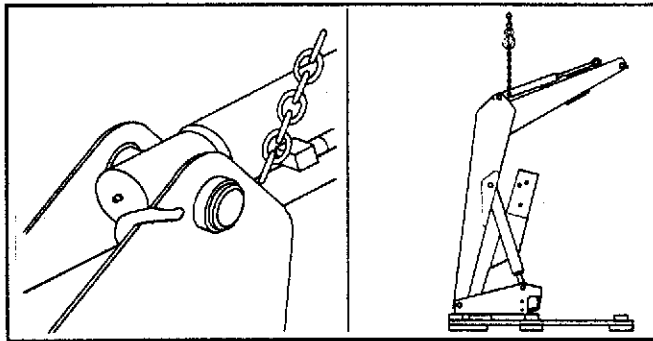


WARNING: To avoid injury during installation of quick attach loader, do not permit bystanders within ten feet of loader.

1. Loop chain under each lift cylinder and hook on loader boom arm. Using overhead hoist to support loader remove hardware securing loader to pallet. Lift loader and remove pallet.



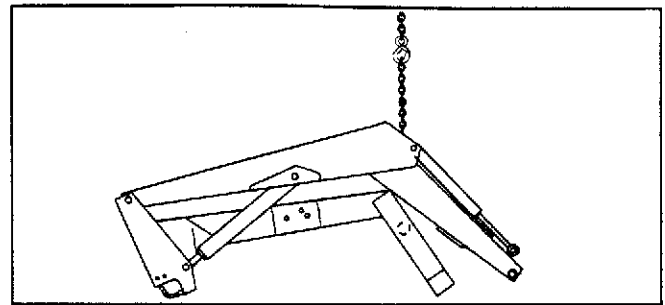
CAUTION: Do not damage grease fitting on end of cylinder. Be sure chain does not pinch lift cylinder hose.



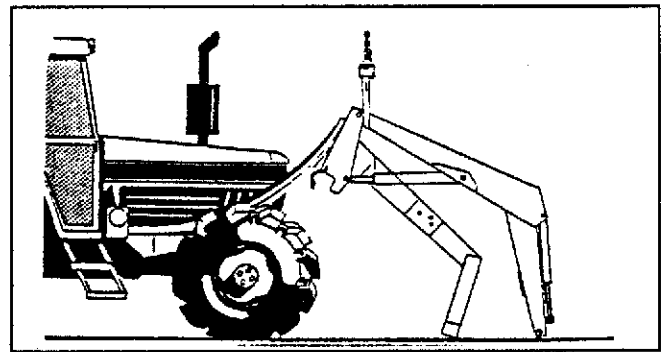
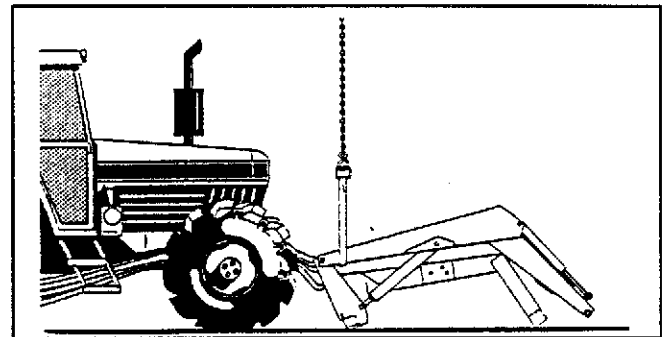
2. Using overhead hoist, lower loader from vertical shipping position to horizontal position leaving enough room to install yoke (scraps of cardboard may be used to protect paint). Install yoke assembly (5) using 3/4 x 2-1/2 cap screws (12) and 3/4 lock nuts (10). Lower loader completely to the ground.

NOTE: Hardware connecting yoke to loader sideframes should be snug but do not torque completely. After loader has been mounted to tractor and aligned with midmounting brackets and front mounting brackets, torque hardware to specifications in loader operators manual.

3. Install hose or valve kit to tractor and loader.
4. Position tractor close enough so plumbing can be connected to tractor. Route hoses loosely to allow maximum reach. Using nylon straps reposition overhead hoist to loader boom arms near pivot point to side frames.



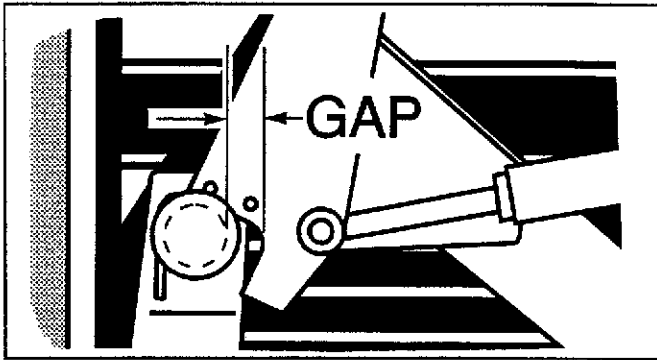
5. Operate loader control valve to extend lift cylinders until front yoke is resting on ground and side frame uprights will clear front tires. Shut off tractor engine and engage tractor brakes. Reroute loader hoses to inside of right midmount bracket. Remove locknut and washer from loader hinge and swing each hinge open.



6. Start tractor engine, release tractor brakes and slowly drive forward while operating lift control levers to retract lift cylinders. Position loader so hinges hook over mid mounting tubes. Use of overhead hoist will facilitate positioning loader into mid mounting tubes.

BUNDLE 2-6338

INSTALLING LOADER TO MOUNTING BRACKETS (Continued)



IMPORTANT: Position loader uprights so mid mounting tubes are tight against hinges until loader has finished rotating so loader front bumper tube does not hit lower flange of front mounting channel.

7. With tractor in neutral, retract lift cylinders, bringing side frame up so front yoke tube contacts upper flange of front mounting bracket channel. Move tractor ahead until front yoke tube engages in front mounting channel and upright hinges can clamp around mid mounting tube. Engage tractor brakes and shut off tractor engine.

8. Clamp hinges to midmounting tubes with 3/4 flat washers and 3/4 flex-lock nuts (supplied with loader).

NOTE: Only one washer per side is necessary for mounting. Second washer is for shipping purposes only.

IMPORTANT: Be sure to use flex-lock nuts to clamp hinge. Tighten flex-lock nuts against hinge securely, but not to more than 125 ft.-lb. torque.

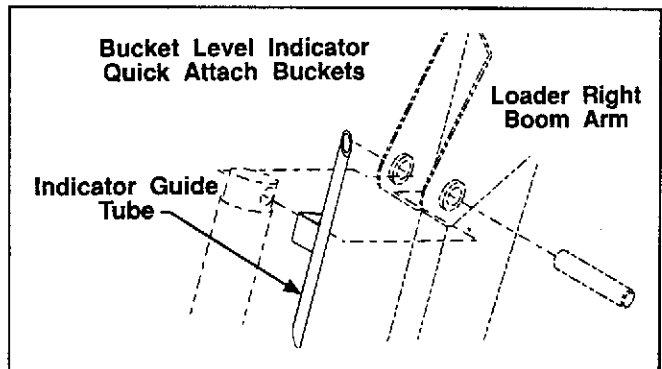
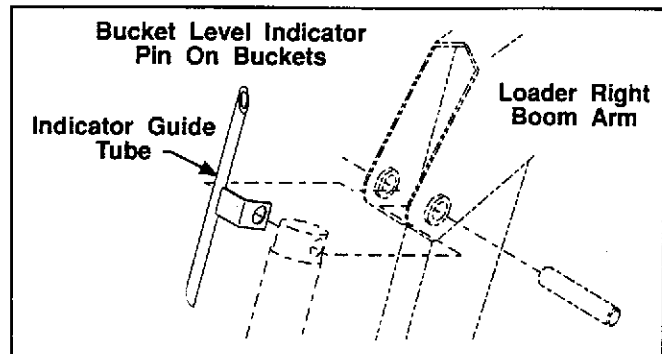
9. Adjust front wheel tread settings or steering stops, if necessary to prevent interference between tires and loader. Refer to tractor operator's manual for adjustment procedures.

INSTALLING BUCKET OR OPTIONAL ATTACHMENT

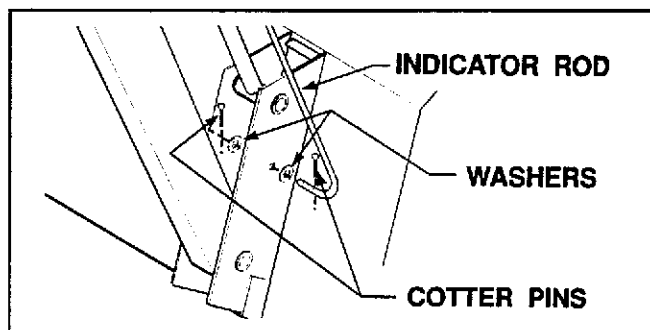
Refer to loader operator's manual for instructions on installing bucket or optional attachment.

INSTALLING BUCKET LEVEL INDICATOR

1. Attach indicator guide tube to cylinder pin. Guide tube is positioned to outside of boom for pin on attachments and inside of boom when quick attach device is used.



2. Slide bucket level indicator rod through guide tube. Attach other end of rod with 1/8 x 1 cotter pins. If pin on bucket is used, attach lower end of rod to bucket ear. If quick attach device is used, attach lower end of rod to quick attach device.



3. Locate tractor and loader on level surface. With bottom of bucket resting on surface, cut off excess rod flush with end of guide tube or paint exposed rod a contrasting color.