

Keep with Operators Manual

**SMC 65A, 75 & 85 BACKHOE
SUBFRAME CHANNEL KIT**

Complete backhoe mounting also requires purchase of subframe mounting kit for your particular tractor.

NOTE: *To complete mounting kit install subframe mounting kit for your tractor (additional kit - not provided in this kit).*

INSTALLING SUBFRAME CHANNELS

1. Install subframe channels (1 & 2) as shown in Figure 1.
2. Install mounting brackets (3) in rear set of holes on channels Using 3/4 x 2 cap screws (6) and 3/4 lock nuts (5) in channels and 3/4 x 1-3/4 cap screws (4) and 3/4 lock nuts (5) on backhoe mainframe.

PARTS LIST - SUBFRAME CHANNEL KIT

ITEM	PART NO.	DESCRIPTION	QTY.
1	45700-1	CHANNEL, Left	1
2	45700-2	CHANNEL, Right	1
3	44836	BRACKET	2
4	42969-4	SCREW, Cap, 3/4-10 x 2-3/4	4
5	47264-8	NUT, Lock, 3/4-10	8

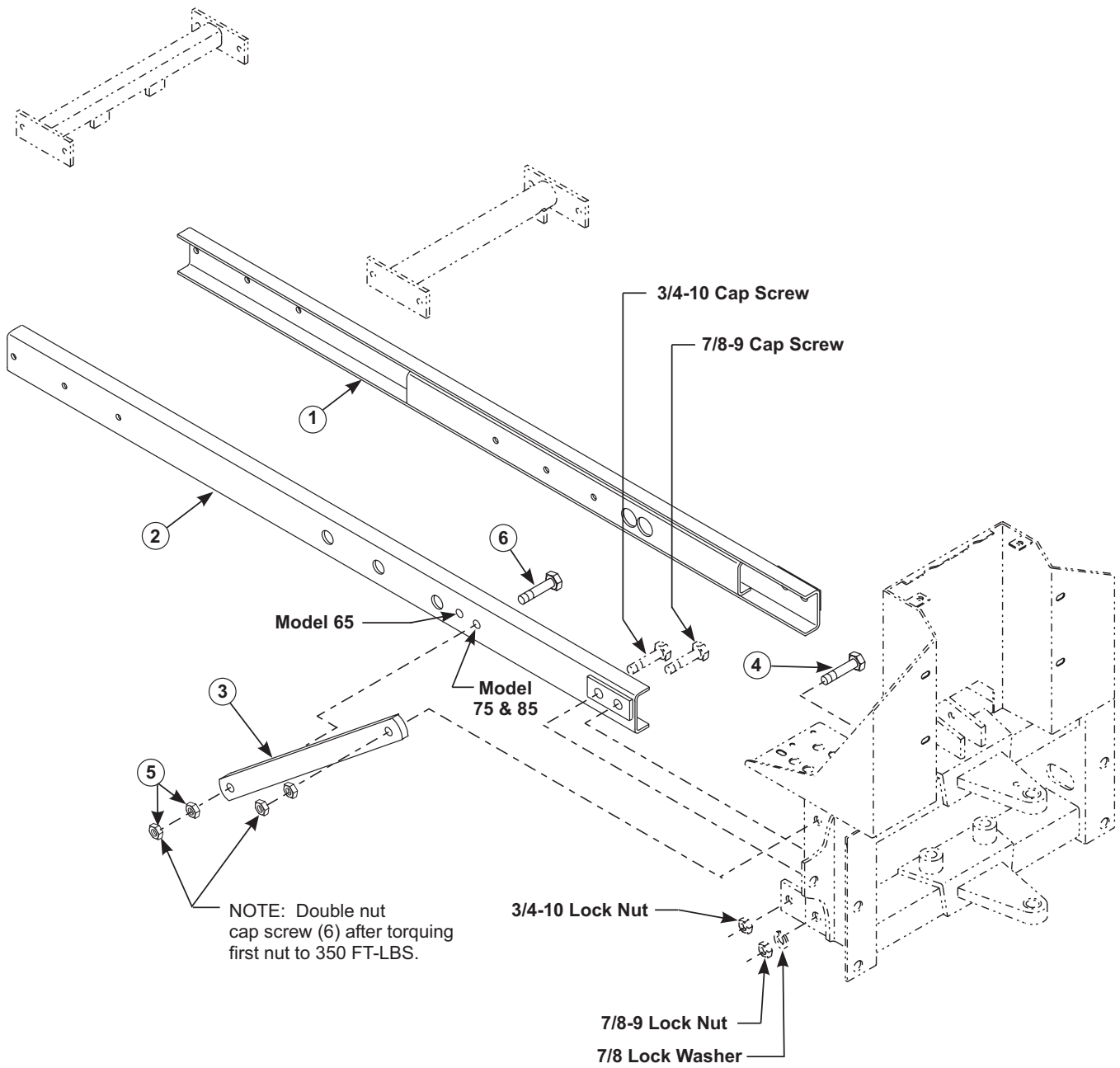


Figure 1
Subframe Channel Kit