

Keep with Operators Manual

**TOOL BOX RELOCATION KIT  
NEW HOLLAND 7511 LOADER  
NEW HOLLAND TRACTORS**

	2WD	4WD	Less Cab	With Cab
TS90	X	X	X	X
TS100	X	X	X	X
TS110	X	X	X	X

If tool box interferes with loader mounting brackets, remove tool box and original mounting brackets. Remove toolbox from original mounting brackets.

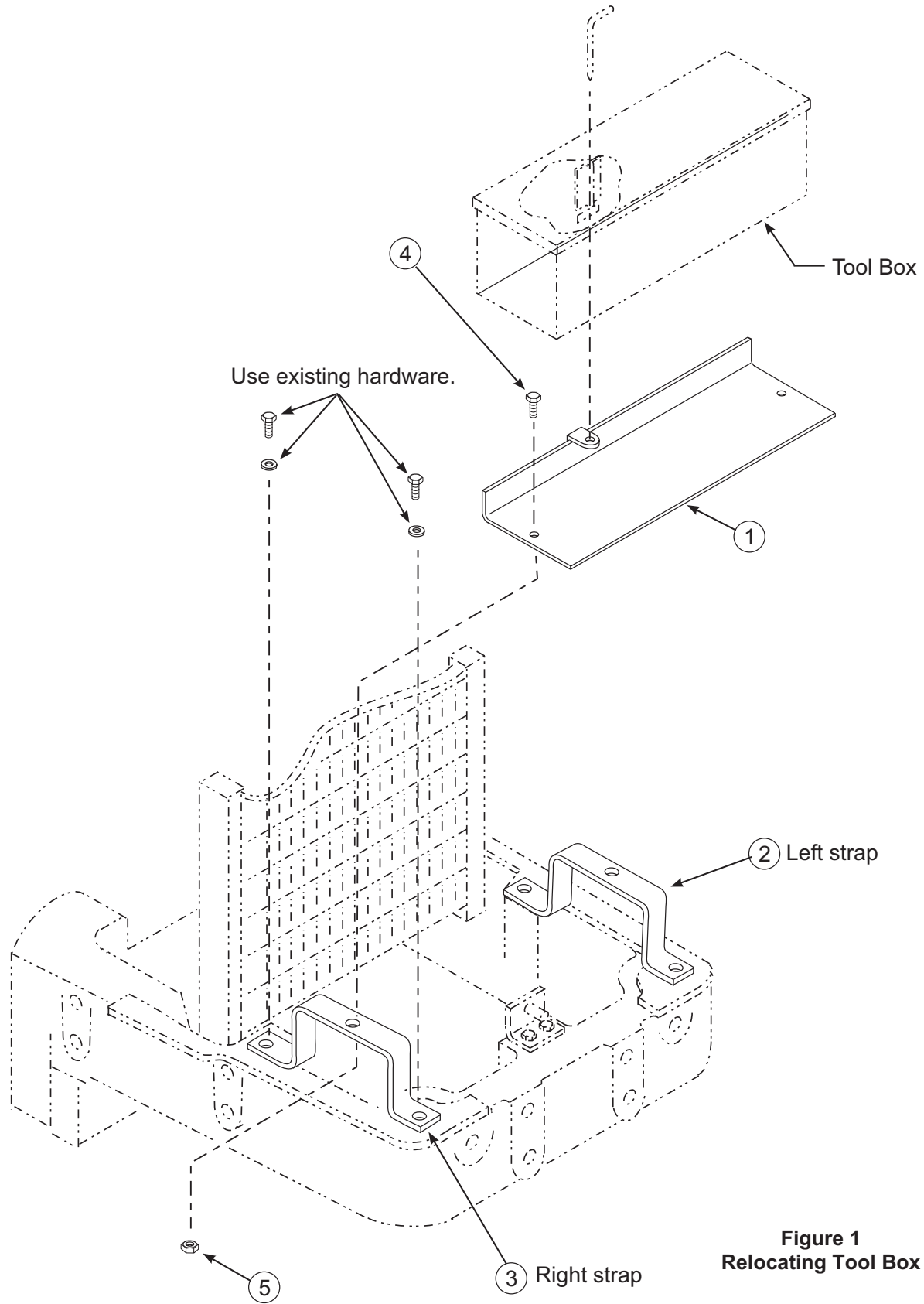
Remove and keep screws which secure rubber dust strip just ahead of radiator (Figure 1).

**RELOCATING TOOL BOX (Figure 1)**

1. Install left strap (2) and right strap (3) to front casting using original hardware.
2. Attach tool box bracket (1) to left strap (2) and right strap (3) with cap screws, 1/4-20 x 3/4 (4) and lock nuts, 1/4-20 (5).
3. Pin tool box in place.

**PARTS LIST - TOOL BOX RELOCATION KIT**

ITEM	SMC NO.	NH NO.	DESCRIPTION	QTY.
1	46334	SML46334	BRACKET, Tool Box Relocating (Not Offered as Repair Part)	1
2	46485-1	SML464851	STRAP, Left	1
3	46485-2	SML464852	STRAP, Right	1
4	G180020	09707580	SCREW, Cap, 1/4-20 x 3/4	2
5	G9424215	00280129	NUT, Lock, 1/4-20	2



**Figure 1**  
**Relocating Tool Box**