

Keep with Operators Manual

## GRILLE GUARD NEW HOLLAND TRACTORS

	2WD	4WD	Less Cab	With Cab
TS90	X	X	X	X
TS100	X	X	X	X
TS110	X	X	X	X

Guard can be installed using tools ordinarily available.

Torque all hardware to specifications listed in loader operator's manual.

### INSTALLING GUARD (Figure 1)

#### 7511 AND 7312 LOADERS

1. Install spacer plate (6), mounting brackets (2 & 3), and loader front mounting bracket using hardware provided with loader mounting kit.

**NOTE:** *The 5/8" spacer plate provided with loader mounting kit is not used with Grille Guard.*

2. Install guard (1) using 1/2 x 1-1/2 cap screws (7), spacers (15), 1/2 flat washers (14) and 1/2 lock nuts (8).
3. Install struts (4 & 5) over loader midmounting brackets, using 20MM x 60MM cap screws (12), 20MM lock washers (13), 7/8 flat washers (16) and spacers (11).

**NOTE:** *Use spacer tube (17) when installing Grille Guard without loader.*

4. Fasten guard to struts using clevis pins (9) and hair pin clips (10).

#### 7210 LOADER

1. Install loader front mounting brackets and guard mounting brackets (2 & 3) using hardware provided with loader mounting kit.

**NOTE:** *Use 1/4" spacer (6) when installing Grille Guard without loader.*

2. Install guard (1) using 1/2 x 1-1/2 cap screws (7), spacers (15), 1/2 flat washers (14) and 1/2 lock nuts (8).
3. Install struts (4 & 5) over front mounting brackets, using 20MM x 60MM cap screws (12), 20MM lock washers (13), 7/8 flat washers (16) and spacers (11).

**NOTE:** *Use spacer tube (17) when installing Grille Guard without loader.*

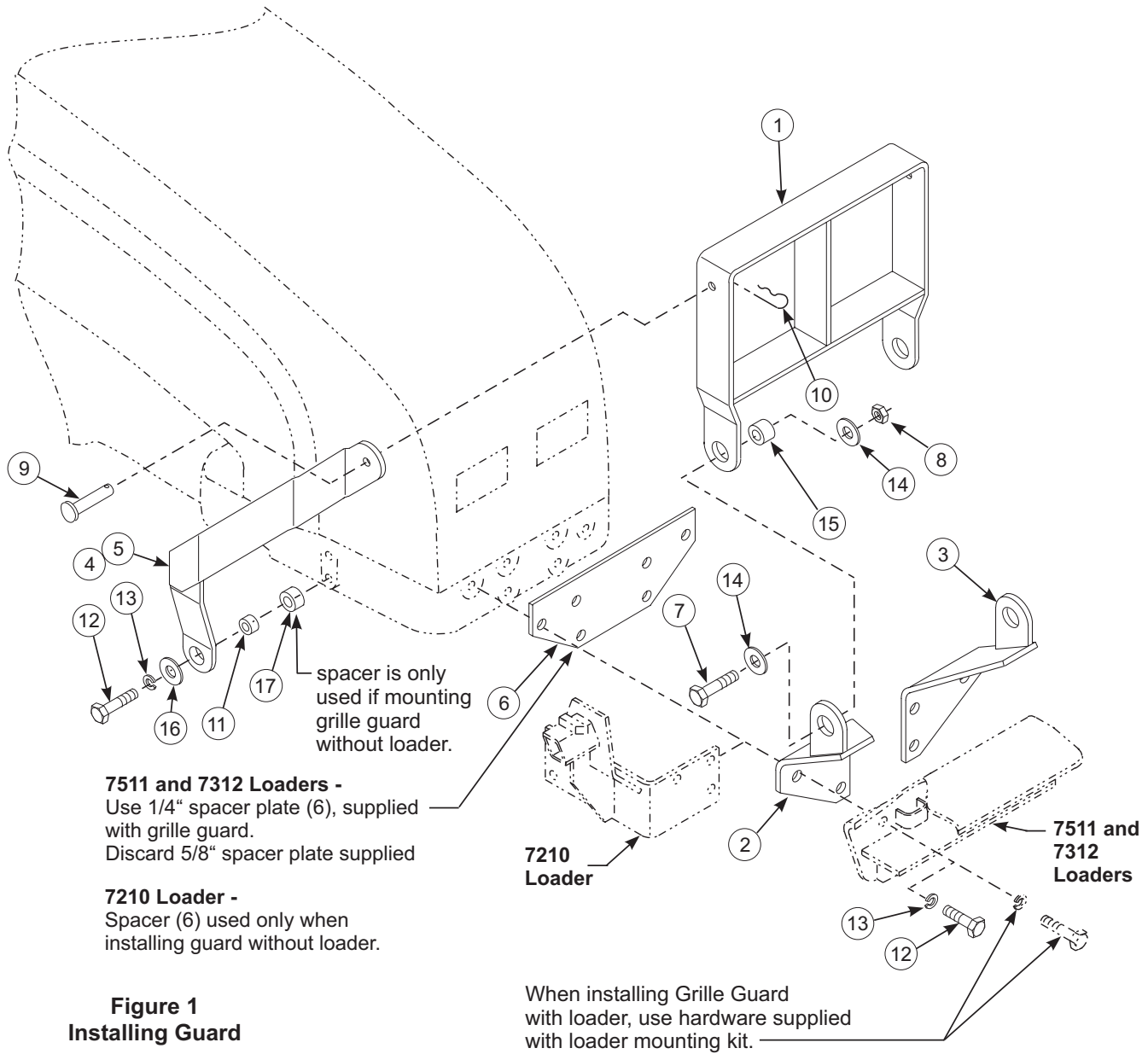
4. Fasten guard to struts using clevis pins (9) and hair pin clips (10).

### INSTALLING GUARD ONLY

1. Install 1/4" spacer (6) and mounting brackets (2&3) using 20MM x 60MM cap screws (12) and 20MM lock washers (13).
2. Install guard (1) using 1/2 x 1-1/2 cap screws (7), spacer (15), 1/2" flat washers (14) and 1/2 lock nuts (8).
3. Install struts (4 & 5) and spacer tubes (11 & 17) using 20MM x 60MM cap screws (12), 20MM lock washers (13) and 7/8 flat washers (16).
4. Fasten guard to struts using clevis pins (9) and hair pin clips (10).

### OPENING HOOD

To open hood, remove hair pin clips (10) and clevis pins (9), and swing guard down.



**Figure 1**  
**Installing Guard**

ITEM	SMC NO.	NH NO.	DESCRIPTION	QTY.
1	48401	SML48401	GRILLE GUARD	1
2	46100-2	SML461002	BRACKET, Left	1
3	46100-1	SML461001	BRACKET, Left	1
4	46105-1	SML461051	STRUT, Left	1
5	46105-2	SML461052	STRUT, Right	1
6	46029	SML46029	SPACER, Plate, 1/4"	1
7	G 180177	00087689	SCREW, Cap, 1/2-13 x 1-1/2	2
8	G9414074	09636698	NUT, Lock, 1/2-13	2
9	6021-26	SML602126	CLEVIS PIN,	2
10	6003-3	SML60033	HAIR PIN COTTER	2
11	47904-1	SML479041	SPACER, Tube, 7/8 I.D. X 1-1/8 O.D. X .53 inches long	2
12	6090-70	00374890	SCREW, Cap, 20MM-2.5 x 60MM	8
13	G11500166	09847025	WASHER, Lock, 20MM	8
14	G120396	00087364	WASHER, Flat, 1/2, SAE	4
15	35825-2	SML358252	SPACER, Tube, 9/16 ID x 7/8 OD x 13/16 Long	2
16	G131018	00116150	WASHER, Flat, 7/8 SAE	2
17	45584-2	SML455842	SPACER, Tube, 13/16 I.D. X 1-1/4 O.D. X 1/2 Long	2