

## QUICK ATTACH DEVICE, SKID STEER COMPATIBLE ATTACHMENT FOR 7210, 7309 , 7310 & 7410HD LOADERS

Quick attach device can be installed using tools ordinarily available.

Torque all hardware to specifications listed in loader operator's manual.

Shut off the tractor engine and engage the tractor brakes during installation.

Only quick attach, skid steer compatible attachments can be used with the quick attach device. Pin on style attachments can be used on the loader, but necessitate removal of the quick attach device and relocation of the bucket level indicator.

All references to left and right used in these instructions are as they would appear to the operator standing at the rear of the unit facing forward.

Quick attach device is pre-assembled at the factory.

### INSTALLING QUICK ATTACH DEVICE (Figure 1 & 2)



**WARNING:** Always use a drift and hammer made of non-sparking material (a shot-filled mallet is recommended) to install or remove pins. A steel hammer or drift could generate flying metal fragments and result in injury. Always wear safety glasses when using a hammer to remove or install pins.

1. Unband the quick attach device (1) and wood blocks (refer to figure 1).
2. Fasten quick attach device (1) to lower boom arms and loader bucket cylinders using 1-1/4 x 5-1/4 attachment pins, 3/8 x 3/4 shoulder bolts and 3/8 lock nuts (supplied with loader). Pins must be installed from outside of quick attach device ( refer to figure 2).
3. Attach bucket indicator level rod to quick attach device and secure with hardware supplied with loader (refer to figure 2).

### MOUNTING ATTACHMENT TO LOADER (Figure 1 & 2)



**WARNING:** To avoid injury during installation of the loader attachment, do not allow bystanders within 10 feet of loader or attachment.

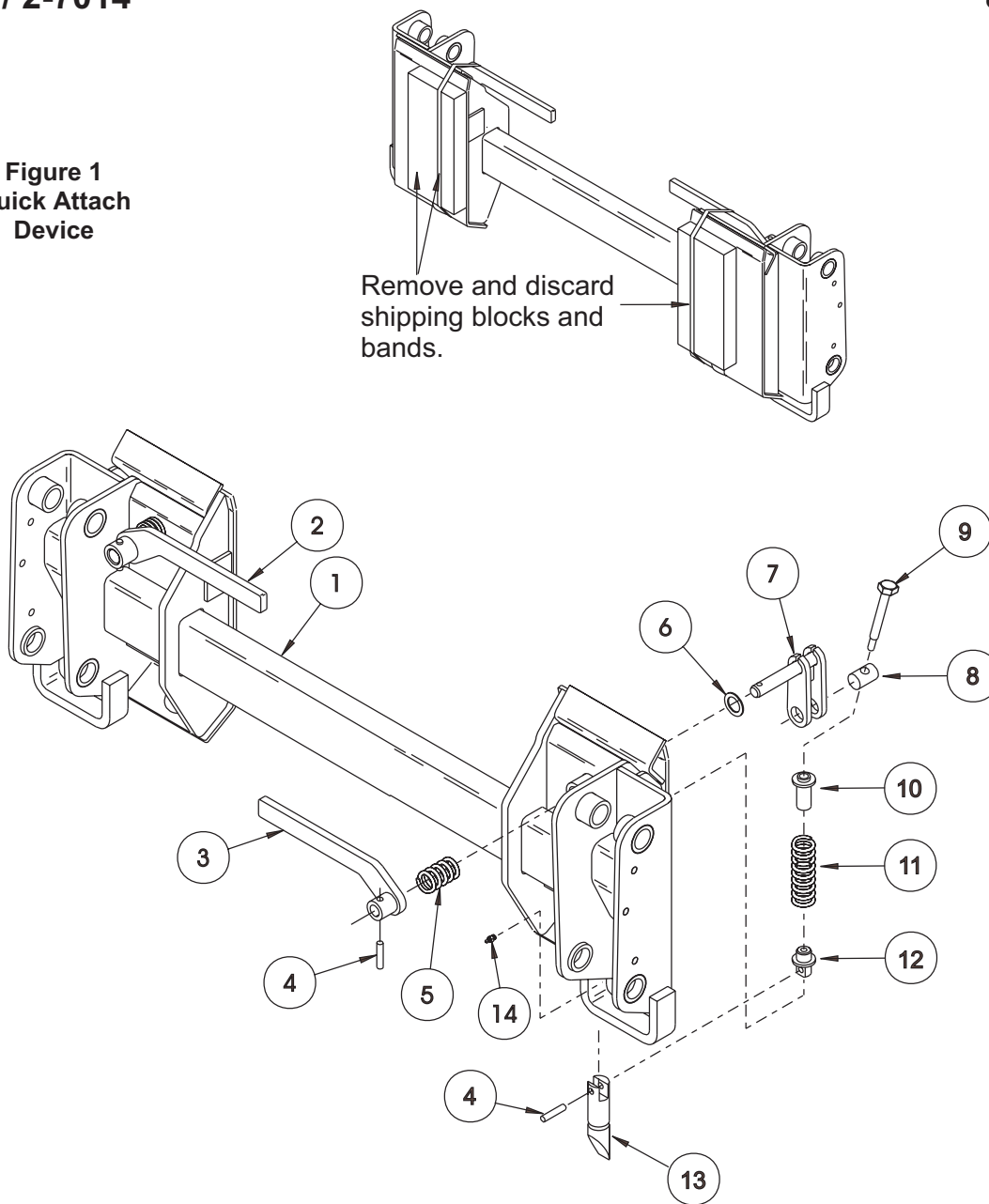
1. Locate tractor and attachment on level ground. Lower boom to rest on the ground. Extend the bucket cylinders slightly, while raising the boom to provide three to five inches of ground clearance, drive the tractor ahead slowly toward the attachment, aligning the loader quick attach device as shown in figure 2.

**NOTE:** To help guide loader quick attach device into attachment, alignment reflective tape (15) has been applied to back of attachment as shown in figure 2.

2. While driving the tractor ahead slowly to maintain contact with the attachment, activate the lift cylinders to raise the loader until the quick attach engages under the attachment lip.
3. Then activate bucket cylinders to retract, continuing to roll the attachment back completely.
4. Place tractor in neutral, set parking brake, shut off tractor. Move latch pin handles to latch (down) position (refer to figure 2).
5. Start tractor activate lift cylinders to raise attachment one or two feet off the ground and extend bucket cylinders to tilt attachment at a slight downward angle, so quick attachment latch pins are visible. Visually inspect the attachment mechanism to verify that the pins are engaged through the latch plate on the back of the attachment.

**NOTE:** If the attachment is not securely attached, follow the instructions for detaching it and repeat the above procedure.

Figure 1  
Quick Attach  
Device



ITEM	SMC NO.	NH NO.	DESCRIPTION	QTY.
1	46603	86604772	MAIN FRAME ASSEMBLY	1
2	43535-1	86604773	HANDLE ASSEMBLY, Left	1
3	43535-2	86604774	HANDLE ASSEMBLY, Right	1
4	6088-1	86616372	PIN, 3/8 x 1-3/4	4
5	6043-25	86604775	SPRING	2
6	6120-15	86582378	BUSHING	2
7	43530	86604777	PIVOT ASSEMBLY	2
8	43499	9829733	PIVOT PIN	2
9	49827	86506112	CAP SCREW, Adjustment	2
10	43501	86610166	SPRING GUIDE	2
11	43538	86610167	SPRING	2
12	43502	86510869	CONNECTOR PIN	2
13	43498	86575348	LATCH PIN	2
14	6075-4	87414	FITTING, Grease, 1/4-28	2
15	46979-1	86582385	TAPE, Reflective, Alignment, White, 14"	4

716653116  
86579616

**DETACHING QUICK ATTACH DEVICE**  
(Figure 1 & 2)

2-7328

2-6587 / 2-7014

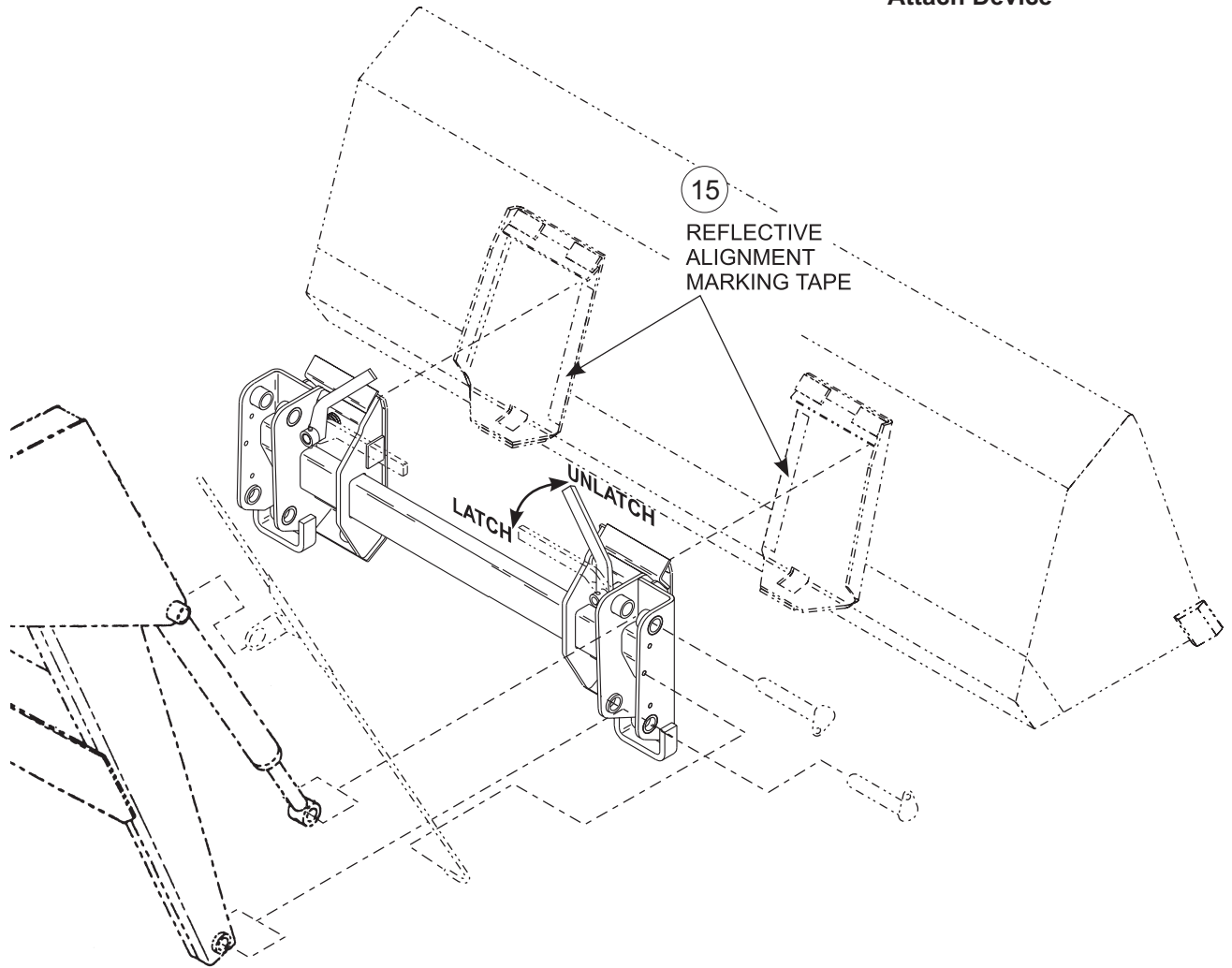


**WARNING:** To avoid injury during installation of the loader attachment, do not allow bystanders within 10 feet of loader or attachment.

1. Locate tractor and loader on level ground.
2. Lower boom arms until the attachment is level and resting on ground.

3. Place tractor in neutral, set parking brake, shut off tractor engine and disengage quick attach device latch pins by moving handles to unlatch position (refer to figure 2).
4. Start tractor engine, release brake and extend bucket cylinders while slowly backing the tractor away from attachment, until quick attach disengages from attachment.

**Figure 2**  
**Mounting Quick**  
**Attach Device**



# **INSTALLATION INSTRUCTIONS**