

Keep with Operators Manual

## GRILLE GUARD

### NEW HOLLAND 7310 & 52LA OR 2410 & 5211 LOADERS NEW HOLLAND TRACTORS

	2WD	4WD	Less Cab	With Cab
TL70	X	X	X	X
TL80	X	X	X	X
TL90	X	X	X	X
TL100	X	X	X	X

Guard can be installed using tools ordinarily available.

Grille guard is designed to fit tractors with front weight brackets and weights, if so equipped.

- Attach grille guard assembly (8) to lower support brackets (7) using 1/2 x 1-1/2 cap screws (1), 1/2 flat washers (2), spacer tubes (3) and 1/2 lock nuts (9).

#### INSTALLING GRILLE GUARD (Figure 1)

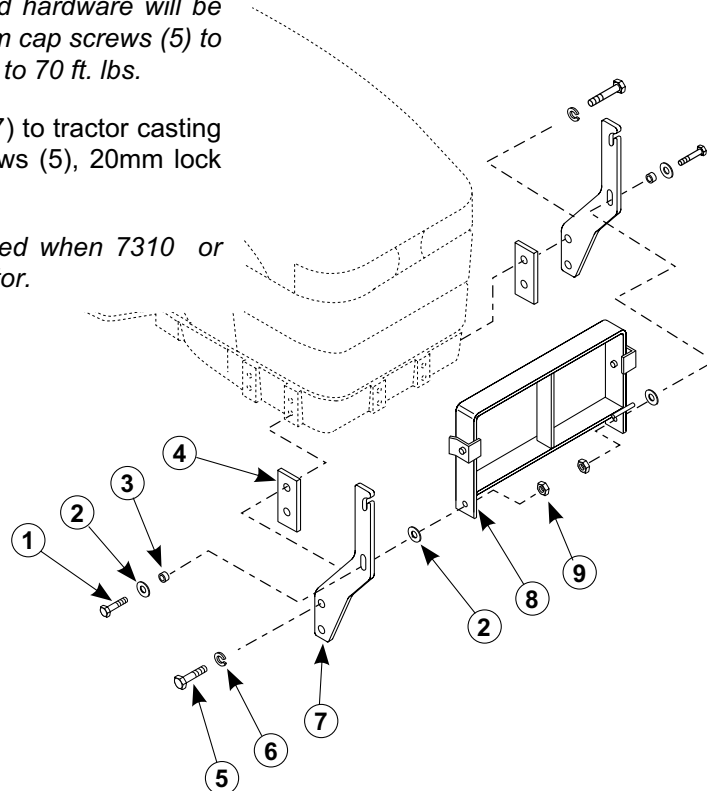
**NOTE:** Leave all attaching hardware loose until Grille Guard is completely assembled to facilitate assembly and proper alignment. Grille Guard hardware will be torqued later to the following: 20mm cap screws (5) to 300 ft. lbs. and 1/2" cap screws (1) to 70 ft. lbs.

- Install lower support brackets (7) to tractor casting using 20mm x 60mm cap screws (5), 20mm lock washers (6) and spacers (4).

**NOTE:** Spacers are not required when 7310 or 2410 loader is mounted on tractor.

#### OPENING HOOD

To open hood lift guard and tilt guard forward away from tractor hood.



**Figure 1**  
Installing Guard

ITEM	SMC NO.	NH NO.	DESCRIPTION	QTY.
1	G180177	87689	SCREW, Cap, 1/2-13 x 1-1/2	2
2	G120396	87364	WASHER, Flat, 1/2	4
3	47427-1	86582387	SPACER, Tube	2
4	43786	86582388	SPACER	2
5	6090-70	374890	SCREW, Cap, 20mm-2.50 x 60mm	4
6	G11500166	9847025	WASHER, Lock, 20mm	4
7	47419	86582389	BRACKET, Lower support	2
8	47420	86582390	GRILLE GUARD ASSEMBLY	1
9	G9414074	9636698	NUT, Lock, 1/2-13	2

2-6666  
2-6956

715824026  
715824056

# **INSTALLATION INSTRUCTIONS**