

Keep With Operator's Manual

## SPILL GUARD FOR GRAPPLE FORK

### MOUNTING SPILL GUARD (Figure 1)

Spill Guard can be installed using tools ordinarily available. Shut off tractor engine and engage tractor brakes during installation.

1. Remove Spill Guard (1) from pallet.
2. Center spill guard (1) over top of bucket and mark holes to be drilled. Remove spill guard (1) and drill three 13/32" (.41") holes. Install grill guard (1) using 3/8-16 x 1" cap screws (4), flat washers (3), and lock nuts (5) as shown in figure 1.

3. Install two braces (2) between top of spill guard (1) and grapple fork uprights with 3/8-16 x 1 cap screws (4), 3/8 flat washers (3), 3/8-16 lock nuts (5).
4. Tighten 3/8-16 Grade 5 hardware to 26-28ft. lbs. (35-38Nm) torque. Tighten and torque all hardware to specifications shown in general torque specifications table.

### SPILL GUARD ASSEMBLY (Figure 1)

Item	SMC No.	NH No.	Case IH No.	Description	Qty.
1	47504	SML47504	SML47504	SPILL GUARD	1
2	48366	SML48366	SML48366	ANGLE, Spill Guard Support Strut	2
3	52502-8	80702	495-21044	WASHER, Flat, 3/8"	7
4	41838-11	88206	413-616	SCREW, Cap, 3/8-16 x 1", Grade 5	7
5	41840-3	9637692	231-4246	NUT, Lock, 3/8-16	7

## GENERAL TORQUE SPECIFICATIONS

USE THE FOLLOWING TORQUES WHEN SPECIAL TORQUES ARE NOT GIVEN

### Standard American and Metric Cap Screws




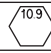
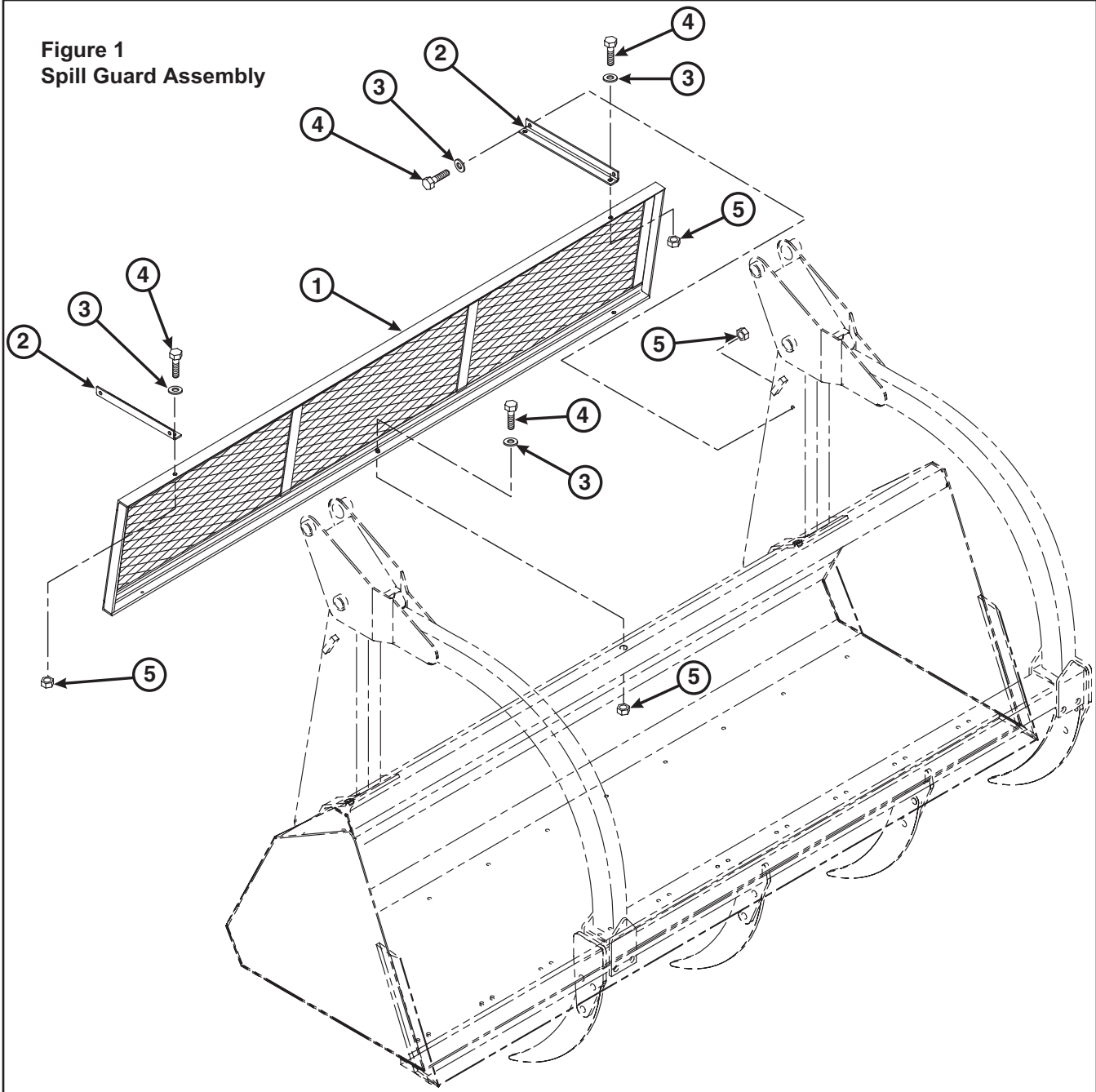
AMERICAN STANDARD CAP SCREWS										METRIC CAP SCREWS							
SAE Grade	5				8				Metric Class	8.8				10.9			
Typ. Head Markings									Typ. Head Markings								
Cap Screw	TORQUE				TORQUE				Cap Screw	TORQUE				TORQUE			
Size	FT-LBS		N-m		FT-LBS		N-m		Size	FT-LBS		N-m		FT-LBS		N-m	
Inches	MIN	MAX	MIN	MAX	MIN	MAX	MIN	MAX	Millimeters	MIN	MAX	MIN	MAX	MIN	MAX	MIN	MAX
1/4 - 20	6.25	7.25	8.5	10	8.25	9.5	11	13	M6 x 1.00	6	8	8	11	9	11	12	15
1/4 - 28	8	9	11	12	10.5	12	14	16	M8 x 1.25	16	20	21.5	27	23	27	31	36.5
5/16 - 18	14	15	19	20	18.5	20	25	27	M10 x 1.50	29	35	39	47	42	52	57	70
5/16 - 24	17.5	19	23	26	23	25	31	34	M12 x 1.75	52	62	70	84	75	91	102	123
3/8 - 16	26	28	35	38	35	37	47.5	50	M14 x 2.00	85	103	115	139	120	146	163	198
3/8 - 24	31	34	42	46	41	45	55.5	61	M16 x 2.50	130	158	176	214	176	216	238	293
7/16 - 14	41	45	55.5	61	55	60	74.5	81	M18 x 2.50	172	210	233	284	240	294	325	398
7/16 - 20	51	55	69	74.5	68	75	92	102	M20 x 2.50	247	301	335	408	343	426	465	577
1/2 - 13	65	72	88	97.5	86	96	116	130	M22 x 2.50	332	404	450	547	472	576	639	780
1/2 - 20	76	84	103	114	102	112	138	152	M24 x 3.00	423	517	573	700	599	732	812	992
9/16 - 12	95	105	129	142	127	140	172	190	M27 x 3.00	637	779	863	1055	898	1098	1217	1488
9/16 - 18	111	123	150	167	148	164	200	222	M30 x 3.00	872	1066	1181	1444	1224	1496	1658	2027
5/8 - 11	126	139	171	188	168	185	228	251	<b>NOTE:</b> These values apply to fasteners as received from supplier, dry or when lubricated with normal engine oil. They do not apply if special graphite or molybdenum greases or other extreme lubricants are used.								
5/8 - 18	152	168	206	228	203	224	275	304									
3/4 - 10	238	262	322	355	318	350	431	474									
3/4 - 16	274	305	371	409	365	402	495	544									
7/8 - 9	350	386	474	523	466	515	631	698									
7/8 - 14	407	448	551	607	543	597	736	809									
1 - 8	537	592	728	802	716	790	970	1070									
1 - 14	670	740	908	1003	894	987	1211	1337									

Figure 1  
Spill Guard Assembly



# INSTALLATION INSTRUCTIONS