

Keep With Operator's Manual

QUICK ATTACH DEVICE, SKID STEER ATTACHMENT COMPATIBLE SMC 2409 LOADERS

Quick attach device can be installed using tools ordinarily available.

Torque all hardware to specifications listed in loader operator's manual.

Shut off the tractor engine and engage the tractor brakes during installation.

Only quick attach, skid steer compatible attachments can be used with the quick attach device. Pin on style attachments can be used on the loader, but necessitate removal of the quick attach device and relocation of the bucket level indicator.

All references to left and right used in these instructions are as they would appear to the operator standing at the rear of the unit facing forward.

ASSEMBLING QUICK ATTACH DEVICE (Figure 1)

1. Quick attach device is pre-assembled at the factory.
2. Unband the quick attach device (1) and wood blocks.

INSTALLING QUICK ATTACH DEVICE (Figures 1 & 2)



WARNING: Always use a drift and hammer made of non-sparking material (a shot-filled mallet is recommended) to install or remove pins. A steel hammer or drift could generate flying metal fragments and result in injury. Always wear safety glasses when using a hammer to remove or install pins.

1. Fasten quick attach device to lower boom arms and bucket tilt cylinders using 1x 4-3/8 anti-rotation pins, 3/8 x 3/4 shoulder bolts, and 3/8 lock nuts (supplied with loader). Refer to figure 2.
2. Attach bucket leveling rod indicator (supplied with loader), to outside of right ear on quick attach as shown in figure 2. Secure bucket leveling rod indicator with two 1/8 x 1 cotter pins (supplied with loader).

MOUNTING ATTACHMENT TO LOADER (Figures 1 & 2)



WARNING: To avoid injury during installation of the loader attachment, do not allow bystanders within 10 feet of loader or attachment.

1. Locate tractor and attachment on level ground. Lower boom to rest on the ground. Extend the bucket cylinders slightly, while raising the boom to provide three to five inches of ground clearance, drive the tractor ahead slowly toward the attachment, aligning the loader quick attach device as shown in figure 2.
2. While driving the tractor ahead slowly to maintain contact with the attachment, activate the lift cylinders to raise the loader until the quick attach engages under the attachment lip.
3. Then activate bucket cylinders to retract, continuing to roll the attachment back completely.
4. Place tractor in neutral, set parking brake, shut off tractor. Move latch pin handles to latch (down) position (refer to figure 2).
5. Start tractor activate lift cylinders to raise attachment one or two feet off the ground and extend bucket cylinders to tilt attachment at a slight downward angle, so quick attachment latch pins are visible. Visually inspect the attachment mechanism to verify that the pins are engaged through the latch plate on the back of the attachment.

NOTE: If the attachment is not securely attached, follow the instructions for detaching it and repeat the above procedure.

DETACHING QUICK ATTACH DEVICE (Figures 1 & 2)



WARNING: To avoid injury during installation/removal of the loader attachment, do not allow bystanders within 10 feet of loader or attachment.

1. Locate tractor and loader on level ground.
2. Lower boom arms until the attachment is level and resting on ground.
3. Place tractor in neutral, set parking brake, shut off tractor engine and disengage quick attach device latch pins by moving handles to unlatch position.
4. Start tractor engine, release brake and extend bucket cylinders while slowly backing the tractor away from attachment, until quick attach disengages from attachment.

PARTS LIST - MOUNTING KIT

Item	Part No.	Description	Qty.
1	48695	FRAME ASSEMBLY	1
2	48686	HANDLE	2
3	6075-4	FITTING, Grease, 1/4-28	4
4	G9413315	SPRING PIN, 1/4 X 1-1/2	2
5	6543-7	NUT, Jam, 1/2	2
6	47408-1	DISC SPRING	2
7	47615	PIVOT ASSEMBLY	2
8	47394	PIVOT PIN	2
9	41903-1	COTTER PIN 5/32 X 1	2
10	47618	SPADE BOLT ASSEMBLY	2
11	47614	SPRING	2
12	41902-14	CLEVIS PIN	2
13	48687	LATCH PIN	2
14	47526	SPRING GUIDE ASSEMBLY	2
15	55580	SHEET, DECAL (Includes two decals)	1

Figure 1
Quick Attach Device

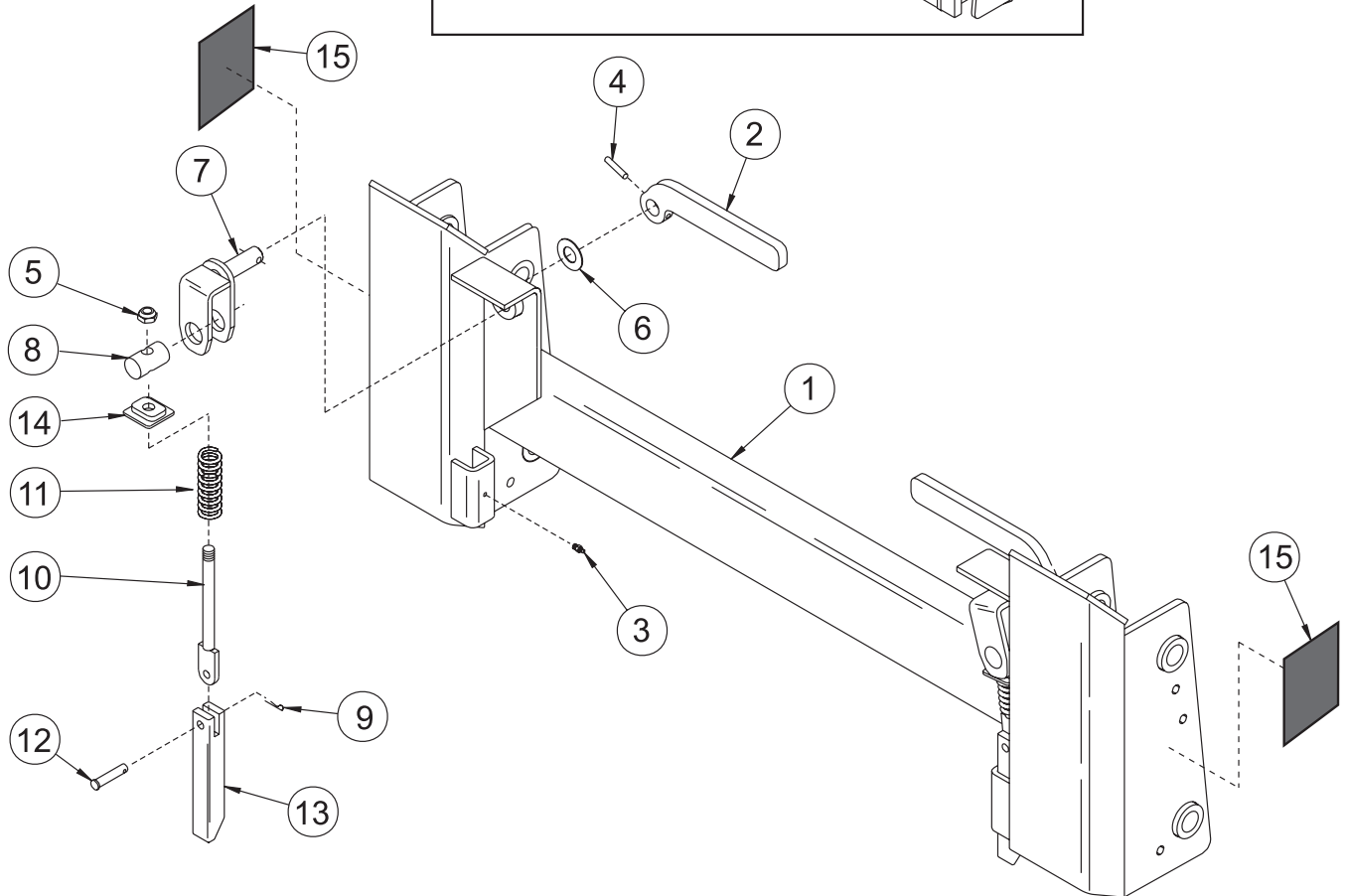
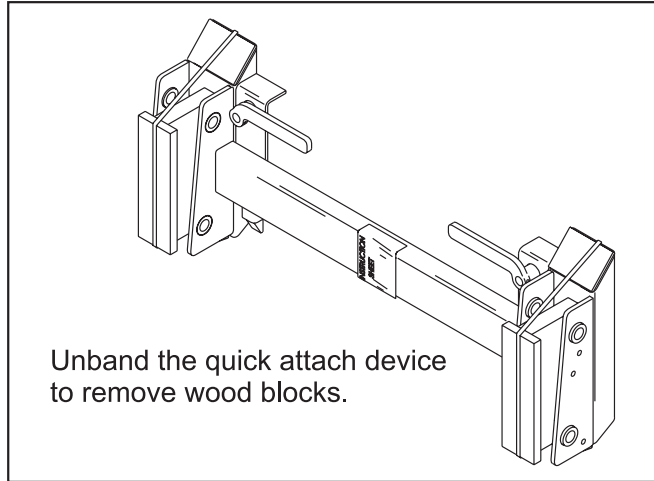
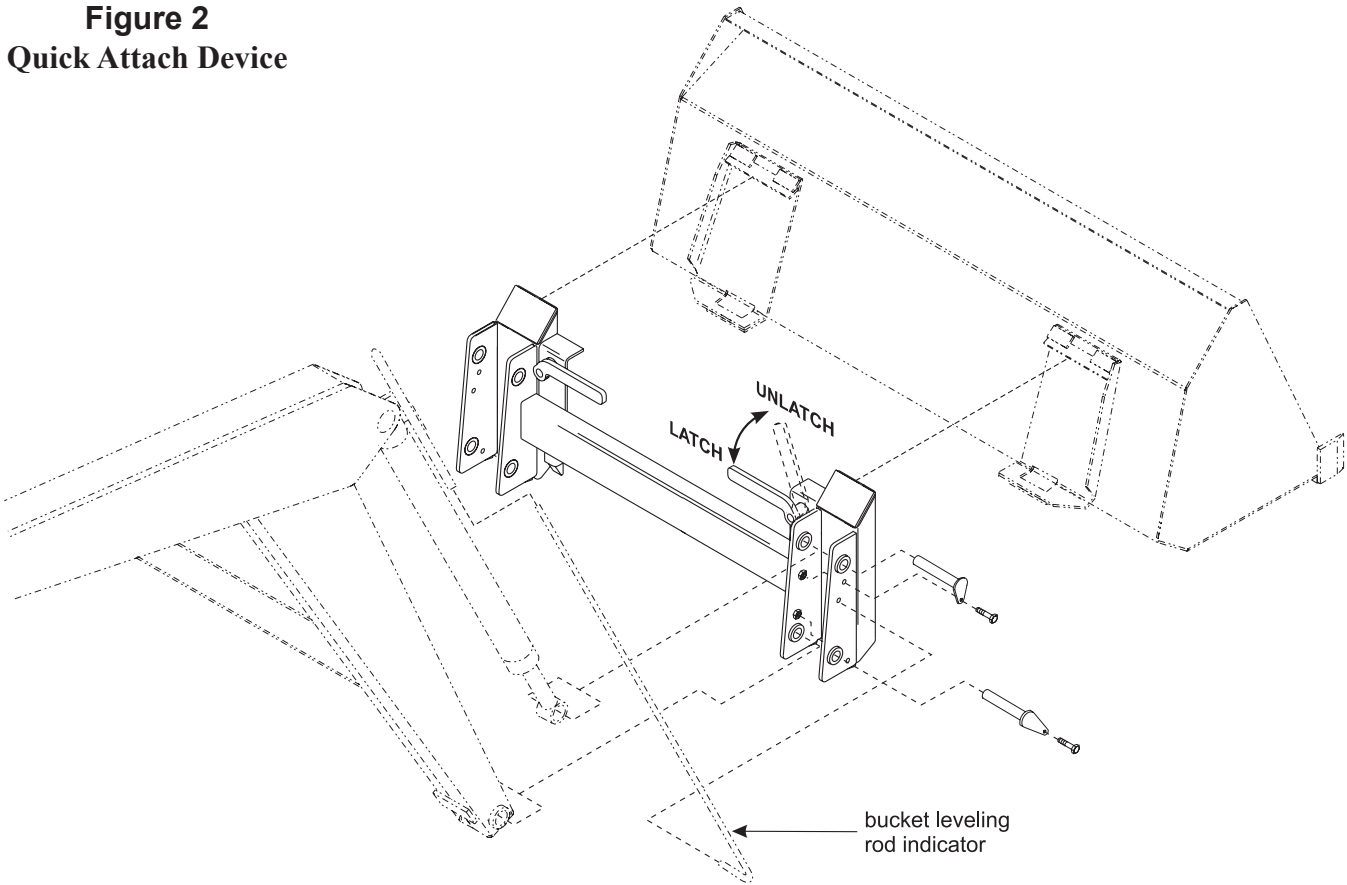


Figure 2
Quick Attach Device



GENERAL TORQUE SPECIFICATIONS

USE THE FOLLOWING TORQUES WHEN SPECIAL TORQUES ARE NOT GIVEN

Standard American and Metric Cap Screws

AMERICAN STANDARD CAP SCREWS									METRIC CAP SCREWS								
SAE Grade	5				8				Metric Class	8.8				10.9			
Typ. Head Markings									Typ. Head Markings								
Cap Screw	TORQUE				TORQUE				Cap Screw	TORQUE				TORQUE			
Size	FT-LBS		N-m		FT-LBS		N-m		Size	FT-LBS		N-m		FT-LBS		N-m	
Inches	MIN	MAX	MIN	MAX	MIN	MAX	MIN	MAX	Millimeters	MIN	MAX	MIN	MAX	MIN	MAX	MIN	MAX
1/4 - 20	6.25	7.25	8.5	10	8.25	9.5	11	13	M6 x 1.00	6	8	8	11	9	11	12	15
1/4 - 28	8	9	11	12	10.5	12	14	16	M8 x 1.25	16	20	21.5	27	23	27	31	36.5
5/16 - 18	14	15	19	20	18.5	20	25	27	M10 x 1.50	29	35	39	47	42	52	57	70
5/16 - 24	17.5	19	23	26	23	25	31	34	M12 x 1.75	52	62	70	84	75	91	102	123
3/8 - 16	26	28	35	38	35	37	47.5	50	M14 x 2.00	85	103	115	139	120	146	163	198
3/8 - 24	31	34	42	46	41	45	55.5	61	M16 x 2.50	130	158	176	214	176	216	238	293
7/16 - 14	41	45	55.5	61	55	60	74.5	81	M18 x 2.50	172	210	233	284	240	294	325	398
7/16 - 20	51	55	69	74.5	68	75	92	102	M20 x 2.50	247	301	335	408	343	426	465	577
1/2 - 13	65	72	88	97.5	86	96	116	130	M22 x 2.50	332	404	450	547	472	576	639	780
1/2 - 20	76	84	103	114	102	112	138	152	M24 x 3.00	423	517	573	700	599	732	812	992
9/16 - 12	95	105	129	142	127	140	172	190	M27 x 3.00	637	779	863	1055	898	1098	1217	1488
9/16 - 18	111	123	150	167	148	164	200	222	M30 x 3.00	872	1066	1181	1444	1224	1496	1658	2027
5/8 - 11	126	139	171	188	168	185	228	251	<p>NOTE: These values apply to fasteners as received from supplier, dry or when lubricated with normal engine oil. They do not apply if special graphite or moly sulphide greases or other extreme lubricants are used.</p>								
5/8 - 18	152	168	206	228	203	224	275	304									
3/4 - 10	238	262	322	355	318	350	431	474									
3/4 - 16	274	305	371	409	365	402	495	544									
7/8 - 9	350	386	474	523	466	515	631	698									
7/8 - 14	407	448	551	607	543	597	736	809									
1 - 8	537	592	728	802	716	790	970	1070									
1 - 14	670	740	908	1003	894	987	1211	1337									

INSTALLATION INSTRUCTIONS