

Keep with Operators Manual

**GRILLE GUARD
2409 LOADER
JOHN DEERE 4500, 4510, 4600, 4610, 4700 & 4710 TRACTORS**

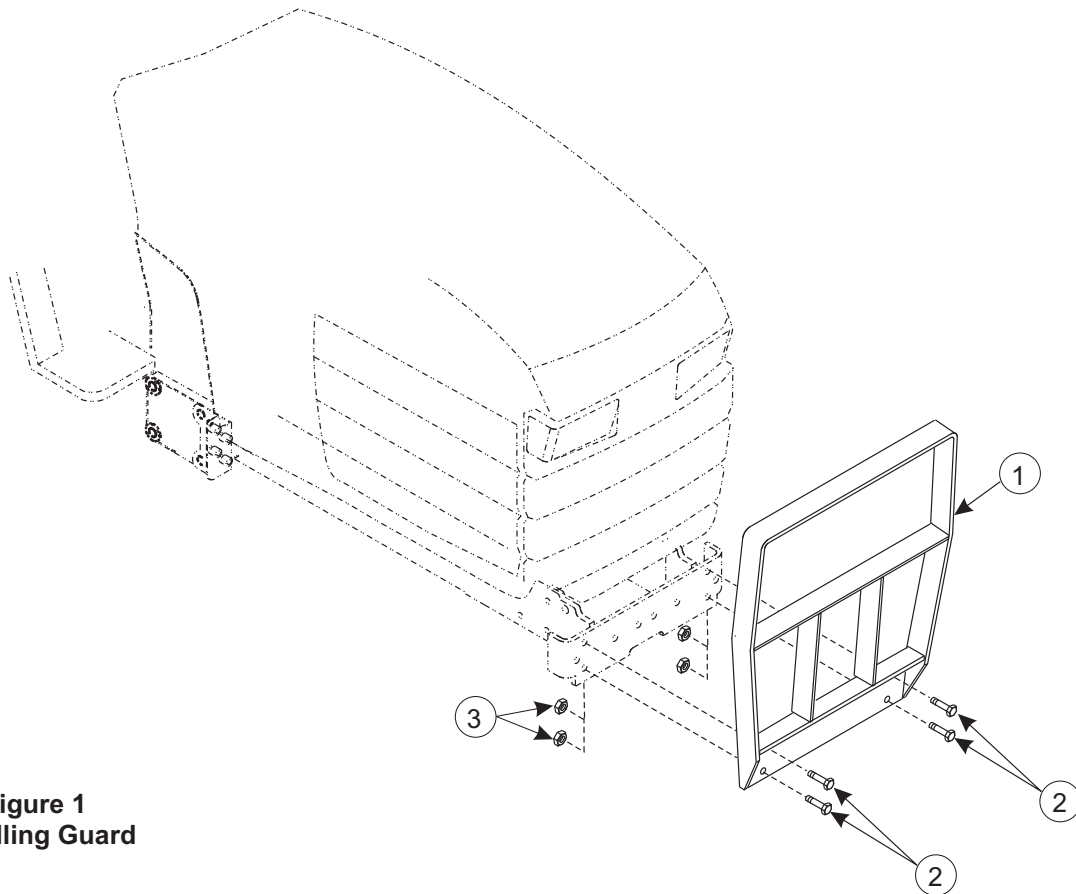
Guard can be installed using tools ordinarily available.

Torque all hardware to specifications listed in loader operator's manual.

NOTE: *Grille guard will not fit with tractor front end weights.*

INSTALLING GRILLE GUARD (Figure 1)

1. Install grille guard (1) to tractor frame using 1/2-13 x 1-1/2 cap screws (2) and 1/2-13 lock nuts (3).



**Figure 1
Installing Guard**

ITEM	PART NO.	DESCRIPTION	QTY.
1	49027	GRILLE GUARD ASSEMBLY	1
2	G180177	SCREW, Cap, 1/2-13 x 1-1/2, Grade 5	4
3	G9414074	NUT, Lock, 1/2-13, Type N	4

INSTALLATION INSTRUCTIONS