

Keep with Operators Manual

GRILLE GUARD
KUBOTA M6800, M8200, & M9000 TRACTORS

NOTE: Grille guard is not compatible with M8200 & M9000 loader mounting (2-7127)

Guard can be installed using tools ordinarily available.

Torque all hardware to specifications listed in loader operator's manual.

NOTE: Grille guard will not fit with tractor front end weights.

INSTALLING GRILLE GUARD (Figure 1)

1. Install grille guard (1) to tractor frame using 16MM x 35MM cap screws (2) and 5/8 lock washers (3). Secure grille guard (1) to tractor side frame using 9/16-12 x 2 cap screws (4), flat washers (6) and lock nuts (5).

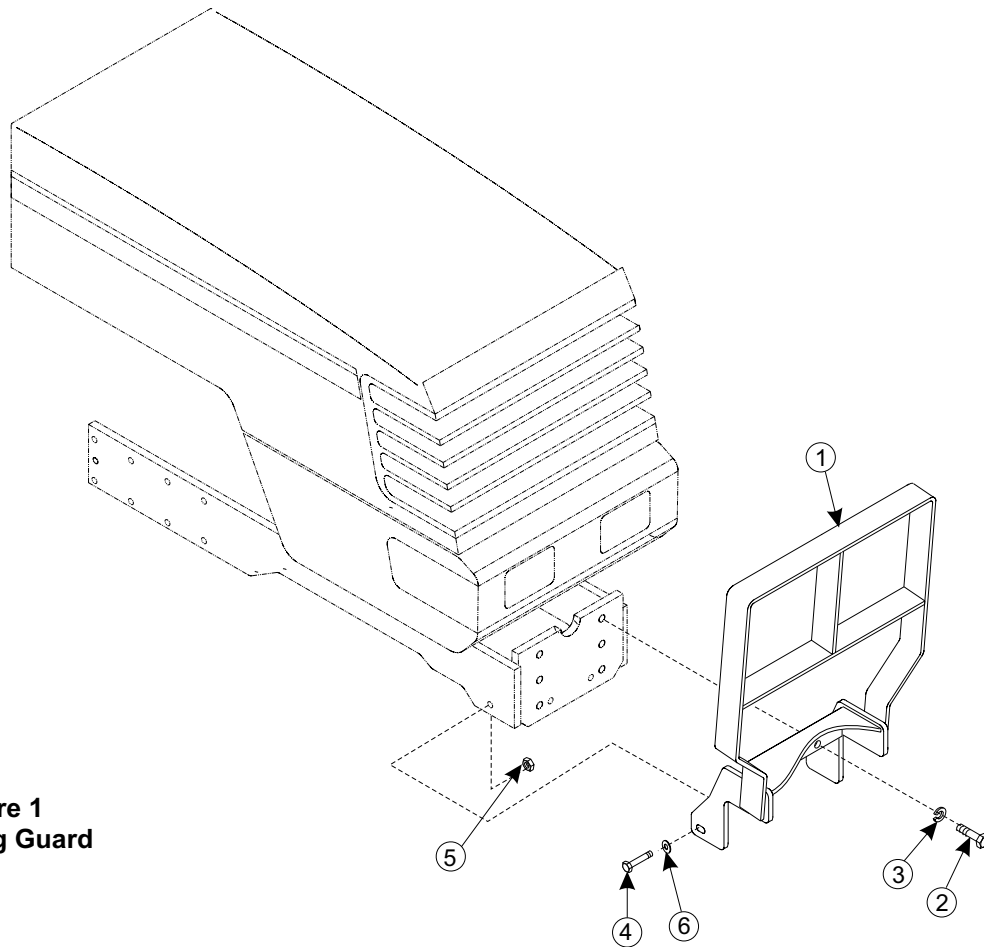


Figure 1
Installing Guard

ITEM	PART NO.	DESCRIPTION	QTY.
1	49145	GRILLE GUARD ASSEMBLY	1
2	6090-6	SCREW, Cap, 16MM-1.5MM x 35MM	2
3	G121574	WASHER, Lock, 5/8	2
4	G180218	SCREW, Cap, 9/16-12 x 2	2
5	G9419243	NUT, Lock, 9/16-12	2
6	G121458	WASHER, Flat, 9/16	2

INSTALLATION INSTRUCTIONS