

Keep With Operator's Manual

**LOADER MOUNTING KIT  
2410 LOADER  
KUBOTA TRACTORS**

MODEL	2WD	FWA	ROPS	CAB
M4800SU	X		X	
M4800		X	X	
M4900	X	X	X	X
M5700	X	X	X	X

**GENERAL INFORMATION**

Mounting brackets can be installed using tools ordinarily available, including an overhead hoist with sling, standard and metric wrenches, and a torque wrench.

A compatible valve and plumbing kit or hose kit is required to plumb loader to tractor hydraulics, which are required to power loader for mounting and operation. It must be installed as part of initial loader mounting, but after mounting brackets have been installed. Instructions are provided later in "Installing Loader to Mounting Brackets" section and with valve & plumbing or hose kit.

Check tire clearances when loader installation is complete and adjust tractor tread width or steering stops, if necessary, to provide adequate tire clearance.

Shut off tractor engine and engage tractor brakes during installation.

**INSTALLING LOADER MOUNTING BRACKETS  
(Figure 1)**

**NOTE:** Leave all attaching hardware loose until mounting brackets are completely assembled to facilitate assembly and proper alignment. Tighten all hardware to torques specified in loader operator's manual.

1. Install front mounting bracket (1) using 16mm x 35mm cap screws (14) and 5/8" lock washers (9).
2. On cab tractor models, it is necessary to relocate the fuel pipe on left side of tractor. Remove fuel pipe bracket from tractor and retain hardware. Replace with mounting plate (23) and secure to tractor using existing hardware. Reattach fuel pipe bracket to mounting plate (23) using 1/4 x 3/4" cap screws (20), 1/4" lock washers (21) and 1/4" nuts (22).

**NOTE:** For ROPS tractors, use spacer plates (8) between mid mounting brackets (3 & 4) and transmission casting of tractor. Attach spacer plates (8) to mid mounting brackets (3 & 4) using 5/8 X 2-

3/4" plow bolts (25) and 5/8" lock nuts (11). Spacer plates (8), plow bolts (25) and 5/8" lock nuts (11) are not required on tractors with cab.

3. Loosely fasten right mid mounting bracket (3) to right side of tractor frame using 18mm x 50 mm cap screws (17) and lock washer (18). Rotate bracket (3) until rear holes align with holes in tractor transmission casting. Place spacers (26) between mid mounting bracket (3) and tractor casting at lower holes.

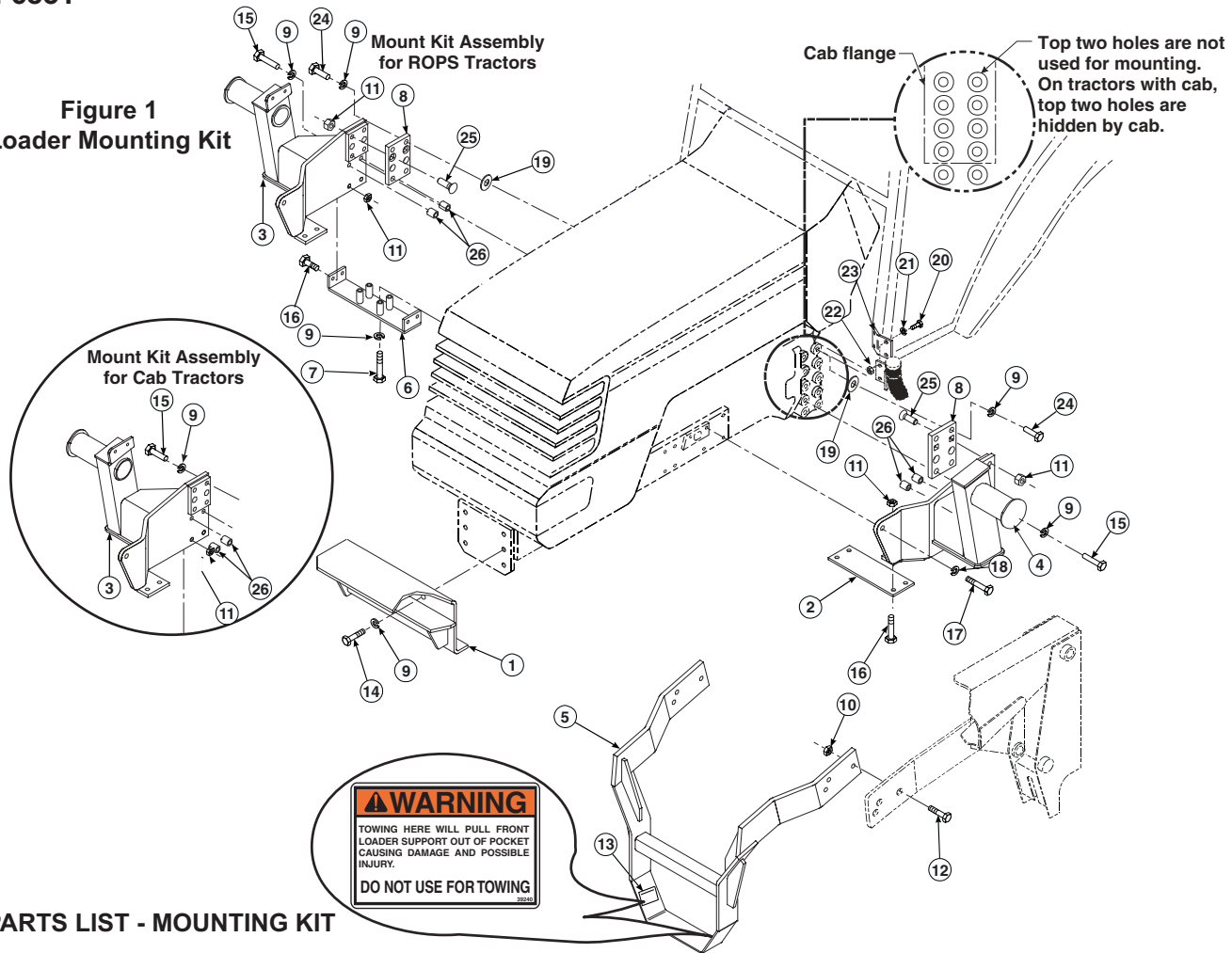
**NOTE:** For ROPS tractors, place 5/8" flat washers (19) between spacer plate (8) and tractor transmission casting. 5/8" flat washers are not required on tractors with cab.

4. Fasten right mid mounting bracket (3) to tractor transmission casting using 16mm x 75mm cap screws (15), 5/8" lock washers (9), and 5/8" flat washers (19). Fasten mid mounting brackets (3 & 4) to tractor frame using 18mm x 50mm cap screws (17) and 18mm lock washers (18).

**NOTE:** For ROPS tractor, use 16mm x 40mm cap screws (24) and 5/8" lock washers (9) in top holes of spacer plates. 5/8" flat washers are not required on tractors with cab.

5. Repeat procedure outlined in instructions 3 and 4 above to fasten left mid mounting bracket (4) to left side of tractor frame and transmission casting.
6. Install front crossmember (2) to right and left mid mounting brackets (3 & 4) using 5/8 x 1-3/4" cap screws (16) and 5/8" lock nuts (11).
7. Install rear crossmember (6) to right and left mid mounting brackets (3 & 4) using 5/8 x 1-3/4" cap screws (16) and 5/8" lock nuts (11).
8. Fasten rear crossmember (6) to under side of tractor transmission casting using 16mm x 100mm cap screws (7) and 5/8" lock washers (9).

Figure 1  
Loader Mounting Kit



**PARTS LIST - MOUNTING KIT**

Item	Part No.	Description	Qty.
1	49116	BRACKET, Front Mounting	1
2	49182	CROSSMEMBER, Front	1
3	49159	BRACKET, Mid Mounting, Right	1
4	49158	BRACKET, Mid Mounting, Left	1
5	49194	BRACKET, Yoke, with Decals (Includes item 13.)	1
6	49119	CROSSMEMBER, Rear	1
7	42672-28	SCREW, Cap, 16mm-1.50 x 100mm	4
8	51895	SPACER, Plate (ROPS Only)	2
9	41837-7	WASHER, Lock, 5/8"	20
10	41840-8	NUT, Lock, 3/4-10	6
11	41840-7	NUT, Lock, 5/8-11 (Use only qty. 8 for tractors equipped with cab.)	12
12	41838-7	SCREW, Cap, 3/4-10 x 2-1/2"	6
13	39240	DECAL, "WARNING, Do Not Use For Towing" (Included with item 5.)	2
14	42672-26	SCREW, Cap, 16mm-1.50 x 35mm	4
15	42672-27	SCREW, Cap, 16mm-1.50 x 75mm	12
16	41838-32	SCREW, Cap, 5/8-11 x 1-3/4"	8
17	42672-29	SCREW, Cap, 18mm-1.50 x 50mm	2
18	48093-1	WASHER, Lock, 18mm	2
19	42502-12	WASHER, Flat, 5/8" (ROPS Only)	8
20	41838-20	SCREW, Cap, 1/4-20 x 3/4"	2
21	41837-1	WASHER, Lock, 1/4"	2
22	41840-11	NUT, Lock, 1/4-20	2
23	49144	MOUNTING PLATE	1
24	42672-35	SCREW, Cap, 16mm-1.50 x 40mm (ROPS Only)	4
25	46671-7	PLOW, Bolt, 5/8-11 x 2-3/4" (ROPS Only)	4
26	49208	SPACER, Tube	4

## INSTALLING LOADER TO MOUNTING BRACKETS

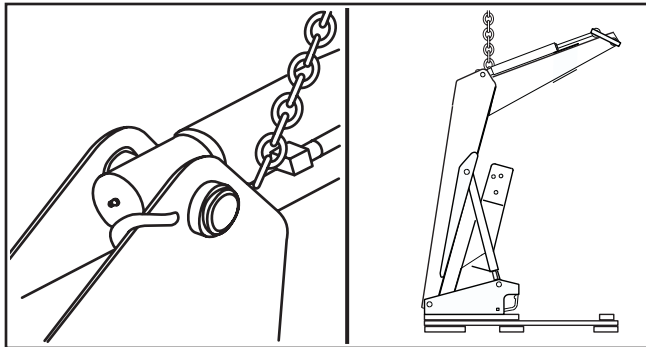


**WARNING:** To avoid injury during installation of quick attach loader, do not permit bystanders within ten feet of loader.

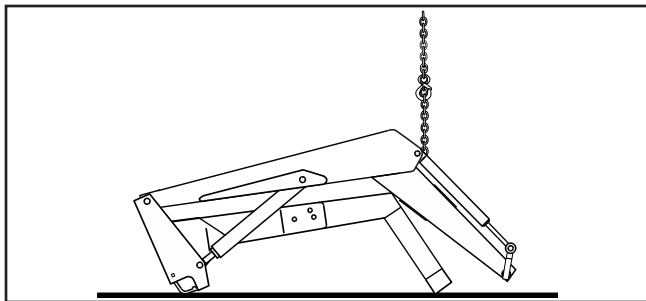
1. Loop chain under each lift cylinder and hook on loader boom arm. Using overhead hoist to support loader remove hardware securing loader to pallet. Lift loader and remove pallet.



**CAUTION:** Do not damage grease fitting on end of cylinder. Be sure chain does not pinch lift cylinder hose.

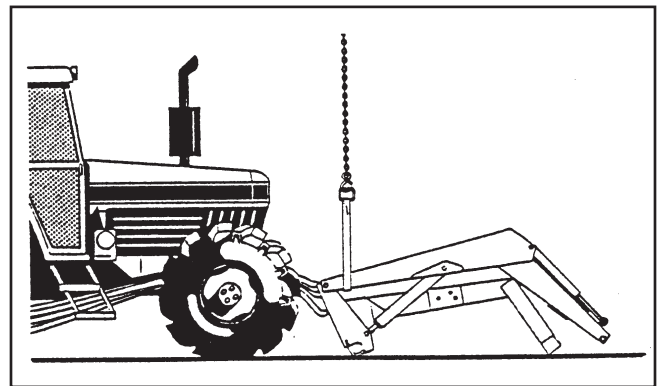


2. Using overhead hoist, lower loader from vertical shipping position to horizontal position leaving enough room to install yoke (scraps of cardboard may be used to protect paint). Install yoke assembly (5) using 3/4 x 2-1/2 cap screws (12) and 3/4 lock nuts (10). Lower loader completely to the ground.

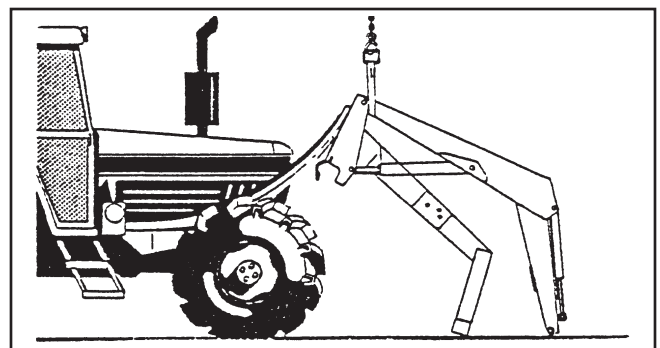


**NOTE:** Hardware connecting yoke to loader side frames should be snug but do not torque completely. After loader has been mounted to tractor and aligned with mid mounting brackets and front mounting brackets, torque hardware to specifications in loader operators manual.

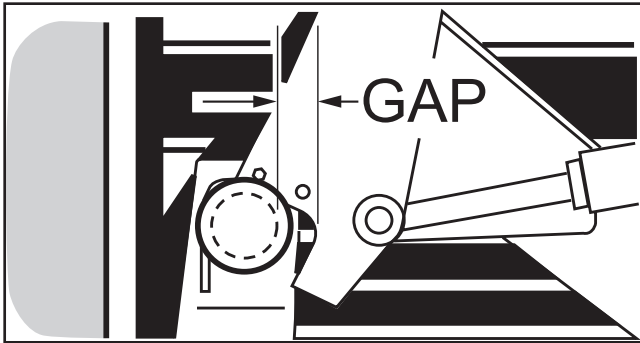
3. Install hose or valve kit to tractor and loader. Refer to assembly manual provided for installation instructions.
4. Position tractor close enough so plumbing can be connected to tractor. Route hoses loosely to allow maximum reach. Using nylon straps reposition overhead hoist to loader boom arms near pivot point to side frames.
5. Operate loader control valve to extend lift cylinders until front yoke is resting on ground and side frame uprights will clear front tires. Shut off tractor engine and engage tractor brakes. Reroute loader hoses to inside of right mid mounting bracket. Remove lock nut and washer from loader hinge and swing each hinge open.



6. Start tractor engine, release tractor brakes and slowly drive forward while operating lift control levers to retract lift cylinders. Position loader so hinges hook over mid mounting tubes. Use of overhead hoist will facilitate positioning loader into mid mounting tubes.



## INSTALLING LOADER TO MOUNTING BRACKETS (Continued)



**IMPORTANT:** Position loader uprights so mid mounting tubes are tight against hinges until loader has finished rotating so loader front bumper tube does not hit lower flange of front mounting channel.

7. With tractor in neutral, retract lift cylinders, bringing side frame up so front yoke tube contacts upper flange of front mounting bracket channel. Move tractor ahead until front yoke tube engages in front mounting channel and upright hinges can clamp around mid mounting tube. Engage tractor brakes and shut off tractor engine.

8. Clamp hinges to midmounting tubes with 3/4 flat washers and 3/4 flex-lock nuts (supplied with loader).

**NOTE:** Only one washer per side is necessary for mounting. Second washer is for shipping purposes only.

**IMPORTANT:** Be sure to use flex-lock nuts to clamp hinge. Tighten flex-lock nuts against hinge securely, but not to more than 125 ft.-lb. torque.

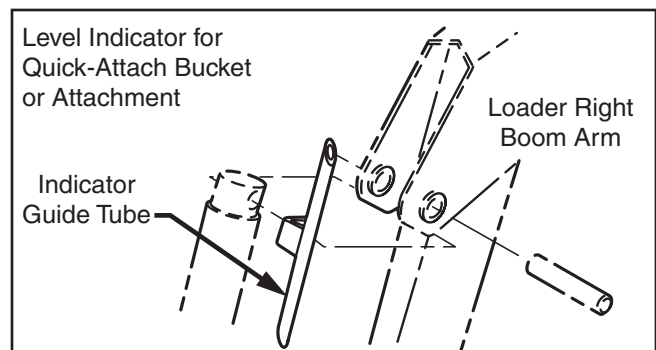
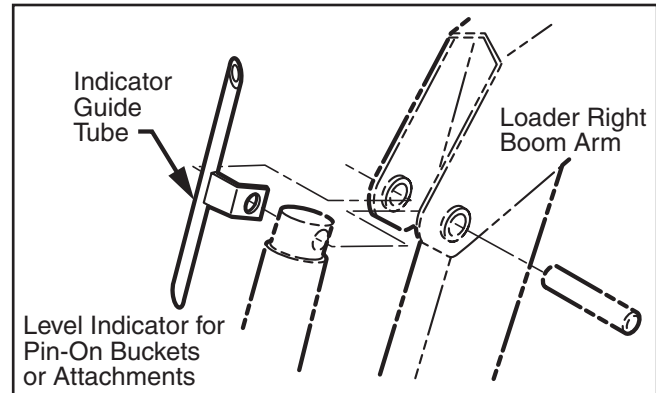
9. Adjust front wheel tread settings or steering stops, if necessary to prevent interference between tires and loader. Refer to tractor operator's manual for adjustment procedures.

## INSTALLING BUCKET OR OPTIONAL ATTACHMENT

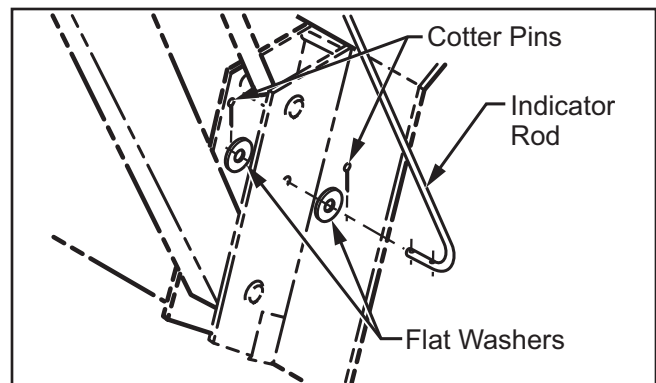
Refer to loader operator's manual for instructions on installing bucket or optional attachment.

## INSTALLING BUCKET LEVEL INDICATOR

1. Attach indicator guide tube to cylinder pin. Guide tube is positioned to outside of boom for pin on attachments and inside of boom when quick attach device is used.



2. Slide bucket level indicator rod through guide tube. Attach other end of rod with 1/8 x 1 cotter pins and 3/8" flat washers. If pin on attachment is used, attach lower end of rod to attachment ear. If quick attach device is used, attach lower end of rod to quick attach device.



3. Locate tractor and loader on level surface. With bottom of bucket resting on surface, cut off excess rod flush with end of guide tube or paint exposed rod a contrasting color.