

Keep With Loader Operator's Manual

QUICK ATTACH BALE SPEAR

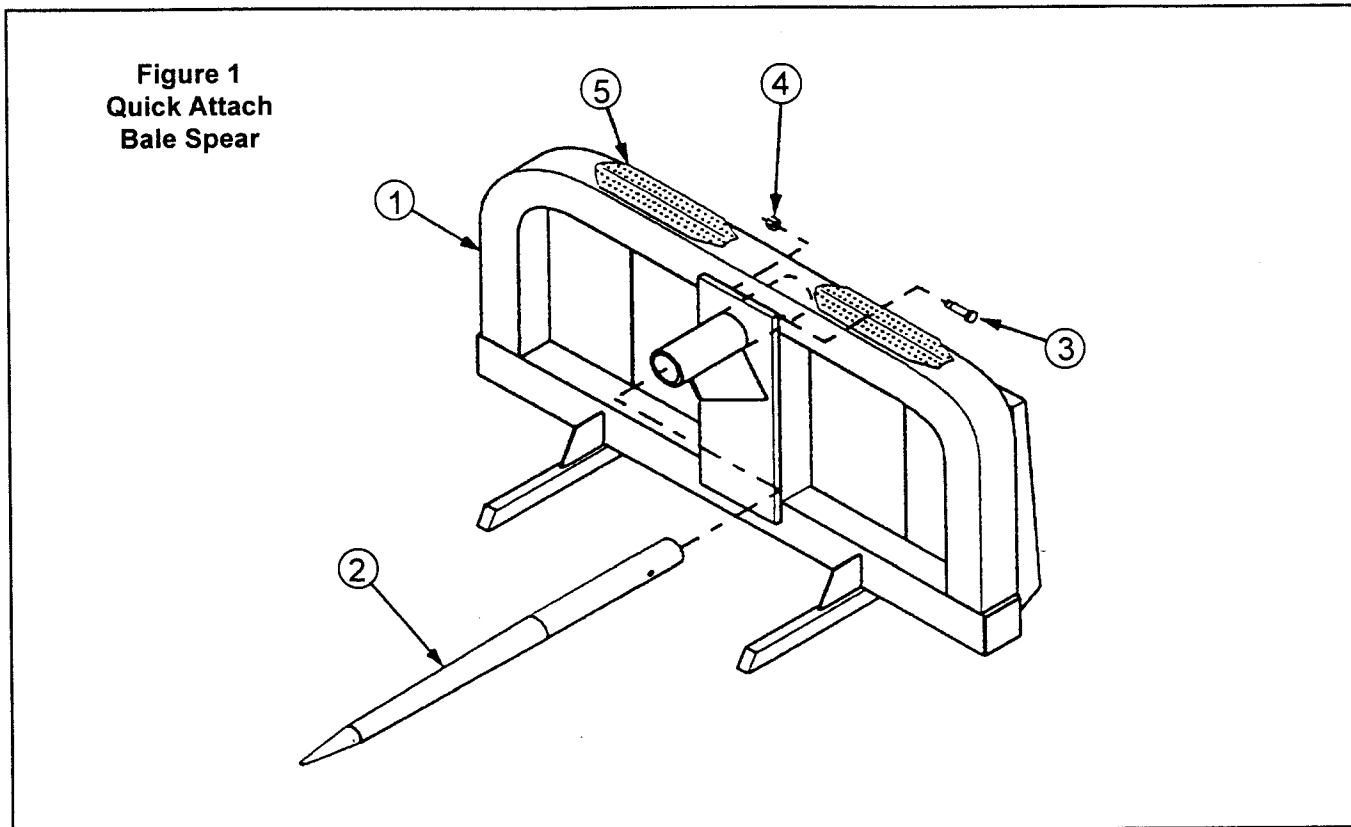


Figure 1
Quick Attach
Bale Spear

Bale spear can be assembled using tools ordinarily available.

ASSEMBLING ROUND BALE SPEAR (Figure 1)

1. Remove banding which secures bale spike (2) to bale spear attachment bracket (1). Temporarily remove 1/2 x 3-1/4 cap screw (3) and lock nut (4).

2. Place spike (2) into sleeve of bale spear bracket (1). Fasten spike to bracket using 1/2 x 3-1/4 cap screw (3) and lock nut (4).



WARNING: Keep bales, bale spear and loader boom clear of overhead lines. Allowing loader boom or any attachment to contact overhead lines may electrify entire tractor and Kill (electrocute) operator.

PARTS LIST - MOUNTING KIT

ITEM	SMC NO.	DESCRIPTION	QTY.
1	*	BRACKET, Round Bale Spear	1
2	40906	SPIKE, Round Bale Spear	1
3	41838-1	SCREW, Cap, 1/2-13 x 3-1/4	1
4	41672-1	NUT, Lock, 1/2-13	1
5	29974	STEP, Anti Slip	2

* Not sold as repair part.