

Keep With Loader Operator's Manual

## SMC 2409 LOADER MOUNTING KIT INSTRUCTIONS KUBOTA TRACTORS

MODEL	2WD	4WD	LESS CAB	WITH CAB
L3600 GST		X	X	X
L3600 DT		X	X	X
L3710 DT		X	X	X
L3710 GST		X	X	X
L3710 HST		X	X	X
L4200 GST		X	X	X
L4200 DT		X	X	X
L4300 DT		X	X	N/A
L4310 DT		X	X	X
L4310 GST		X	X	X
L4310 HST		X	X	X

Mounting brackets can be installed using tools ordinarily available. Shut off tractor engine and engage tractor brakes during installation.

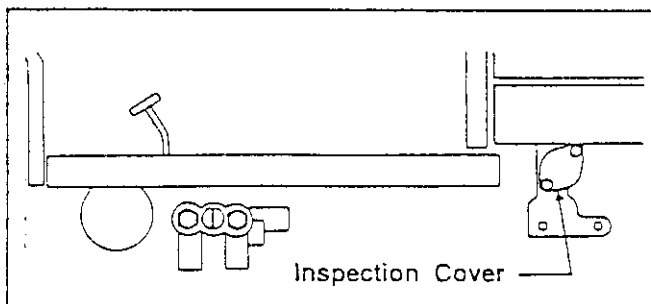
After loader is installed, check to be sure front tires clear loader and mounting brackets in all possible positions. Using tires with diameters larger than standard tires (Front 8.3-16 and rear 14.9-24) is not recommended.

If so equipped, remove weight bracket from front of tractor.

When mounting loader on cab equipped tractor, front signal lights need to be removed and relocated to side of existing mounting location using included light adapter plates (19), 1/4 x 3/4 cap screws (20), and 1/4 lock nuts (17) (see figure 1).

Remove cap screws and inspection cover plate from right side of clutch housing. Leave original gasket in place. Inspection opening will be covered by loader mid-mounting bracket.

**NOTE:** *If inspection cover is recessed into transmission casting, cap screws and inspection cover do not need to be removed.*



**NOTE:** *Leave all attaching hardware loose until mounting brackets are completely assembled to facilitate assembly and proper alignment. Tighten all hardware to torque specifications in loader operators manual.*

### INSTALLING MOUNTING BRACKETS (Figure 1)

1. Install front mounting bracket (1) to front of tractor frame using 14mm x 40mm cap screws (5) and 9/16 lock washers (8).
2. Remove cap screws securing rear of lower side panels on right and left sides of tractor. This portion of side panel may be pulled out to allow access to upper holes in tractor transmission casting, or lower side panel may be removed and reinstalled after mounting brackets are in place.
3. Install right and left mid mounting brackets (3 & 4) to tractor transmission casting using 14mm x 40mm cap screws (5) and 9/16 lock washers (8) and to frame using 12mm x 80mm cap screws (16), 1/2 lock washers (11) and 1/4 flat washers (18). Fasten rear braces to tractor differential using 12mm x 35mm cap screws (10), 1/2 lock washers (11) and 1/2 flat washers (7).
4. Attach valve mounting angle bracket (item 22 for tractor without cab) (item 23 for tractor with cab) to right mid mounting bracket (3) with 1/2 x 1-1/4 cap screws (21) and 1/2 lock nuts (9) (see figure 1).
5. Fasten crossplate (2) to right and left mid mounting brackets (3 & 4) using 1/2 x 1-1/2 cap screws (6) and 1/2 lock nuts (9).

## PARTS LIST - MOUNTING KIT

ITEM	PART NO.	DESCRIPTION	QTY.
1	44350	BRACKET, Front Mounting	1
2	49671	CROSSPLATE	1
3	49668	BRACKET, Midmounting, Right	1
4	49667	BRACKET, Midmounting, Left	1
5	42672-23	SCREW, Cap, 14mm-1.50mm x 40mm	12
6	41838-33	SCREW, Cap, 1/2-13 x 1-1/2	4
7	42502-10	WASHER, Flat, 1/2	4
8	41837-6	WASHER, Lock, 9/16	12
9	41840-5	NUT, Lock, 1/2-13	6
10	42672-24	SCREW, Cap, 12mm x 35mm	4
11	41837-5	Washer, Lock, 1/2"	12
12	41838-15	SCREW, Cap, 3/4-10 x 2-1/4	4
13	41840-8	NUT, Lock, 3/4-10	4
14	44372	YOKE, with Decals	1
15	39240	DECAL, Do not tow ...	2
16	42672-25	SCREW, Cap, 12mm-1.25mm x 80mm	8
17	41840-11	NUT, Lock, 1/4	4
18	42502-6	WASHER, Flat, 1/4	4
19	48808	PLATE, Light Adapter	2
20	41838-20	SCREW, Cap, 1/4-20 x 3/4	8
21	41838-2	SCREW, Cap, 1/2-13 x 1-1/4	2
22	49679	BRACKET, Valve Mounting, (for Tractors Without Cab)	1
23	49768	BRACKET, Valve Mounting, (for Tractors With Cab)	1

## INSTALLING LOADER TO MOUNTING BRACKETS

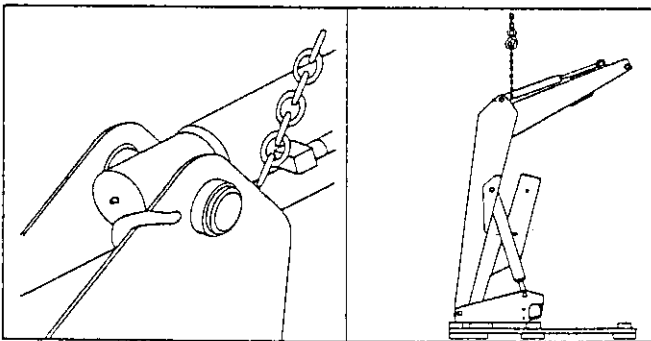


**WARNING:** To avoid injury during installation of quick attach loader, do not permit bystanders within ten feet of loader.

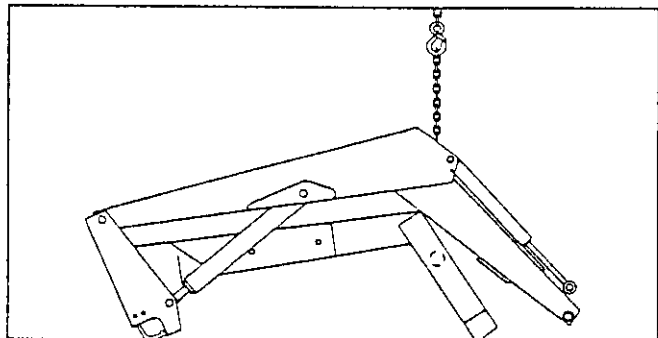
1. Loop chain under each lift cylinder and hook on loader boom arm. Using overhead hoist to support loader remove hardware securing loader to pallet. Lift loader and remove pallet.



**CAUTION:** Do not damage grease fitting on end of cylinder. Be sure chain does not pinch lift cylinder.



2. Using overhead hoist, lower loader from vertical shipping position to horizontal position leaving enough room to install yoke (scraps of cardboard may be used to protect paint). Install yoke assembly (14) using 3/4 x 2-1/4 cap screws (12) and 3/4 lock nuts (13). Lower loader completely to the ground.



**NOTE:** Hardware connecting yoke to loader side-frames should be snug but do not torque completely. After loader has been mounted to tractor and aligned with midmounting brackets and front mounting brackets, torque hardware to 239-262 ft. lb.

3. Install hose or valve kit to tractor and loader. Refer to assembly manual provided for installation instructions.

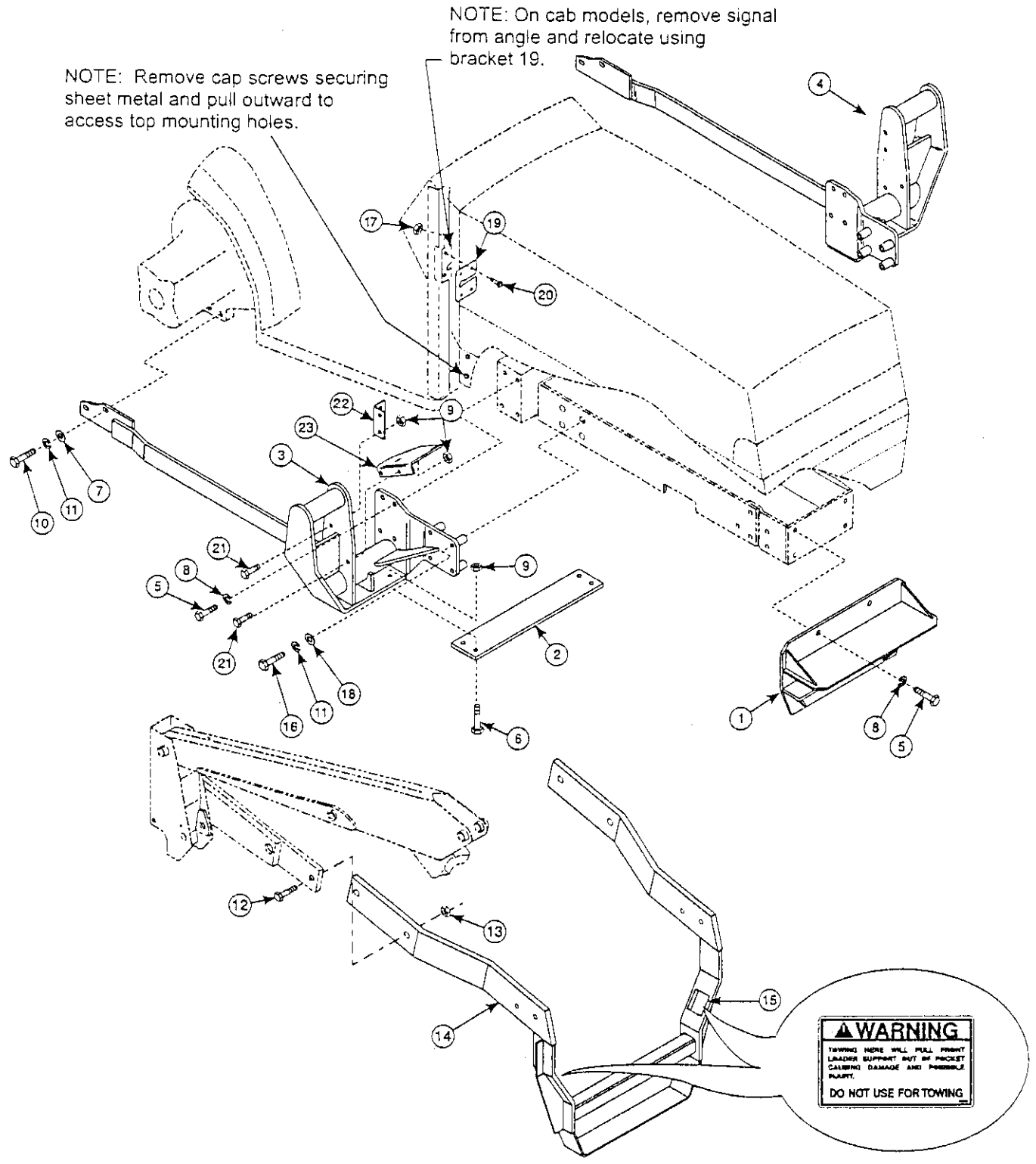
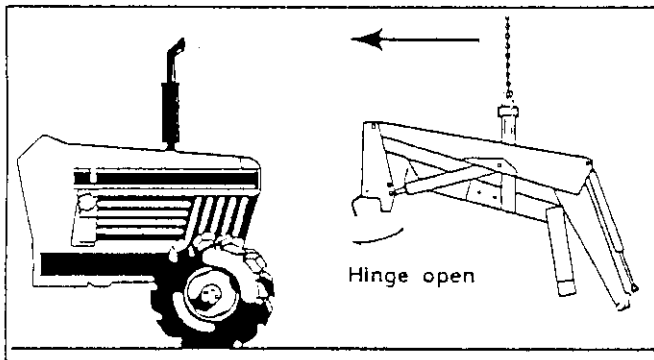
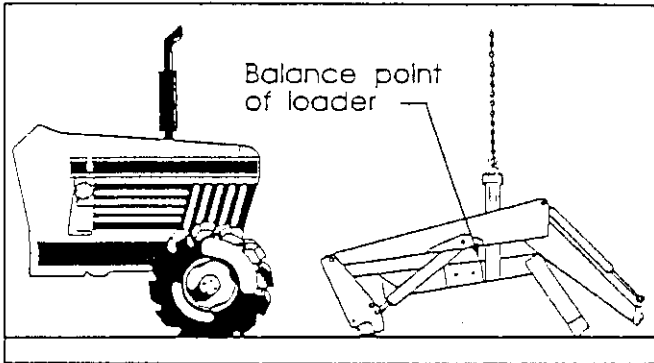


Figure 1  
Mount Kit Assembly

## INSTALLING LOADER TO MOUNTING BRACKETS (Continued)

4. Reposition overhead hoist by looping nylon strap around yoke near loader side frames at balance point of loader.
5. Using overhead hoist, raise loader until side frame uprights will clear front tires. Remove locknut and washer from loader hinge and swing each hinge open.



6. Position loader so hinges hook over mid mounting tubes and yoke tube fits inside front mounting bracket.
7. Clamp hinges to midmounting tubes with 3/4 flat washers and 3/4 flex-lock nuts (supplied with loader).

**IMPORTANT:** Be sure to use flex-lock nuts to clamp hinge. Tighten flex-lock nuts against hinge securely, but not to more than 125 ft.-lb. torque.

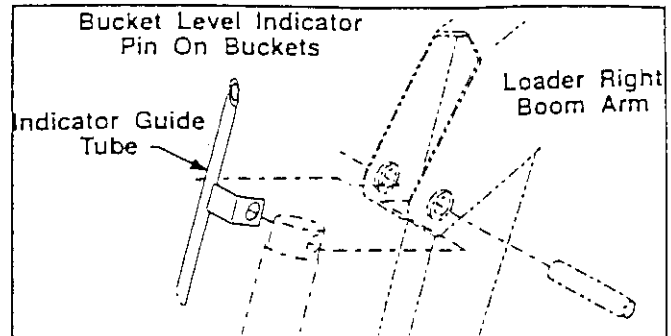
8. Adjust front wheel tread settings or steering stops, if necessary to prevent interference between tires and loader. Refer to tractor operator's manual for adjustment procedures.

## INSTALLING BUCKET

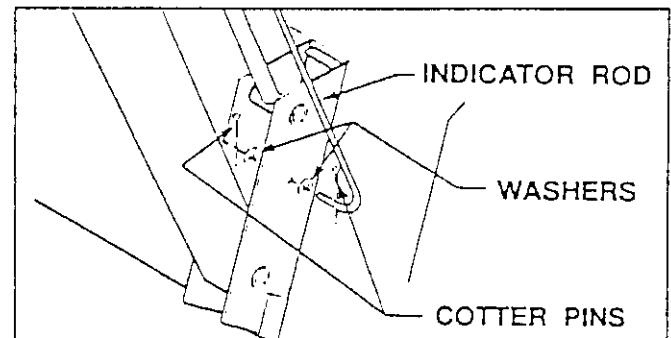
Refer to instruction sheet for instructions on installing bucket.

## INSTALLING BUCKET LEVEL INDICATOR

1. Attach indicator guide tube to cylinder pin. Guide tube is positioned to outside of boom.



2. Slide bucket level indicator rod through guide tube. Attach other end of rod with 1/8 x 1 cotter pins and 3/8 flat washers.



3. Locate tractor and loader on level surface. With bottom of bucket resting on surface, cut off excess rod flush with end of guide tube or paint exposed rod a contrasting color.