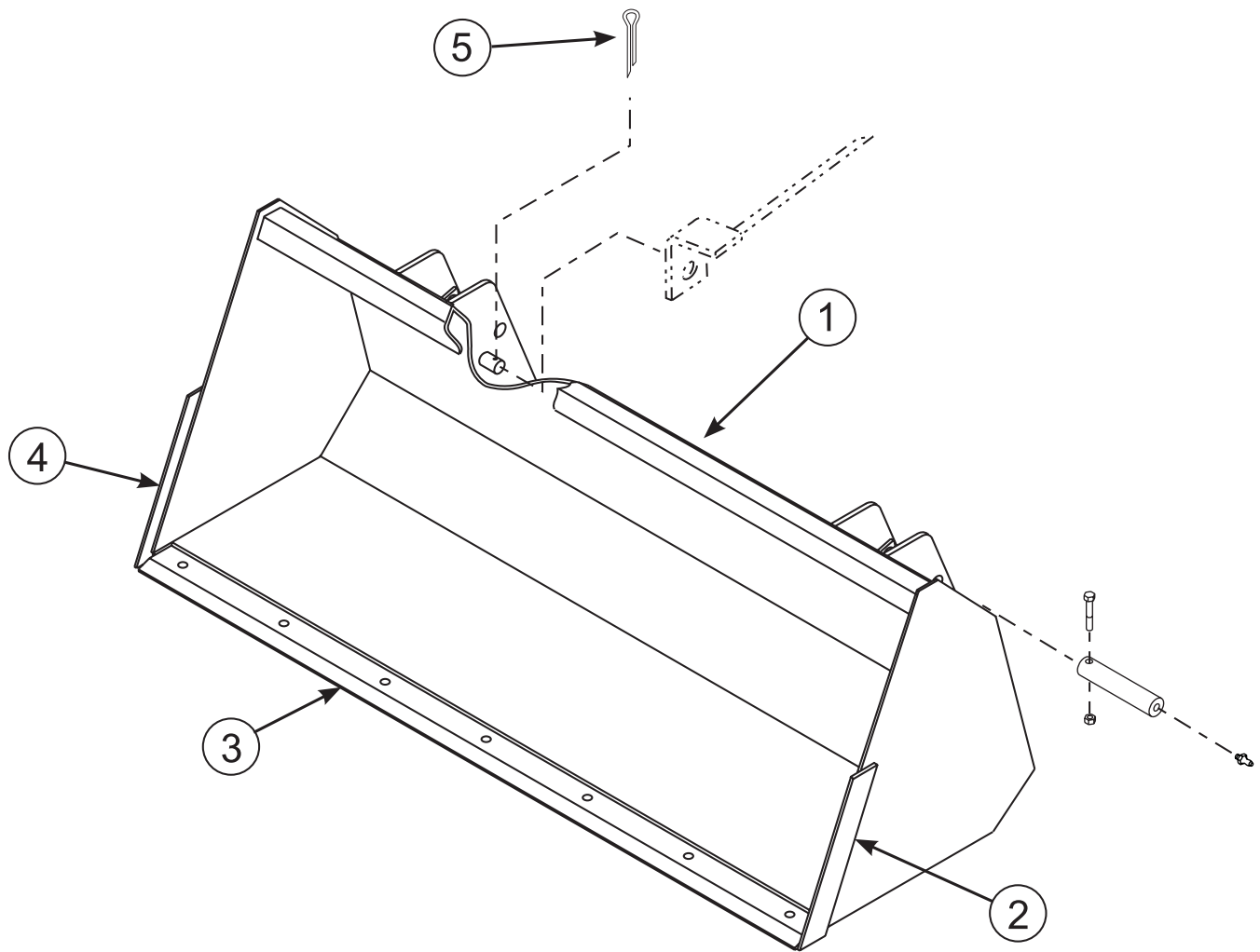


**PIN ON MATERIAL BUCKETS**



**PARTS LIST - MOUNTING KIT**

| Item | Part No. | Description   | Qty. |
|------|----------|---|------|
| 1    | *        | BUCKET, 72" Standard Pin On (Includes cutting edges)                | 1    |
|      | *        | BUCKET, 72" Heavy Duty Pin On (Includes cutting edges)              | 1    |
|      | *        | BUCKET, 84" Heavy Duty Pin On (Includes cutting edges)              | 1    |
|      | *        | BUCKET, 84" Snow & Light Material (Includes cutting edges)          | 1    |
| 2    | MT328171 | CUTTING EDGE, Left Side (72" Standard & 84" Snow & Light Material)  | 1    |
| 3    | MT225425 | CUTTING EDGE, Bottom (72" Standard, no holes)                       | 1    |
|      | MT467341 | CUTTING EDGE, Bottom (72" Heavy Duty, with holes)                   | 1    |
|      | MT467342 | CUTTING EDGE, Bottom (84" Heavy Duty, with holes)                   | 1    |
|      | MT225428 | CUTTING EDGE, Bottom (84" Snow & Light Material, no holes)          | 1    |
| 4    | MT280862 | CUTTING EDGE, Right Side (72" H.D., 84" H.D.)                       | 1    |
|      | MT328172 | CUTTING EDGE, Right Side (72" Standard & 84" Snow & Light Material) | 1    |
| 5    | MT419039 | COTTER PIN, 3/16 x 2.00   | 1    |

\* Not sold as repair part.

2-6931-88  
 2-6932-88  
 2-6933-88  
 2-6935-88

**ATTACHING PIN ON MATERIAL BUCKETS  
 (Figure 1)**

Material buckets can be installed using tools ordinarily available.

Attach bucket to lift boom frame and bucket cylinders with four pins, 3/8 cap screws and 3/8 lock nuts (supplied with loader).

Attach bucket leveling rod (supplied with loader) through slot in bucket leveling bracket attached to tilt cylinder and inner ear on right side of bucket with 3/16 x 2 cotter pin (5) as shown in figure 1.



**WARNING:** Always use a drift and hammer made of non-sparking material (a shot filled mallet is recommended) to install or remove pins. A steel hammer or drift could generate flying metal fragments and result in injury. Always wear safety glasses when using a hammer to remove or install pins.

| BUCKET MODEL              | BUCKET WIDTH |             | STRUCK CAPACITY |              |
|---------------------------|--------------|-------------|-----------------|--------------|
|                           | Inches       | Centimeters | Cubic Yards     | Cubic Meters |
| 72" Standard              | 72           | 183         | 0.58            | 0.45         |
| 72" H.D.                  | 72           | 183         | 0.55            | 0.42         |
| 84" H.D.                  | 84           | 213         | 0.68            | 0.48         |
| 84" Snow & Light Material | 84           | 213         | 0.92            | 1.18         |

**GENERAL TORQUE SPECIFICATIONS**

USE THE FOLLOWING TORQUES WHEN SPECIAL TORQUES ARE NOT GIVEN

**Standard American and Metric Cap Screws**

| AMERICAN STANDARD CAP SCREWS |        |      |      |      |        |     |      |      |                    | METRIC CAP SCREWS |      |      |      |        |      |      |      |
|------------------------------|--------|------|------|------|--------|-----|------|------|--------------------|-------------------|------|------|------|--------|------|------|------|
| SAE Grade                    | 5      |      |      |      | 8      |     |      |      | Metric Class       | 8.8               |      |      |      | 10.9   |      |      |      |
| Typ. Head Markings           |        |      |      |      |        |     |      |      | Typ. Head Markings |                   |      |      |      |        |      |      |      |
| Cap Screw                    | TORQUE |      |      |      | TORQUE |     |      |      | Cap Screw          | TORQUE            |      |      |      | TORQUE |      |      |      |
| Size                         | FT-LBS |      | N-m  |      | FT-LBS |     | N-m  |      | Size               | FT-LBS            |      | N-m  |      | FT-LBS |      | N-m  |      |
| Inches                       | MIN    | MAX  | MIN  | MAX  | MIN    | MAX | MIN  | MAX  | Millimeters        | MIN               | MAX  | MIN  | MAX  | MIN    | MAX  | MIN  | MAX  |
| 1/4 - 20                     | 6.25   | 7.25 | 8.5  | 10   | 8.25   | 9.5 | 11   | 13   | M6 x 1.00          | 6                 | 8    | 8    | 11   | 9      | 11   | 12   | 15   |
| 1/4 - 28                     | 8      | 9    | 11   | 12   | 10.5   | 12  | 14   | 16   | M8 x 1.25          | 16                | 20   | 21.5 | 27   | 23     | 27   | 31   | 36.5 |
| 5/16 - 18                    | 14     | 15   | 19   | 20   | 18.5   | 20  | 25   | 27   | M10 x 1.50         | 29                | 35   | 39   | 47   | 42     | 52   | 57   | 70   |
| 5/16 - 24                    | 17.5   | 19   | 23   | 26   | 23     | 25  | 31   | 34   | M12 x 1.75         | 52                | 62   | 70   | 84   | 75     | 91   | 102  | 123  |
| 3/8 - 16                     | 26     | 28   | 35   | 38   | 35     | 37  | 47.5 | 50   | M14 x 2.00         | 85                | 103  | 115  | 139  | 120    | 146  | 163  | 198  |
| 3/8 - 24                     | 31     | 34   | 42   | 46   | 41     | 45  | 55.5 | 61   | M16 x 2.50         | 130               | 158  | 176  | 214  | 176    | 216  | 238  | 293  |
| 7/16 - 14                    | 41     | 45   | 55.5 | 61   | 55     | 60  | 74.5 | 81   | M18 x 2.50         | 172               | 210  | 233  | 284  | 240    | 294  | 325  | 398  |
| 7/16 - 20                    | 51     | 55   | 69   | 74.5 | 68     | 75  | 92   | 102  | M20 x 2.50         | 247               | 301  | 335  | 408  | 343    | 426  | 465  | 577  |
| 1/2 - 13                     | 65     | 72   | 88   | 97.5 | 86     | 96  | 116  | 130  | M22 x 2.50         | 332               | 404  | 450  | 547  | 472    | 576  | 639  | 780  |
| 1/2 - 20                     | 76     | 84   | 103  | 114  | 102    | 112 | 138  | 152  | M24 x 3.00         | 423               | 517  | 573  | 700  | 599    | 732  | 812  | 992  |
| 9/16 - 12                    | 95     | 105  | 129  | 142  | 127    | 140 | 172  | 190  | M27 x 3.00         | 637               | 779  | 863  | 1055 | 898    | 1098 | 1217 | 1488 |
| 9/16 - 18                    | 111    | 123  | 150  | 167  | 148    | 164 | 200  | 222  | M30 x 3.00         | 872               | 1066 | 1181 | 1444 | 1224   | 1496 | 1658 | 2027 |
| 5/8 - 11                     | 126    | 139  | 171  | 188  | 168    | 185 | 228  | 251  |                    |                   |      |      |      |        |      |      |      |
| 5/8 - 18                     | 152    | 168  | 206  | 228  | 203    | 224 | 275  | 304  |                    |                   |      |      |      |        |      |      |      |
| 3/4 - 10                     | 238    | 262  | 322  | 355  | 318    | 350 | 431  | 474  |                    |                   |      |      |      |        |      |      |      |
| 3/4 - 16                     | 274    | 305  | 371  | 409  | 365    | 402 | 495  | 544  |                    |                   |      |      |      |        |      |      |      |
| 7/8 - 9                      | 350    | 386  | 474  | 523  | 466    | 515 | 631  | 698  |                    |                   |      |      |      |        |      |      |      |
| 7/8 - 14                     | 407    | 448  | 551  | 607  | 543    | 597 | 736  | 809  |                    |                   |      |      |      |        |      |      |      |
| 1 - 8                        | 537    | 592  | 728  | 802  | 716    | 790 | 970  | 1070 |                    |                   |      |      |      |        |      |      |      |
| 1 - 14                       | 670    | 740  | 908  | 1003 | 894    | 987 | 1211 | 1337 |                    |                   |      |      |      |        |      |      |      |

**NOTE:** These values apply to fasteners as received from supplier, dry or when lubricated with normal engine oil. They do not apply if special graphite or moly sulphide greases or other extreme lubricants are used.

# INSTALLATION INSTRUCTIONS