

SML26949 60"

# ASSEMBLY MANUAL

2-6621/2-6949

SML26622 72"

Keep With Operator's Manual

2-6622/2-6950

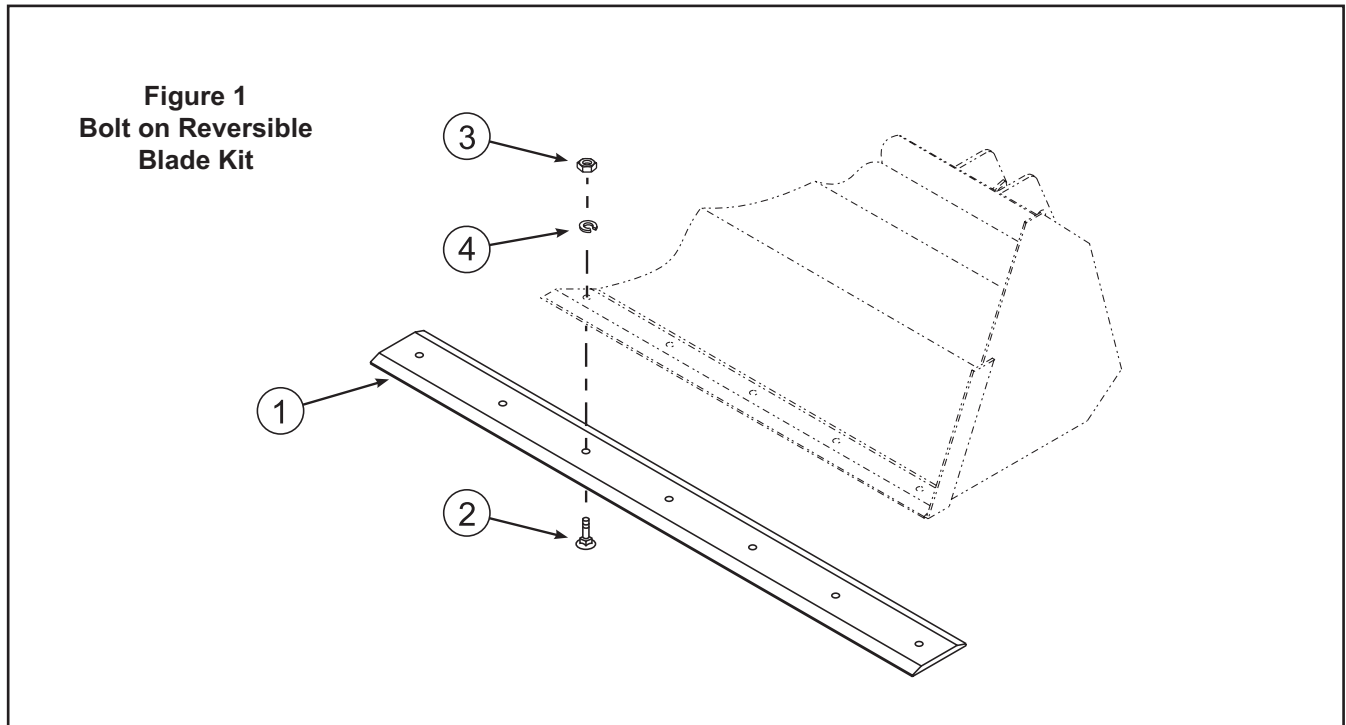
SML26951 84"

2-6623/2-6951

SML26852 96"

2-6852

## BOLT ON REVERSIBLE BLADE KIT 60", 72", 84" & 96" HEAVY DUTY BUCKETS



### PARTS LIST - BOLT ON REVERSIBLE BLADE KIT

ITEM	SMC NO.	NH NO.	CASE IH NO.	DESCRIPTION	QTY.
1	*	*		60" BOLT ON REVERSIBLE BLADE	1
	*	*		72" BOLT ON REVERSIBLE BLADE	1
	*	*		84" BOLT ON REVERSIBLE BLADE	1
	*	*		96" BOLT ON REVERSIBLE B LADE	1
2	46671-5	SML466715	SML466715	PLOW BOLT, 3/4 x 2-1/4	-
3	41836-8	280954	425-1012	NUT, 3/4-10	-
4	41837-8	87340	492-11075	WASHER, Lock, 3/4	-

\* Not sold as repair part.

**NOTE: NOT COMPATIBLE WITH TOOTH BARS.**

### INSTALLING BOLT ON REVERSIBLE BLADE

Install blade (1) using 3/4 x 2-1/4 plow bolts (2), 3/4 lockwashers (4) and 3/4 nuts. Blade can be reversed as the leading edge wears down.

2-6621/2-6949

2-6622/2-6950

2-6623/2-6951

2-6852

SML26949 60"

SML26622 72"

SML26951 84"

SML26852 96"

# INSTALLATION INSTRUCTIONS