

PALLET FORK ROLLBACK PROTECTOR

NEW HOLLAND 7312, 7314, 7411, 7412, 7412HD & 7413 LOADERS

INSTALLING ROLLBACK PROTECTOR

Rollback protector can be installed using tools normally available. Lower pallet fork to ground. Shut off tractor engine and engage brakes.

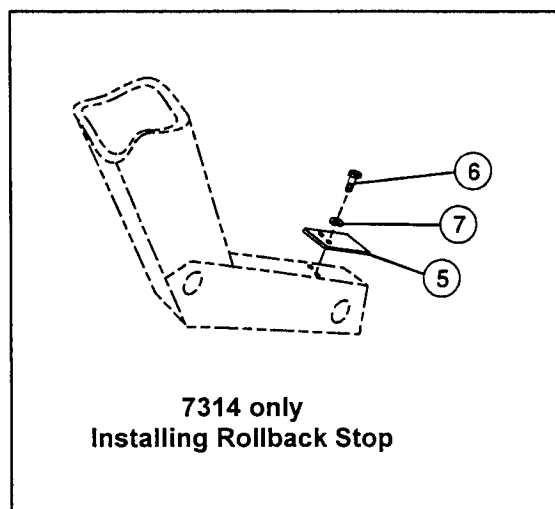
1. Remove shafts which hold tines to pallet fork.
2. Secure rollback protector (1) to pallet fork frame using 5/8 x 2 cap screws (2), 5/8 x 1-1/2 cap screws (4) and 5/8 lock nuts (3).

NOTE: Holes for tine pins are offset toward rear.

3. Reinstall tines and shafts using hardware previously removed.

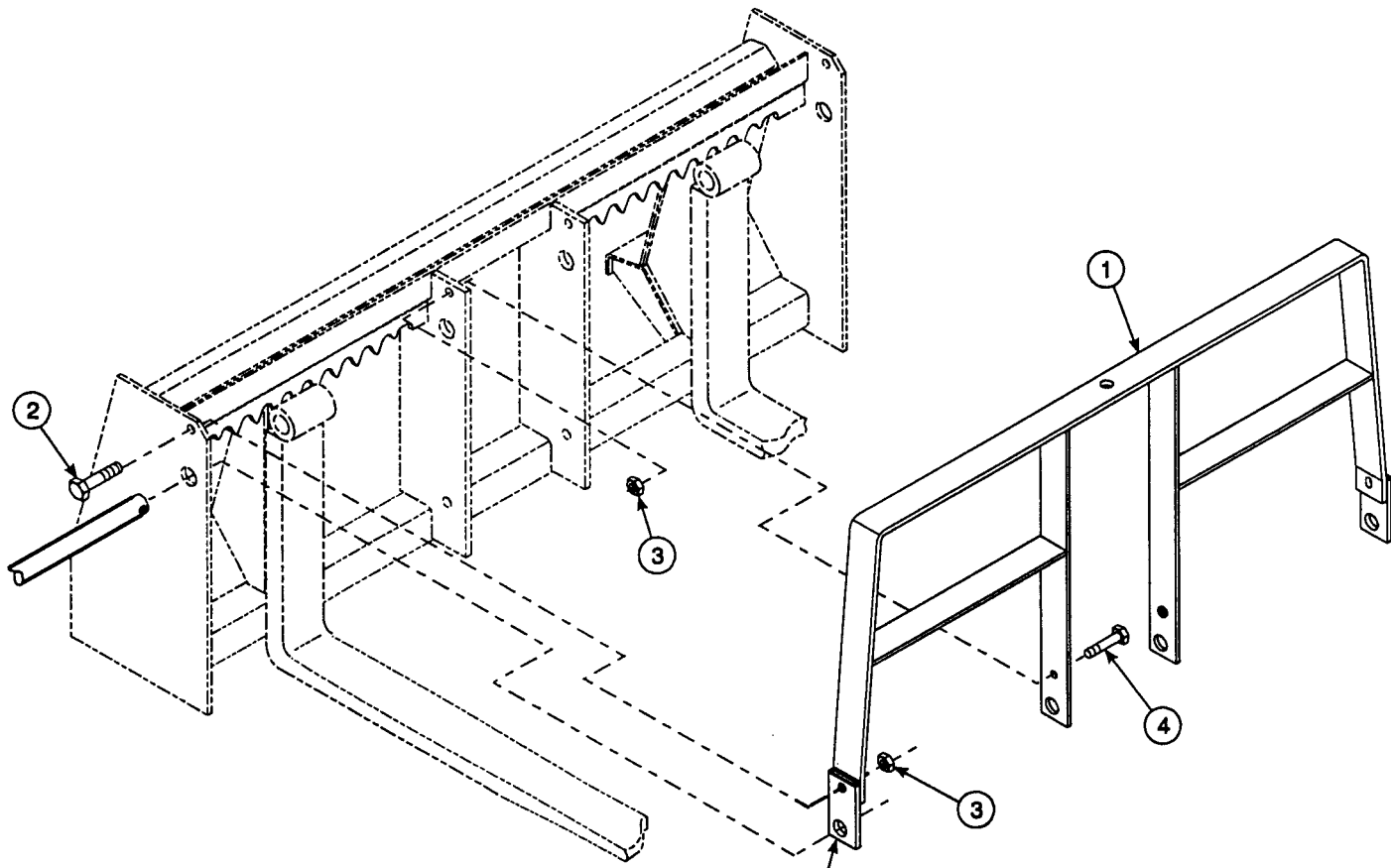
INSTALLING ROLLBACK STOP (7314 Loader)

Install rollback stops (5) to lower boom arms using 3/8 cap screws (6) and 3/8 lock washers.



PARTS LIST - PALLET FORK

ITEM	PART NO.	DESCRIPTION	QTY.
1	----	ROLLBACK PROTECTOR (not available as repair part) order 715770001 (2-6304)	1
2	41838-27	SCREW, Cap, 5/8-11 x 2	2
3	41836-7	NUT, Lock, 5/8-11	4
4	41838-29	SCREW, Cap, 5/8-11 x 1-1/2	2
5	43992	ROLLBACK STOP (7314 loader only)	2
6	41838-11	SCREW, Cap, 3/8-16 x 1	4
7	41837-3	WASHER, Lock, 3/8	4
8	42502-32	WASHER, Flat, 5/8	2



NOTE: Holes are offset toward rear.

Figure 1
Installing Rollback Protector