

GRILLE GUARD NEW HOLLAND 3415 TRACTOR

Grille guard can be installed using tools ordinarily available. Shut off engine and engage brakes during installation.

INSTALLING GRILLE GUARD (Figures 1, 2 & 3)

NOTE: To install grille guard on tractors without auxiliary valve or loader refer to Figure 1, tractors with auxiliary valve Figure 2 and tractors with loader and auxiliary valve Figure 3.

NOTE: If installing mounting kit with grille guard, leave hardware loose until right mid mounting is installed to facilitate installation. Discard extra hardware from mounting kit parts carton.

1. If so equipped, remove and discard hardware and spacer tubes securing hydraulic coupler bracket to tractor frame.

2. Install grille guard (1) to tractor frame using 1/2 x 2 cap screws (6) and 1/2 lock nuts (4).

NOTE: If tractor is so equipped, reattach hydraulic coupler bracket using 1/2 x 3-3/4 cap screws (10), spacer tubes (9) and lock nuts (4). Longer spacer tubes provide clearance between oil lines and grille guard brackets.

3. Install brackets (2) to grille guard (1) using 1/2 x 1-1/4 carriage bolts (3) and 1/2 lock nuts (4).

4. Install brackets (2) to tractor frame using 1/2 x 2-1/2 cap screws (5), spacer (7) and 1/2 lock nuts (4).

PARTS LIST - GRILLE GUARD

ITEM	PART NO.	DESCRIPTION	QTY.
1	43617	GUARD, Grille, Assembly	1
2	43614	BRACKET, Grille Guard	2
3	G126485	BOLT, Carriage, 1/2-13 x 1-1/4	2
4	G9414074	NUT, Lock, 1/2-13	10
5	G180185	SCREW, Cap, 1/2-13 x 2-1/2	4
6	G180181	SCREW, Cap, 1/2-13 x 2 (Use without Mount Kit or Valve)	6
7	39068-5	SPACER, Tube, .75 Long (Use without Mount Kit)	2
8	G120390	WASHER, Flat, 1/2 (Use with Mount Kit)	4
9	39068-6	SPACER, Tube, 2" Long (Use with Valve Kit)	2
10	G180194	SCREW, Cap, 1/2-13 x 4 (Use with Valve Kit)	2

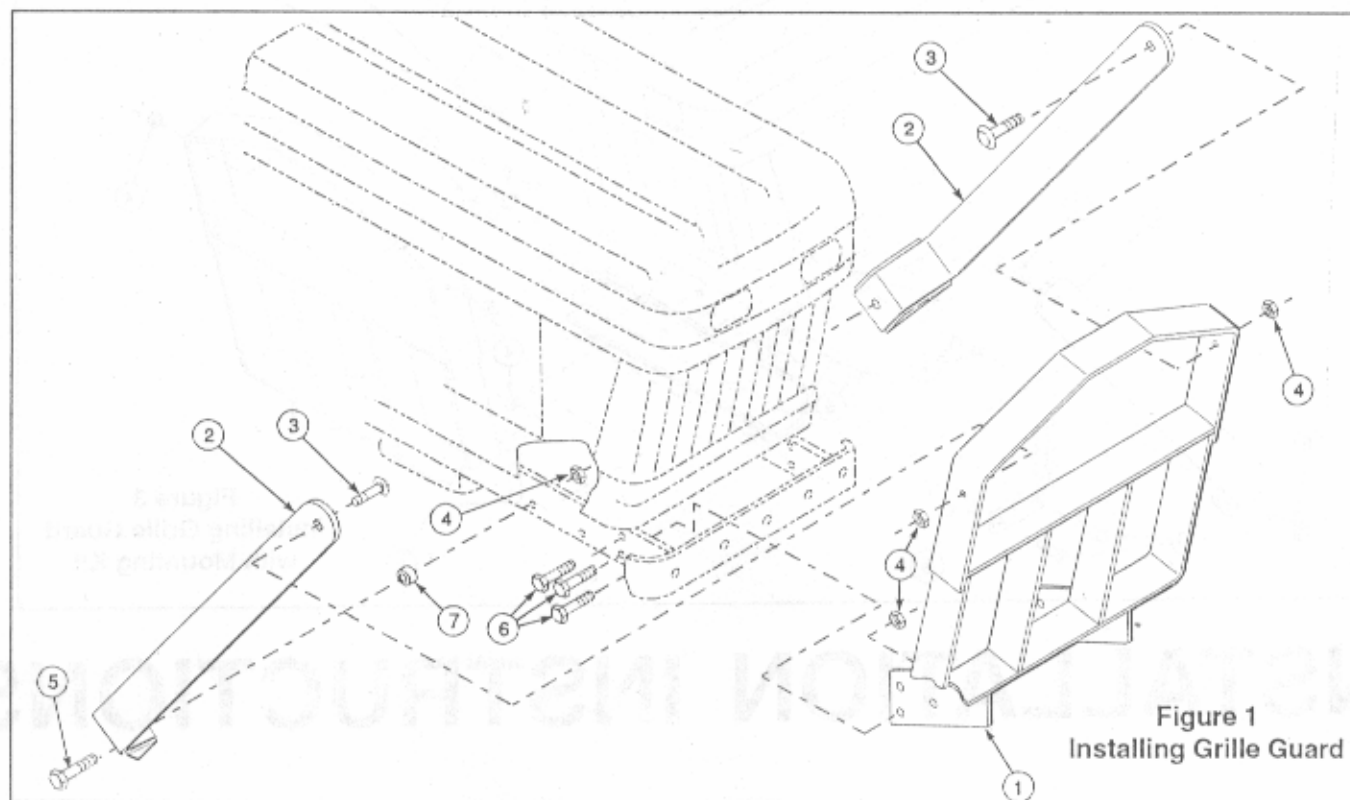


Figure 1
Installing Grille Guard

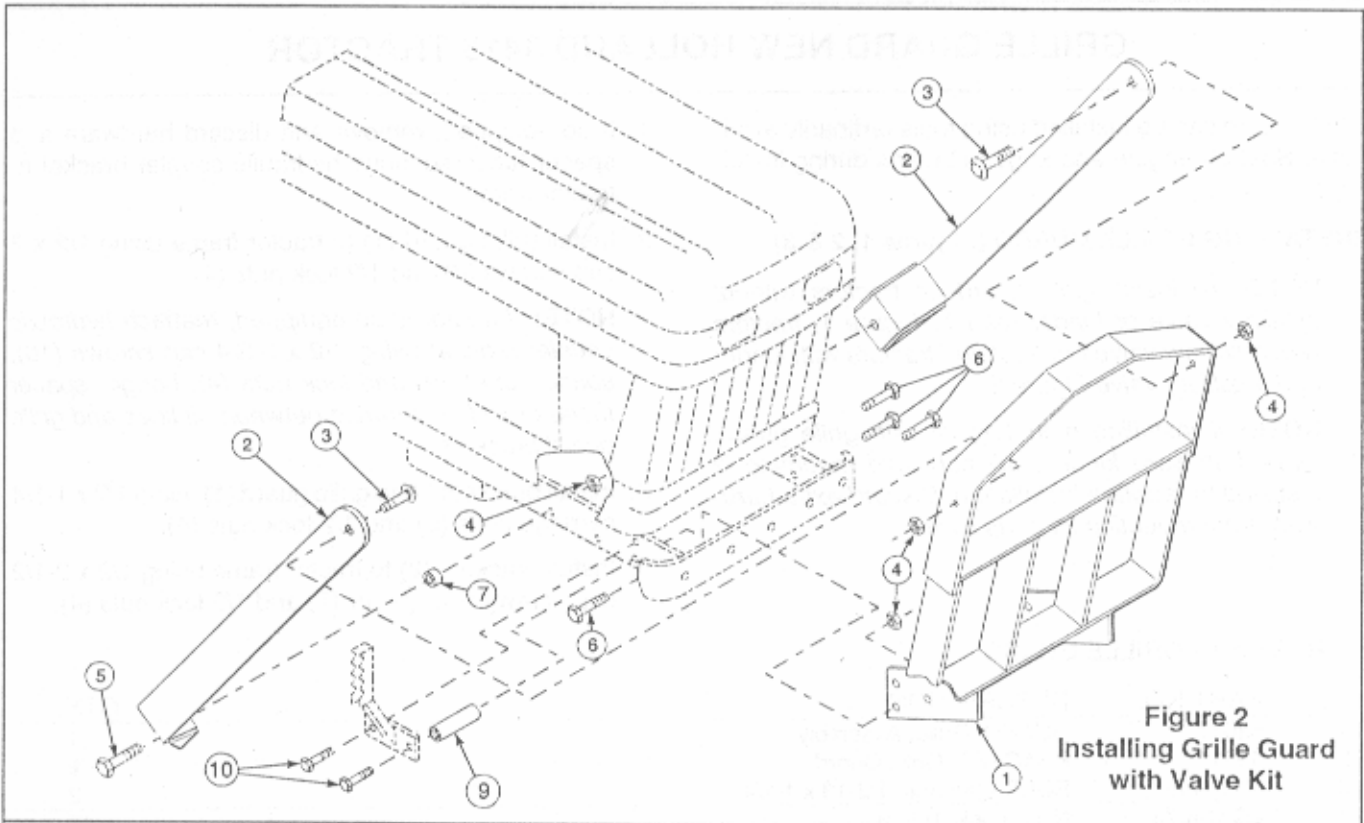


Figure 2
Installing Grille Guard
with Valve Kit

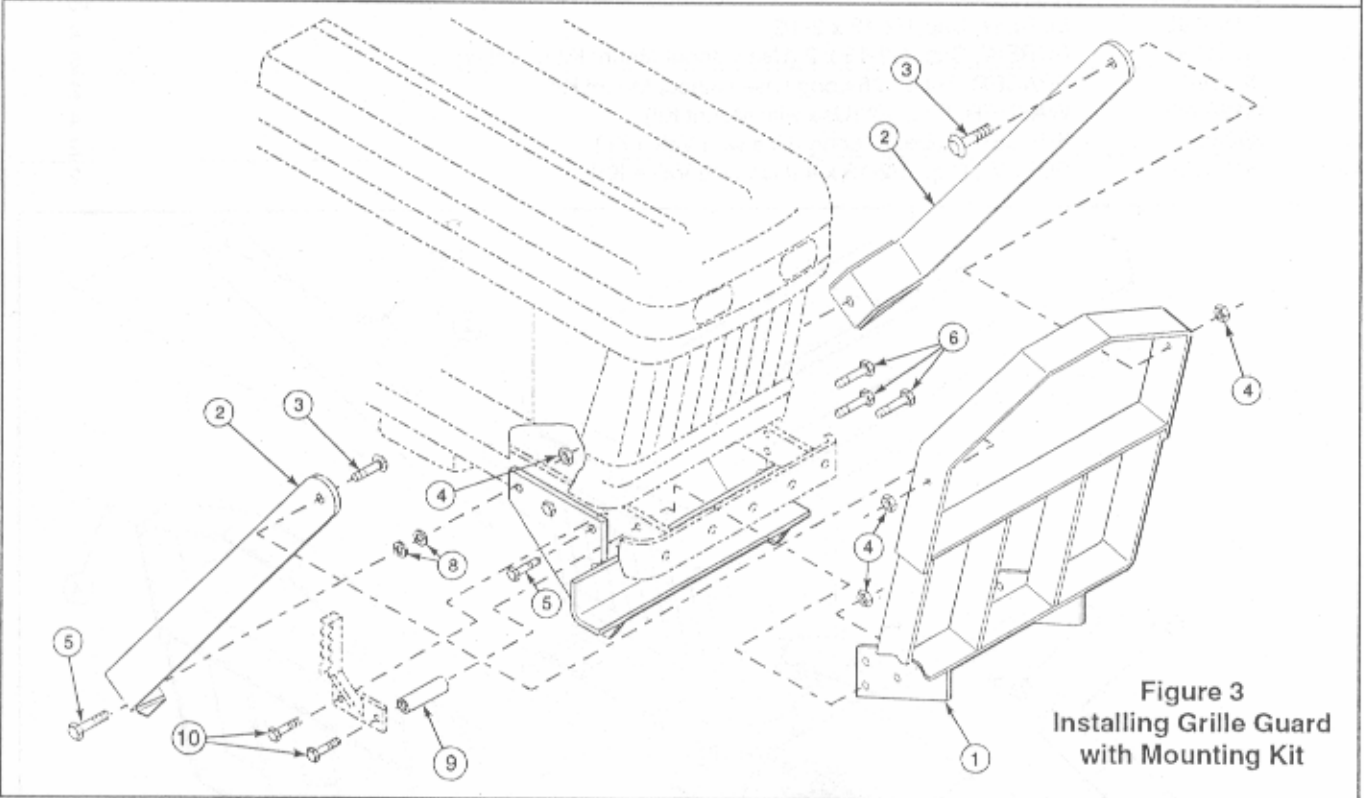


Figure 3
Installing Grille Guard
with Mounting Kit

INSTALLATION INSTRUCTIONS