
QUICK ATTACH DEVICE FOR FRONT END LOADERS

Quick attach device can be installed on front end loader using tools ordinarily available. Shut off engine and engage brakes during installation.

Only quick attach style attachments can be used with this quick attach device. Pin-on style attachments can still be used on loader, but require removal of quick

attach device (and relocation of bucket level indicator) and cannot utilize quick attach feature.

All references to left and right used in these instructions are as they would appear to operator standing at rear of unit facing forward.

NOTE: For loaders with New Holland component number 9606987 (previous model 7210) or 9616237 (previous model 7410HD), this kit requires that bucket cylinder upgrade kit 9853740 (2-5953) also be purchased and installed onto loader in conjunction with this kit.

NOTE: For 102QX and 104QX loaders, this kit requires that bucket cylinder upgrade kit (2-5953) also be purchased and installed onto loader in conjunction with this kit.

INSTALLATION INSTRUCTIONS

ASSEMBLING QUICK ATTACH DEVICE (Figure 1)

1. Unband quick attach bracket (1) and parts from shipping material. Remove wood blocks and find remaining parts needed for assembly. Identify left and right latch pins (2 & 3) by "L" or "R" stamped on handle flats.
2. Place one spring (5) and flat washer (6) into quick attach bracket at each end as shown. Install left and right latch pins (2 & 3) through center of spring (5) and washer (6). Lift each washer (6) to compress spring (5), then install spring pin (7) through cut-out on back surface of quick attach bracket (1). Tap spring (7) through only until it is flush with outside diameter of washer on opposite side.

NOTE: Handles must be positioned toward tractor and dowel pin toward outside.

3. Push one handle grip (4) onto end of each latch pin (2 & 3).

INSTALLING QUICK ATTACH DEVICE (Figure 2)



WARNING: Always use a drift and hammer made of non-sparking material (a shot-filled mallet is recommended) to install or remove pins. A steel hammer or drift could generate flying metal fragments and result in injury. Always wear safety glasses when using a hammer to remove or install pins.

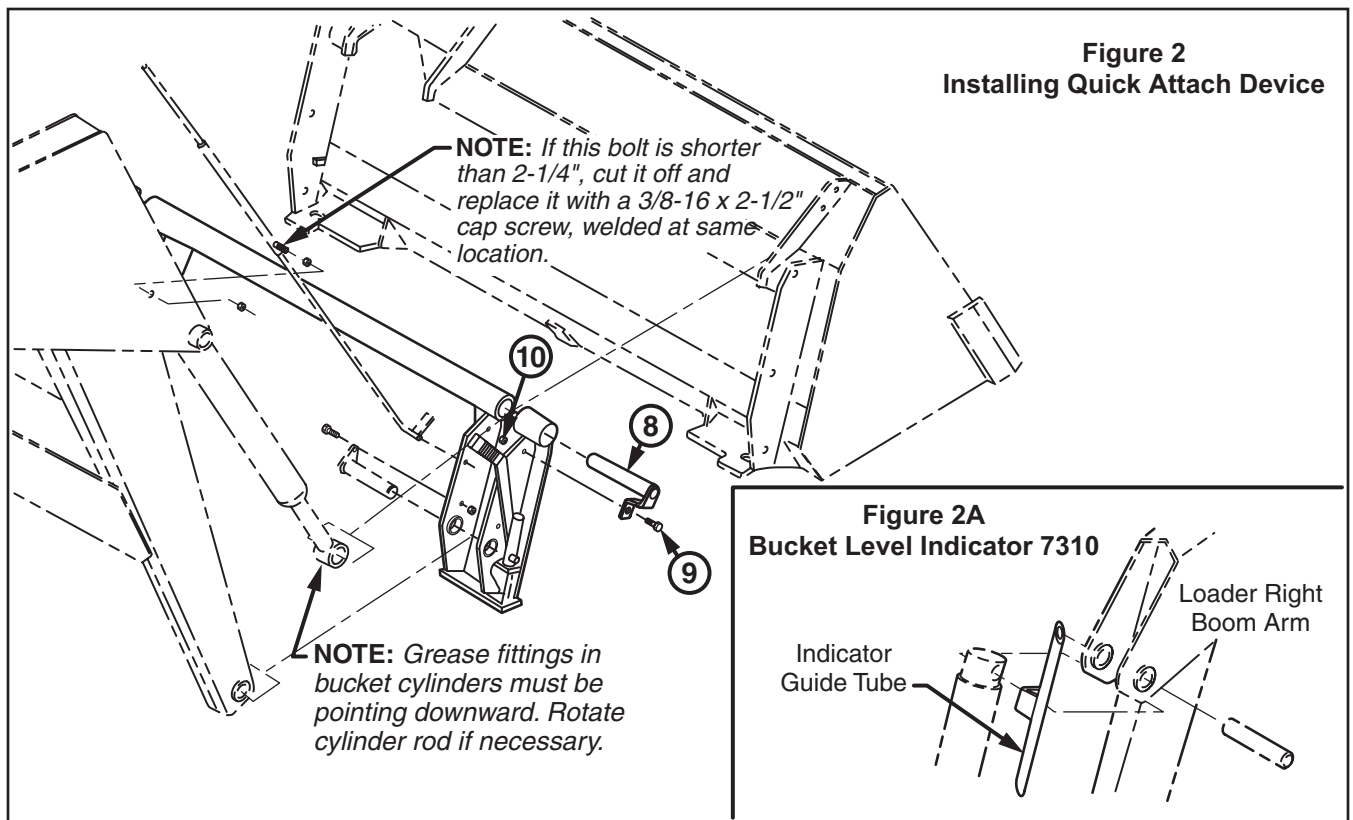
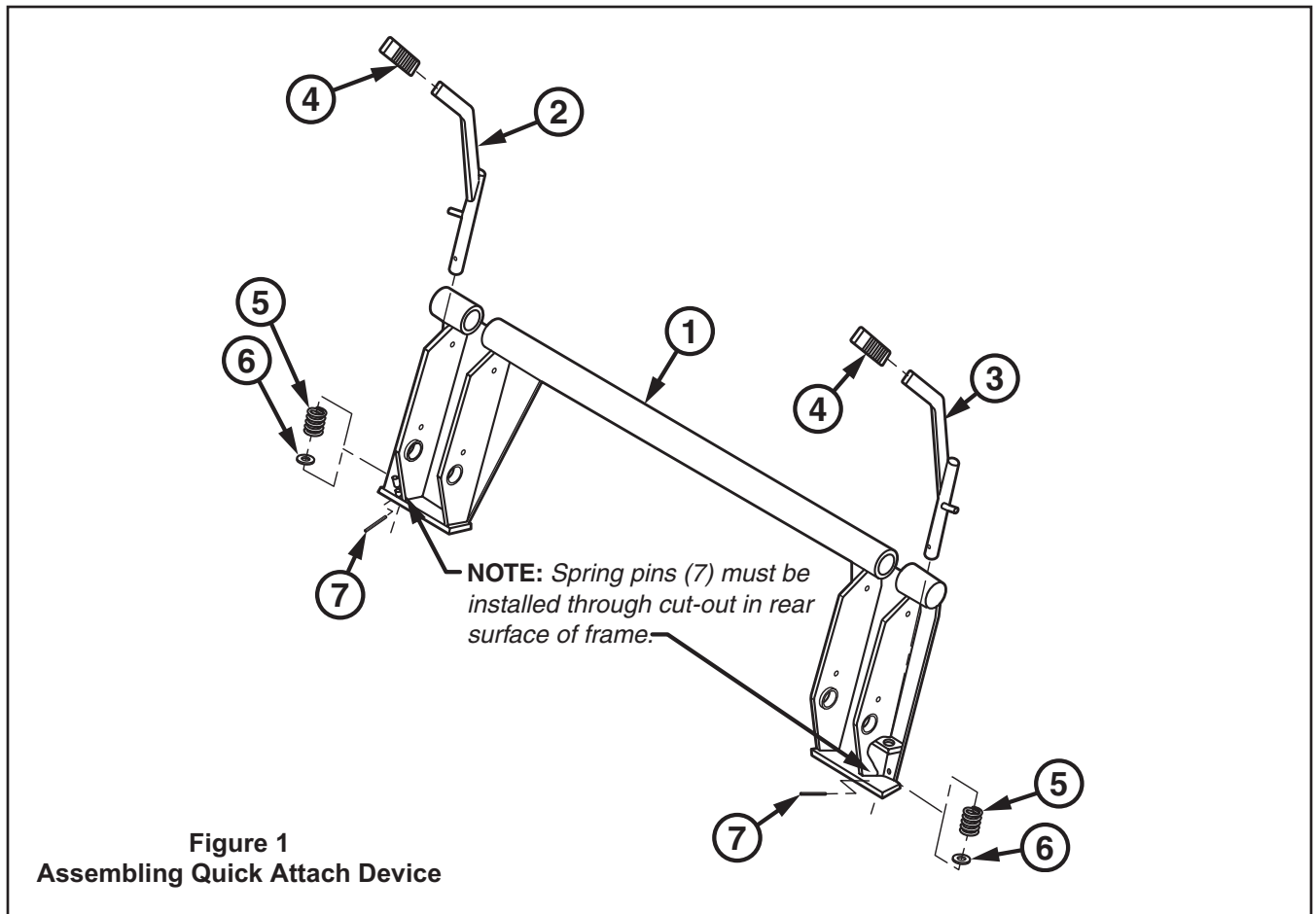
1. Fasten quick attachment bracket (1) to lower boom arms using 1-1/4 x 5-1/4" attachment pins, 3/8 x 3/4" shoulder bolts, and lock nuts (supplied with loader). Pins must be installed from inside of quick attach device.

NOTE: Grease fittings on rod end of bucket cylinder must be to underside of cylinder. Rotate cylinder rod, if necessary, before pinning cylinder to quick attach bracket.

2. Fasten quick attach bracket (1) to loader bucket cylinders using offset attachment pins (8) with 3/8 x 3/4" shoulder bolts (9) and lock nuts (10).

PARTS LIST – QUICK ATTACH DEVICE

| Item | Part No. | Description | Qty. |
|------|----------|------------------------------|------|
| 1 | 40468 | BRACKET, Quick Attach Device | 1 |
| 2 | 40474-1 | PIN, Latch, Left | 1 |
| 3 | 40474-2 | PIN, Latch, Right | 1 |
| 4 | 39642 | GRIP, Handle, Plastic | 2 |
| 5 | 6043-22 | SPRING | 2 |
| 6 | 6120-15 | WASHER, Flat, Special | 2 |
| 7 | 6015-10 | PIN, Spring, 5/16 x 2-1/2 | 2 |
| 8 | 40470 | PIN, Attachment, Offset | 2 |
| 9 | 31353 | BOLT, Shoulder, 3/8-16 x 3/4 | 2 |
| 10 | 41840-3 | NUT, Lock, 3/8-16, Type N | 2 |



RELOCATING BUCKET LEVEL INDICATOR (Figures 2 & 2A)

7310 Model

Relocate indicator guide tube toward inside of loader boom (Figure 2A).

7210 and 7410 Models

1. If loader does not have a hole in inner knee plate for bucket level indicator, it is necessary to drill one. Drill a 7/16" hole through inner knee plate as approximately the same location as existing hole in outer knee plate.
2. Measure length of bolt on bucket level indicator guide tube. If length of bolt is shorter than 2-1/4", cut it off guide tube and weld a 3/8-16 x 2-1/2" cap screw onto guide tube at same location.
3. Making sure bucket level indicator will clear elbow fittings and hoses in cylinder ports, fasten indicator guide tube to inside knee plate using 3/8-16 lock nuts supplied with loader.

Slide level indicator rod through guide tube and fasten to inside ear of quick attach bracket (1) using 1/8 x 1" cotter pins supplied with loader. Locate tractor and loader on level surface. With bottom of bucket resting level on surface, cut off excess rod beyond indicator guide tube or paint exposed rod a contrasting color.

MOUNTING ATTACHMENT ONTO LOADER



WARNING: To avoid injury during installation of loader attachment, do not allow bystanders within 10 feet of loader or attachment.

1. Locate tractor and attachment on firm level ground. Lower boom to rest on ground. Extend bucket cylinders slightly, while raising boom to provide three to five inches of ground clearance, drive tractor ahead slowly toward attachment, aligning loader quick attach bar with channel on back of attachment.
2. While driving tractor forward, position quick attach bar so it touches attachment just below attachment channel. Then, while driving tractor ahead slowly to maintain contact with attachment, activate lift cylinders to raise loader until quick attach bar engages in attachment channel.

3. Activate bucket cylinders to retract, continuing to roll attachment back completely so catch pins engage in attachment ears.
4. Activate lift cylinder to raise attachment one to two feet off ground and extend bucket cylinders to tilt attachment at a slight downward angle, so quick attach mechanism is visible. Visually inspect attachment mechanism to verify that pins are engaged in ears on back of attachment.

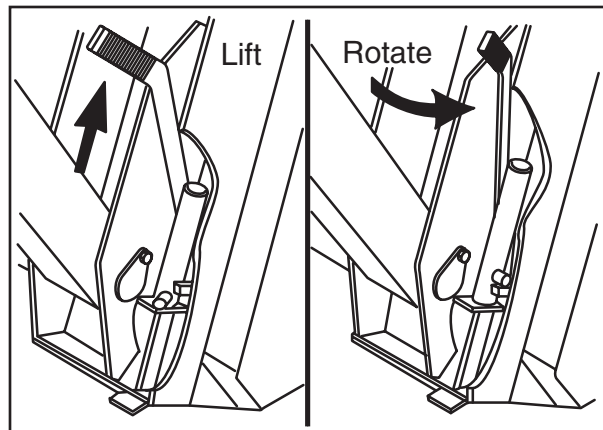
NOTE: If attachment is not securely attached, follow instructions for detaching it and repeat above procedure.

DETACHING LOADER ATTACHMENT



WARNING: To avoid injury during removal of attachment, do not allow bystanders within 10 feet of loader or attachment.

1. Locate tractor and loader on firm level ground.
2. Lower boom arms until attachment is level and approximately three inches off ground. Shut off tractor engine and engage tractor brakes.



3. Disengage latch pins by lifting handles and rotating them so pins rest on blocks provided on attachment ears.
4. Start tractor engine, release tractor brakes and extend bucket cylinders while slowly backing tractor away from attachment, until quick attach bar disengages from attachment channel.