

PALLET FORK ROLLBACK PROTECTOR

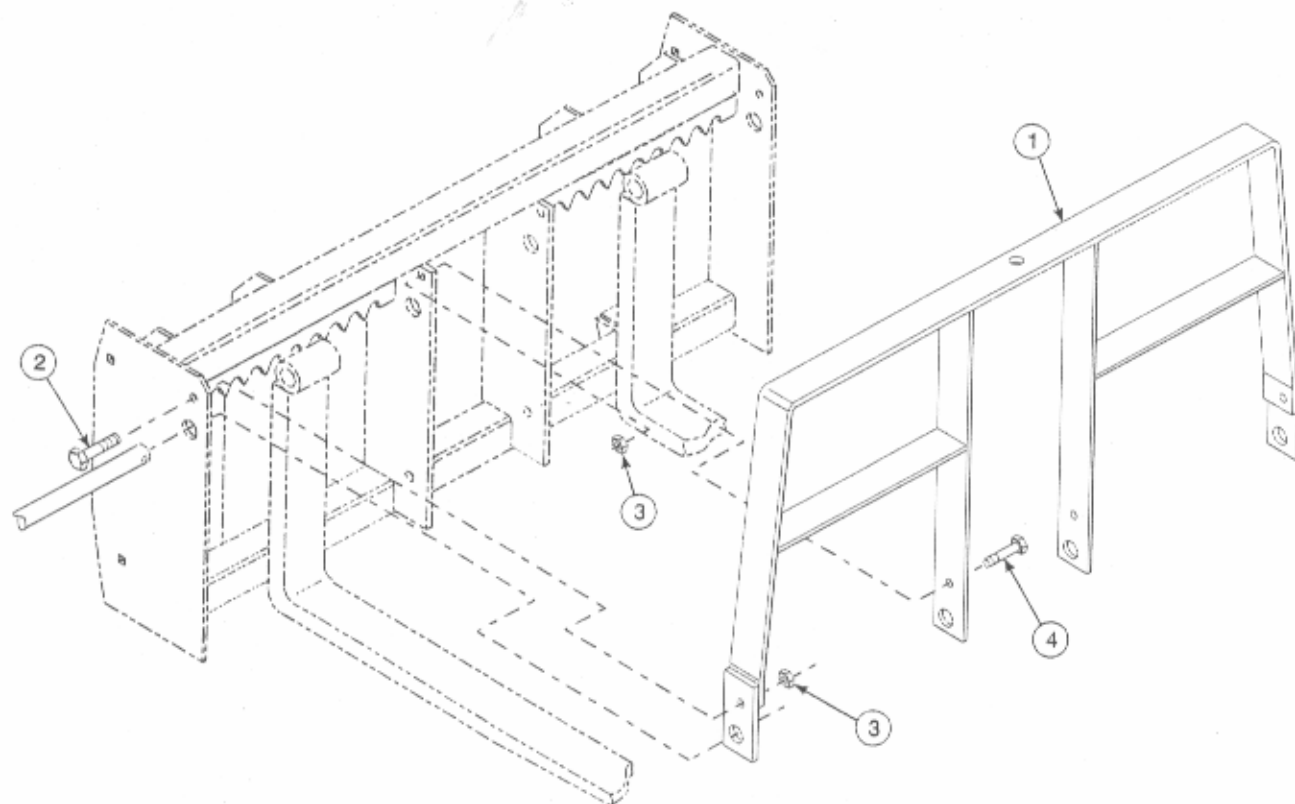


Figure 1
Installing Rollback Protector

INSTALLING ROLLBACK PROTECTOR

Rollback protector can be installed using tools normally available. Lower pallet fork to ground. Shut off tractor engine and engage brakes.

1. Remove shafts which hold tines to pallet fork.
2. Secure rollback protector (1) to pallet fork frame using 5/8 x 2 cap screws (2) and 5/8 lock nuts (3).
3. Reinstall tines and shafts using hardware previously removed.

PARTS LIST - ROLLBACK PROTECTOR

ITEM	PART NO.	DESCRIPTION	QTY.
1	43866	ROLLBACK PROTECTOR	1
2	41838-27	SCREW, Cap, 5/8-11 x 2	2
3	41840-7	NUT, Lock, 5/8-11	4
4	41838-29	SCREW, Cap, 5/8-11 x 1-1/2	2

2-6264
2-6996

715724001
715724006

INSTALLATION INSTRUCTIONS