

## HOSE KIT WITH MIDMOUNT COUPLERS NEW HOLLAND 7312 & 7314 LOADERS NEW HOLLAND TRACTORS

MODEL	2WD	LESS CAB	WITH CAB	FWD	FWD <i>Terra Glide™</i>
8160	X	X	X	X	
8260	X	X	X	X	
8360	X	X	X	X	
8560	X		X	X	
TM 115, 125, 135, 150 & 165	X		X	X	X

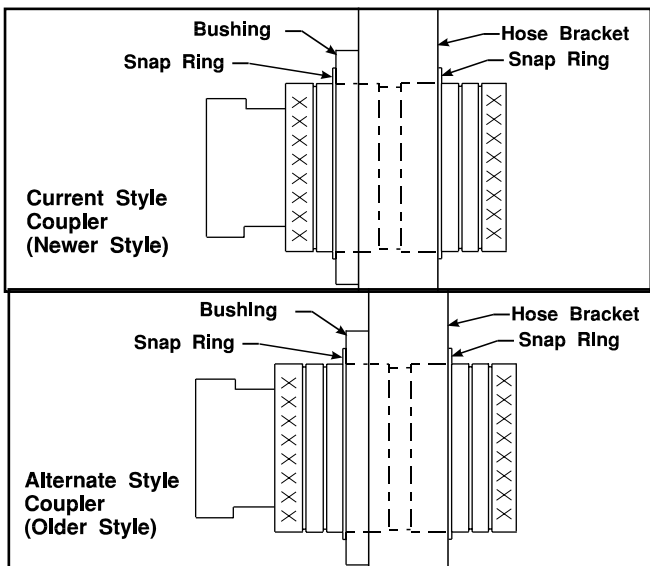
Hose kit can be installed on tractor using tools ordinarily available. Shut off the tractor engine and engage tractor brakes during installation.

**NOTE:** Apply sealant only to all tapered threads unless coupled with swivel adapters. When using teflon tape, wrap tape clockwise (as viewed from end) and wrap tape only twice. Keep sealant away from first two threads of tapered end to prevent contamination of hydraulic fluid. Do not use sealant on o-ring or flare adapter threads.

### INSTALLING TWO-WAY COUPLERS (Figure 3)

1. Install two-way couplers (7) to four inside holes of hose bracket (1) using retaining rings (5) and bushings (6).

**NOTE:** Rear retaining ring must be installed in second slot from back of coupler (third slot from rear for older style couplers). Be sure bushings (6) are behind hose mounting bracket.



### INSTALLING HOSE BRACKET (Figure 3)

Install hose bracket (1) to right midmounting bracket using 1/2 x 1-1/2 cap screws (10) and 1/2 lock nuts (11).



**WARNING:** Escaping hydraulic fluid under pressure can penetrate skin causing serious injury.

- DO NOT use your hands to check for leaks. Use a piece of cardboard or paper to search for leaks.
- Stop engine and relieve pressure before connecting or disconnecting lines.
- Tighten all connections before starting engine or pressurizing lines.

If any fluid is injected into skin, obtain medical attention immediately or gangrene may result.

### PLUMBING FROM HOSE BRACKET TO TRACTOR REAR REMOTES. (Figure 3)

1. Connect 1/2 x 120 hoses (2) to two-way couplers (7). Route 1/2 x 120 hoses under cab to rear of tractor.

**NOTE:** If tractor is equipped with auxiliary fuel tank, route hoses between auxiliary fuel tank and cab.

2. Install male couplers (not supplied) to ends of 1/2 x 120 hoses (2) and connect to rear remote couplers.

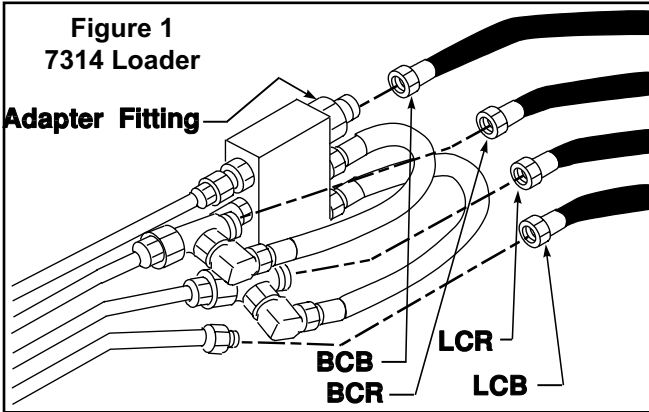
**NOTE:** Be sure top two hoses are connected to remote valve that controls bucket operation and bottom two hoses are connected to remote valve that controls lift cylinder operation.

3. Bundle hoses (2) together and secure under cab or platform using plastic tie straps (12).

**PLUMBING LOADER TO TWO-WAY COUPLERS**  
(Figures 1, 2 & 3)

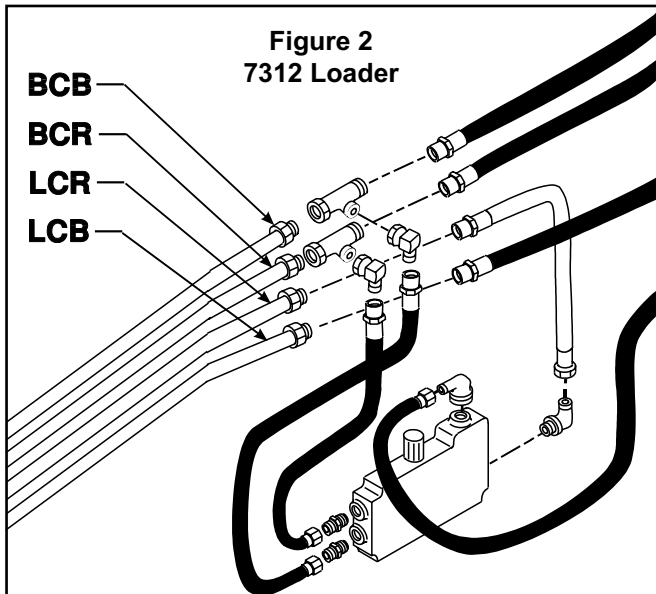
7314 ONLY - (Figure 1)

1. Install 1/2 x 72 hoses (3) to lift cylinder base (LCB) oil line, swivel tee fittings on lift cylinder rod (LCR) & bucket cylinder rod (BCR) oil lines and adapter fitting on relief valve.



7312 ONLY - With Self Leveling Option 9807499  
Bundle 2-5454 (Figure 2)

Install 1/2 x 72 hoses (3) to top port on self leveling valve, lift cylinder rod (LCR) oil line, and tee fittings on bucket cylinder rod (BCR) and bucket cylinder base (BCB) oil lines.



7312 ONLY - Without Self Leveling Valve Option  
(Figure 3)

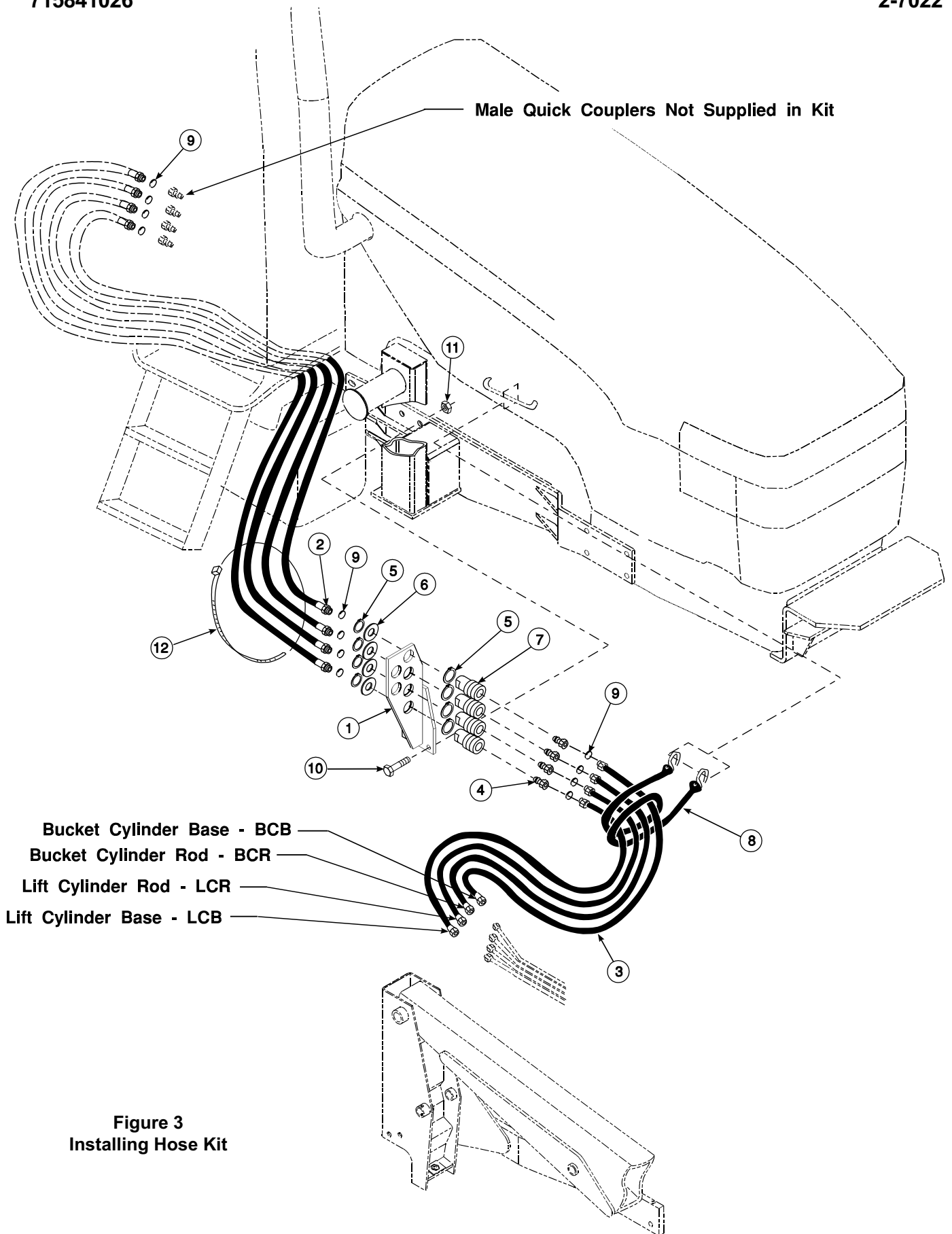
Install 1/2 x 72 hoses (3) to lift cylinder base oil line (LCB), lift cylinder rod oil line (LCR), bucket cylinder rod oil line (BCR), and bucket cylinder base oil line (BCB)(Figure 3).

2. Install male couplers (4) to free ends of 1/2 x 72 hoses.
3. Connect 1/2 x 72 hoses (3) to two-way quick couplers.

**NOTE:** Be sure top two oil lines are connected to remote valve that controls bucket operation and bottom two oil lines are connected to remote valve that controls lift cylinder operation.

4. Install colored bands (9) to ends of 72 inch hoses (3) and 120 inch hoses (2).
5. Wrap rubber strap (8) around 1/2 x 72 hoses (3) approximately 12 inches in front of quick couplers (7) and hook ends to handle on tractor hood.
6. After all plumbing has been completed and all parts are secure, start engine and slowly cycle lift and bucket cylinders several times to purge air out of system, then retract cylinders and shut off tractor engine. Add additional tractor hydraulic fluid as specified in tractor owners manual to bring level of hydraulic fluid up to full.

**NOTE:** If operation of loader is reversed from desired joy-stick operation reverse connections at remote valve.



**PARTS LIST - HOSE KIT**

ITEM	PART NO.	DESCRIPTION	QTY.
1	44167	BRACKET, Hose	1
2	16114-20	HOSE, 1/2 x 120	4
3	36845-9	HOSE, 1/2 X 72	4
4	6137-6	COUPLING, 1/2-14, Male,	4
5	6040-16	RETAINING RING, 1-1/2	8
6	6120-44	BUSHING, 1-1/2 x 2-1/4	4
7	43895-1	COUPLING, 2 Way, 1/2-14, Female	4
8	7438-1	TARP STRAP	1
9	36240-1	SPIRAL BAND, 3/4", Blue	3
	36240-2	SPIRAL BAND, 3/4", Red	3
	36240-3	SPIRAL BAND, 3/4", Yellow	3
	36240-4	SPIRAL BAND, 3/4", Green	3
10	G180177	SCREW, Cap, 1/2-13 x 1-1/2	2
11	G9414074	NUT, Lock, 1/2-13	2
12	8137-3	STRAP, Adjustable, Plastic, 1/2 x 20	2

# INSTALLATION INSTRUCTIONS