

Keep With Loader Operator's Manual

## LOADER MOUNT KIT INSTRUCTIONS

Mount kit can be installed using tools ordinarily available. Shut off engine and engage brakes during installation.

**NOTE:** Leave all attaching hardware loose until loader is completely assembled to facilitate assembly and proper alignment. Torque hardware to torque specifications in loader operator's manual.

Front fenders, front weights and front weight bracket must be removed, if so equipped.

Remove tool box from front of tractor.

Left side engine access door must be removed to allow for access to engine when loader is installed.

Remove right side access door to facilitate mount kit installation. Reinstall after mount kit is installed.

### INSTALLING MOUNTING BRACKETS (Figure 1)

1. Install front mounting bracket (1), with longer flange on top, to tractor using 20MM x 60MM cap screws (7) and 7/8 lock washers (10) in inside holes and 20MM x 80MM cap screws (11) and 7/8 lock washers (10) in outside holes.
2. Install right and left mid mounting brackets (3 & 4) to front three sets of mounting holes in tractor rail using 3/4 x 4-1/2 cap screws (6) and 3/4 lock nuts (8).
3. Fasten crosstube assembly (2) to right and left mid mounting brackets (3 & 4) using 3/4 x 2 cap screws (5), 3/4 flat washers (9) and 3/4 lock nuts (8).

# INSTALLATION

# INSTRUCTIONS

PARTS LIST - MOUNTING KIT

ITEM	PART NO.	DESCRIPTION	QTY.
1	41935	BRACKET, Front Mounting	1
2	41932	CROSSTUBE, Assembly	1
3	42146	BRACKET, Mid Mounting, Right	1
4	41940	BRACKET, Mid mounting, Left (Not shown)	1
5	G271771	SCREW, Cap, 3/4-10 x 2	4
6	G271781	SCREW, Cap, 3/4-10 x 4-1/2	12
7	6090-70	SCREW, Cap, 20MM-2.50 x 60MM	2
8	G9414076	NUT, Lock, 3/4-10	16
9	G131017	WASHER, Flat, 3/4	4
10	G131047	WASHER, Lock, 7/8	6
11	6090-101	SCREW, Cap, 20MM-2.50 x 80MM	4
12	G271777	SCREW, Cap, 3/4-10 x 3-1/2	2
13	37259	WASHER, Flat, 3/4	2
14	6130-3	NUT, Flexlock, 3/4-10	2

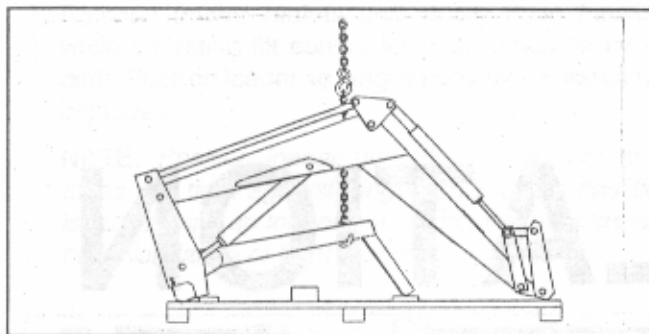
INSTALLING LOADER TO MOUNTING BRACKETS



**WARNING:** To avoid injury during installation of quick attach loader, do not permit bystanders within ten feet of loader.

Position pallet on solid surface. If surface is not solid, use wood blocks for support when installing loader to tractor.

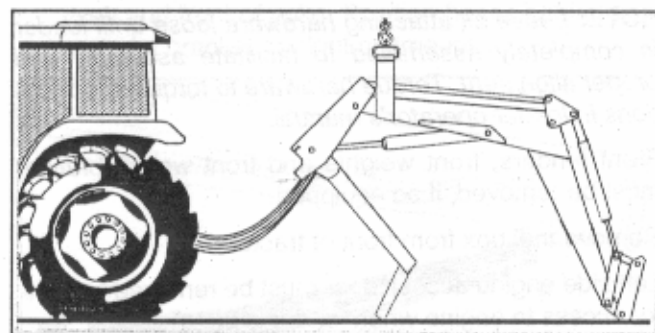
1. Remove hardware securing loader to pallet. Using overhead hoist, lift loader and remove pallet.
2. Install hose or valve kit to loader and tractor. Refer to assembly manual provided for installation instructions.



3. Back tractor close enough to loader so plumbing can be connected and connect lift cylinder hoses to tractor hydraulics. Reposition overhead hoist to loader boom arms near pivot point to side frames. Using nylon straps, lift loader boom until uprights are at least four feet off ground.



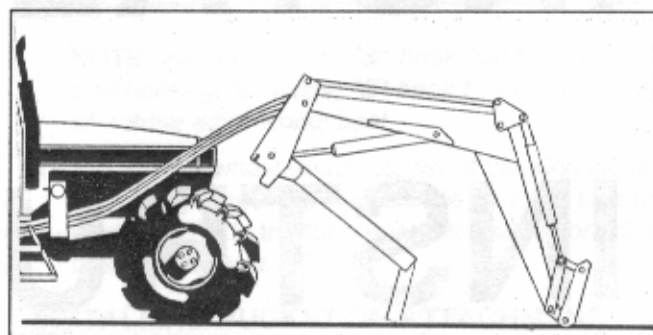
**CAUTION:** Loader will tip over backwards if lift cylinders are extended without support of overhead hoist.



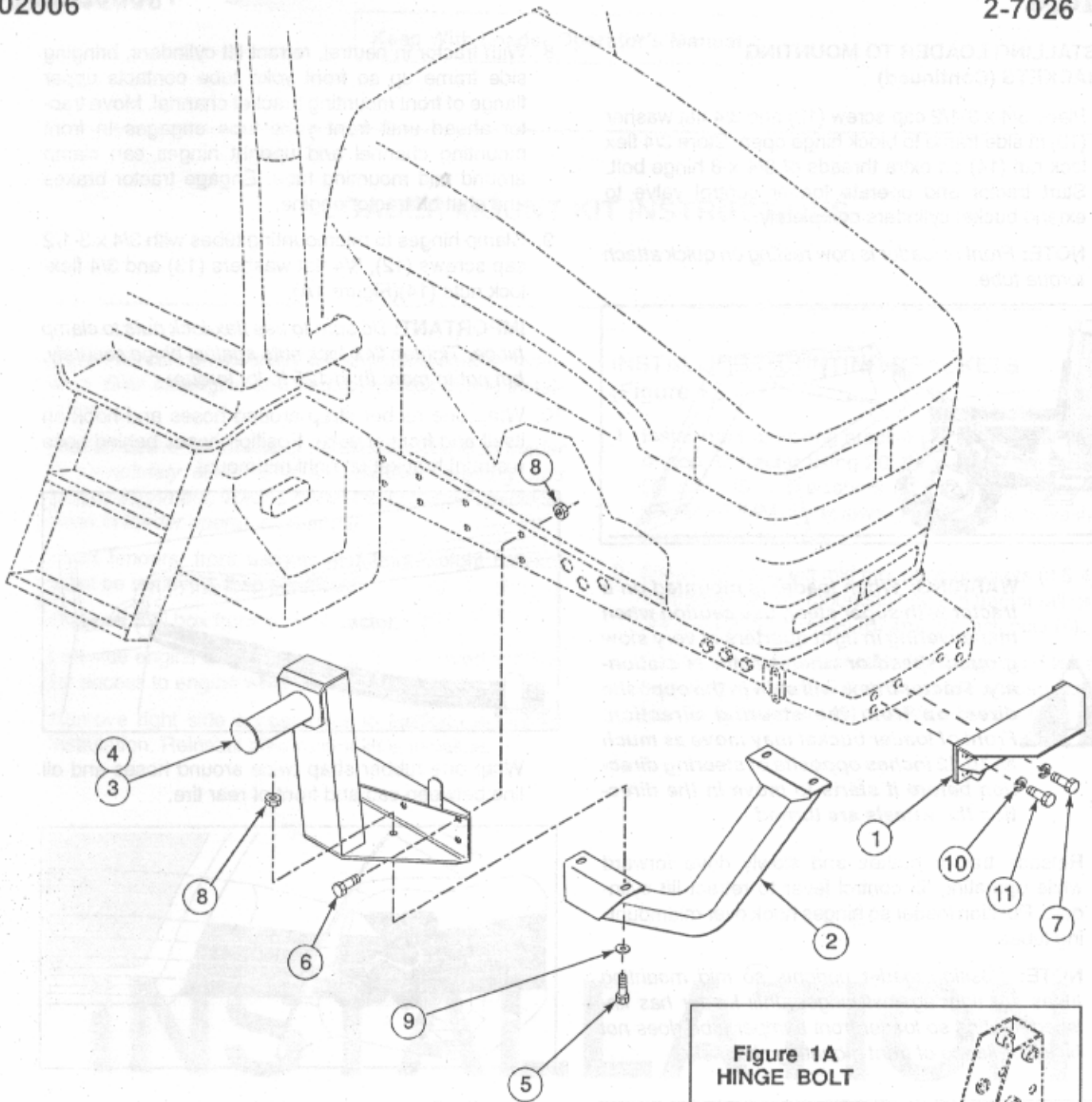
4. Operate loader control valve to extend lift cylinders until yoke is resting on ground and side frame uprights will clear tractor tires. Shut off tractor engine and engage tractor brakes. Relieve pressure on hoses by moving control levers back and forth several times.

**NOTE:** Be sure control levers are not in "Float" position.

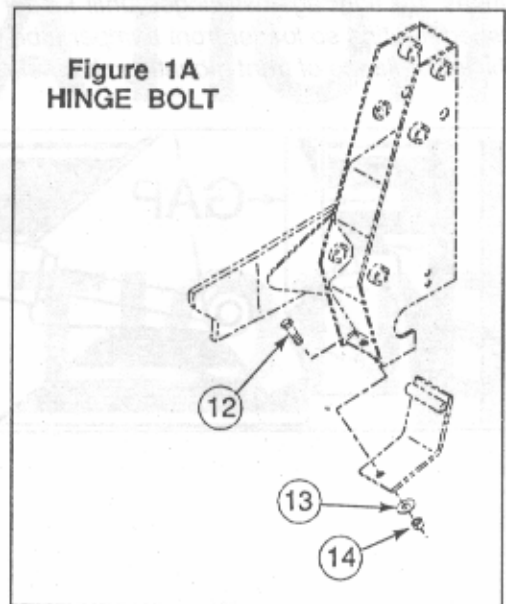
Disconnect hoses from tractor remotes. Reposition tractor facing forward and close enough so hoses can be connected to tractor. Shut off tractor engine and engage tractor brakes.



5. Route hoses to inside of right midmounting bracket and connect to tractor remotes. Overhead hoist may be removed from loader.



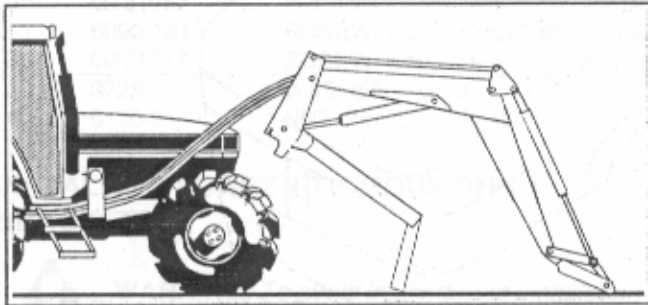
**Figure 1**  
**MOUNT KIT ASSEMBLY**



### INSTALLING LOADER TO MOUNTING BRACKETS (Continued)

- Place 3/4 x 3-1/2 cap screw (12) and 3/4 flat washer (13) in side frame to block hinge open. Store 3/4 flex lock nut (14) on extra threads of 3/4 x 8 hinge bolt. Start tractor and operate loader control valve to extend bucket cylinders completely.

**NOTE:** Front of loader is now resting on quick attach torque tube.

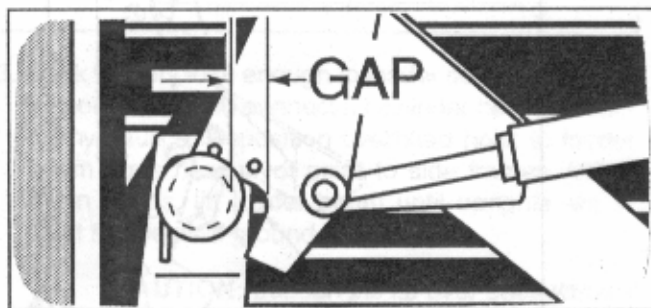


**WARNING:** When loader is mounted on a tractor with super steer, use caution when maneuvering in tight quarters at very slow ground speed or when tractor is stationary. Tractor frame will shift in the opposite direction from the steering direction. Front of loader bucket may move as much as 10-12 inches opposite of steering direction before it starts to move in the direction the wheels are turned.



- Release tractor brakes and slowly drive forward while operating lift control lever to retract lift cylinders. Position loader so hinges hook over midmounting tubes.

**NOTE:** Position loader uprights so mid mounting tubes are tight against hinges until loader has finished rotating so loader front bumper tube does not hit lower flange of front mounting channel.

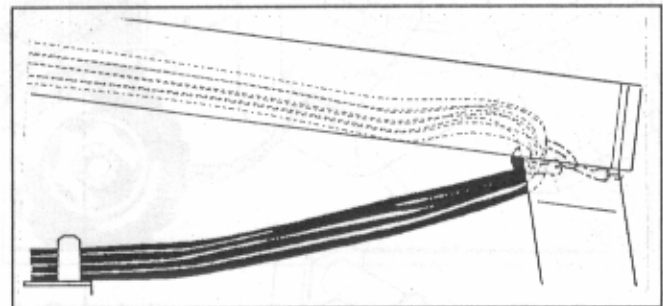


- With tractor in neutral, retract lift cylinders, bringing side frame up so front yoke tube contacts upper flange of front mounting bracket channel. Move tractor ahead until front yoke tube engages in front mounting channel and upright hinges can clamp around mid mounting tube. Engage tractor brakes and shut off tractor engine.

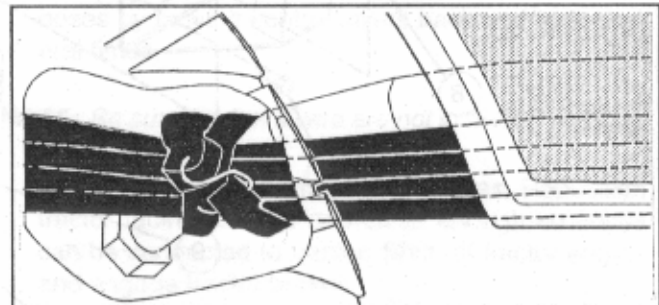
- Clamp hinges to midmounting tubes with 3/4 x 3-1/2 cap screws (12), 3/4 flat washers (13) and 3/4 flex-lock nuts (14)(Figure 1A).

**IMPORTANT:** Be sure to use flex-lock nuts to clamp hinge. Tighten flex-lock nuts against hinge securely, but not to more than 125 ft.-lb. torque.

- Wrap one rubber strap around hoses and hook on itself and front of yoke. Position hoses behind hose restraint bracket on right midmount.



Wrap one rubber strap twice around hoses and oil line between cab and front of rear tire.



**NOTE:** Removing one "S" hook from rubber strap and hooking remaining "S" hook through both ends of rubber strap works best.

- Adjust front wheel tread settings or steering stops, if necessary to prevent interference between tires and loader. Refer to tractor operator's manual for adjustment procedures.

### INSTALLING BUCKET OR ATTACHMENT

Refer to loader operator's manual to install bucket or optional attachment.