

Keep with Operators Manual

MOUNTING BRACKET KIT
FOR MOUNTING 756C BACKHOE SUBFRAME
ON NEW HOLLAND TRACTORS 1120, 1220, TC18 (Prior to SN UD33666),
TC21 & TC21D (Prior to SN UF33357)

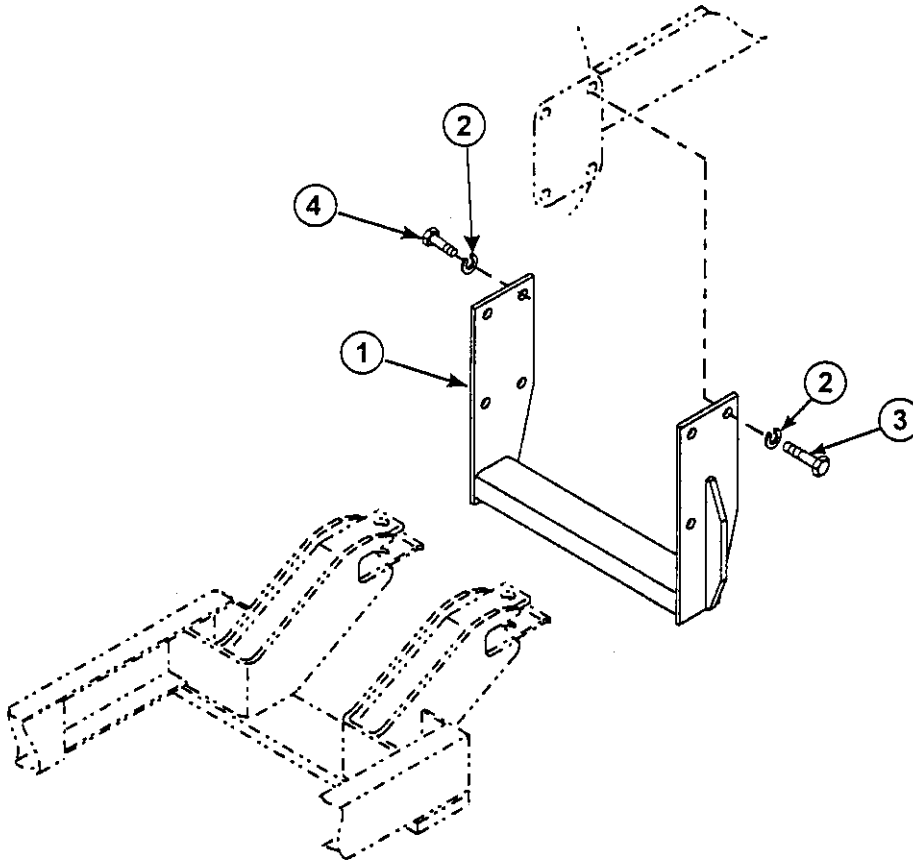


Figure 1
Installing Mounting
Bracket

Mounting bracket is designed to allow mounting of backhoe subframe on tractors with 702C dozer.

INSTALLING MOUNTING BRACKET

1. Install mounting bracket (1) to transmission casting using 12mm x 25mm cap screws (4) and 1/2 lock washers (2) on left side of bracket and 12mm x 35mm cap screws (3) and 1/2 lock washers (2) on

right side of bracket. Torque hardware to 52-62 ft.-lbs. (70-84 Nm).

NOTE: Valve bracket from CNH valve kits 9607230, 9862781, 715429001, or 719348006 is fastened in between transmission casting and mounting bracket on right side of tractor.

Refer to instructions packed with subframe kit to mount subframe to tractor.

PARTS LIST - MOUNTING BRACKET KIT

ITEM	SMC NO.	NH NO.	DESCRIPTION	QTY.
1	46020	SML46020	BRACKET	1
2	41837-5	00080679	WASHER, Lock, 1/2	8
3	42672-30	00043154	SCREW, Cap, 12mm-1.75 x 35mm	4
4	42672-7	SML426727	SCREW, Cap, 12mm-1.75 x 25mm	4

2-6523
2-7043

716566006
716566016

INSTALLATION INSTRUCTIONS