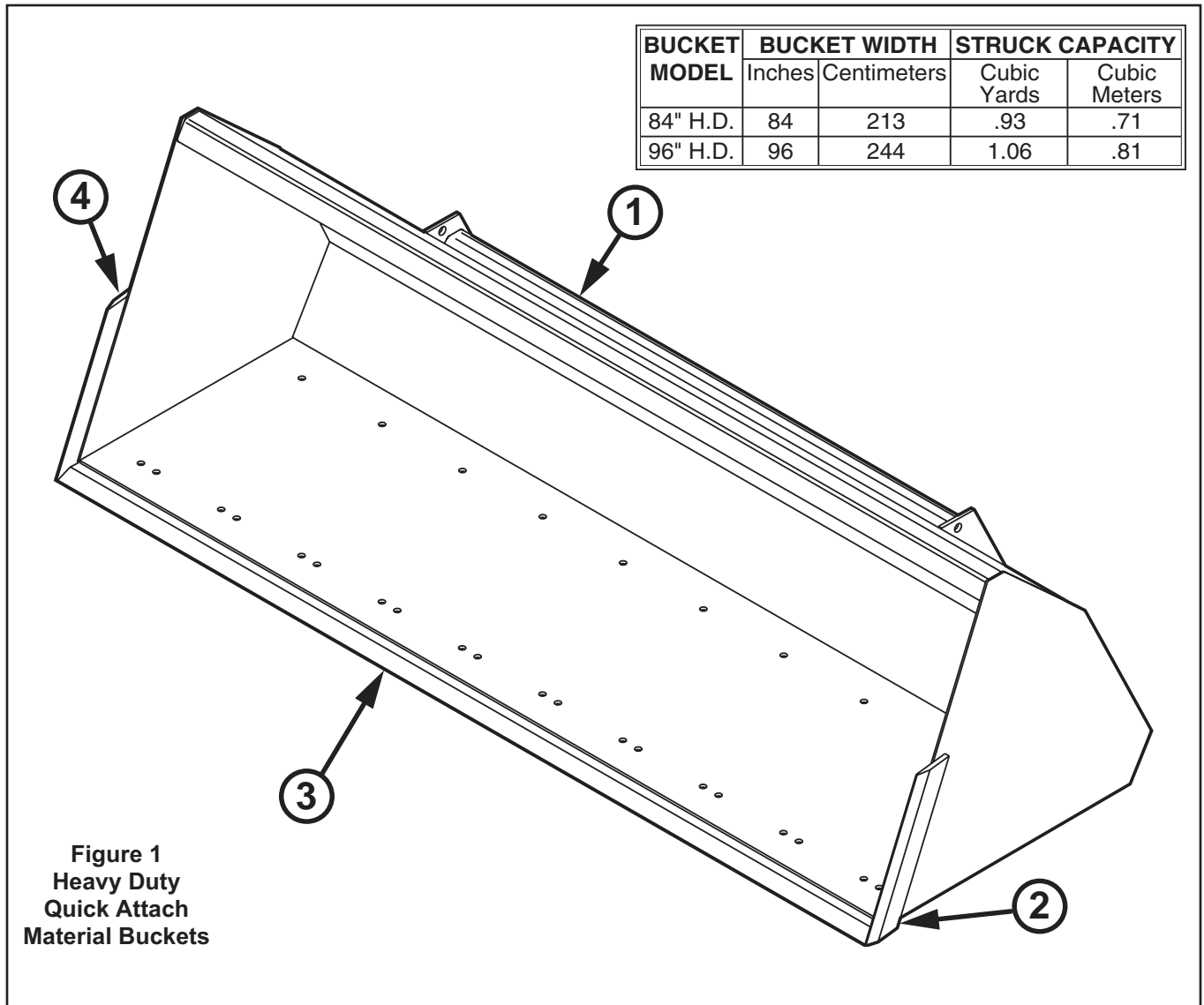


HEAVY DUTY QUICK ATTACH MATERIAL BUCKETS
WITH HOLES FOR MOUNTING OPTIONAL TEETH



PARTS LIST – HEAVY DUTY QUICK ATTACH BUCKETS

Item	SMC No.	NH No.	Description	Qty.
1	*	*	BUCKET, Heavy Duty Quick Attach (Includes cutting edges.)	1
	*	*	BUCKET, Heavy Duty Quick Attach (Includes cutting edges.)	1
2	28086-1	SML280861	CUTTING EDGE, Left Side (84" H.D., 96" H.D.)	1
3	22543-3	SML225433	CUTTING EDGE, Bottom (84" Heavy Duty)	1
	38945-1	SML389451	CUTTING EDGE, Bottom (96" Heavy Duty)	1
4	28086-2	SML280862	CUTTING EDGE, Right Side (84" H.D., 96" H.D.)	1

* Not available as separate repair part.

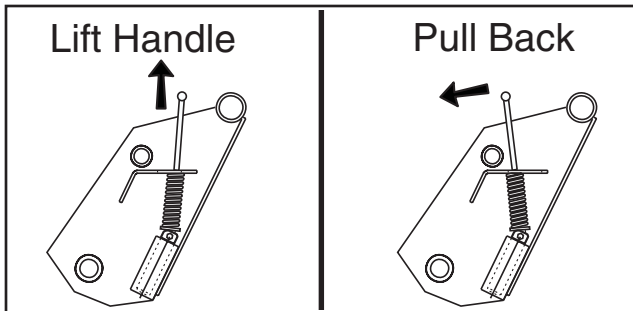
ATTACHING QUICK ATTACH MATERIAL BUCKETS

No tools are needed to install quick attach material buckets. If bucket is to be mounted on a loader where quick attach is an option, loader must be equipped with quick attach device.



WARNING: To avoid injury during mounting or dismounting of bucket or attachment, do not allow bystanders within ten feet of loader and bucket or attachment.

1. Locate tractor and bucket on firm level ground. Lower boom to three to five inches off ground.
2. Disengage latch pins by lifting handles and pulling them backward, so latch pins are held in raised position.



3. Extend bucket cylinders slightly. Making sure loader quick attach bar is parallel to bucket, drive tractor ahead very slowly toward bucket until quick attach bar touches bucket just below attachment channel.
4. Use lift cylinders to raise loader while activating tilt cylinders to curl quick attach device to engage channel of bucket. Moving tractor forward will assist engagement. Fully engage quick attach bar in bucket attachment channel.

NOTE: Some early style quick attach devices require that you shut off tractor engine, set parking brakes and manually engage latch pins in ears on back of bucket to secure bucket to quick attach device. For loaders with later style quick attach device, continue to retract tilt cylinders until latch pins engage bucket securely.

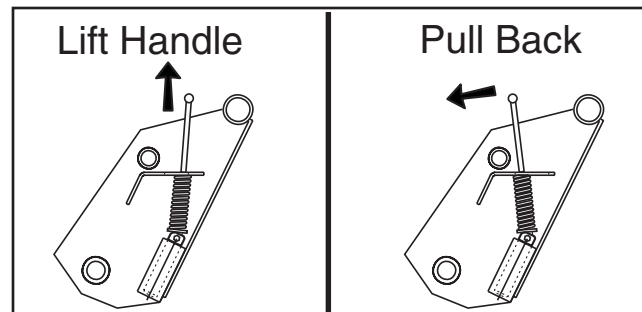
5. Tilt bucket at a slight downward angle, so quick attach device is visible, and inspect attachment mechanism to verify that pins are fully engaged in ears on back of bucket.

NOTE: If bucket is not securely latched, follow instructions for detaching bucket and repeat previous procedure.

DETACHING QUICK ATTACH MATERIAL BUCKETS

NOTE: Loader must be equipped with a bucket or similar heavy attachment to dismount loader from tractor. Attempting to dismount loader without a bucket or with a light attachment, such as a pallet fork, will not provide enough weight to counterbalance loader boom arms when loader is dismounted, allowing loader to roll back (fall) onto boom arms, causing damage to loader and possible serious injury.

1. Locate tractor and bucket on firm level ground.
2. Lower boom arms until bucket rests level two to three inches off ground. Shut off tractor engine and engage parking brakes.
3. Disengage latch pins by lifting handles and pulling them rearward, so latch pins are held in raised position.



4. Start tractor engine, release tractor brakes and extend tilt cylinders while slowly backing tractor away from bucket, until quick attach bar disengages from bucket.

INSTALLATION INSTRUCTIONS