

Keep with Operators Manual

LOADER ROLLBACK IMPROVEMENT KIT FOR 7312 LOADERS

Loader rollback improvement kit is designed to increase rollback angle on 7312 loaders with optional quick attach attachments.

Loader rollback improvement kit can be installed using tools ordinarily available.

Torque all hardware to specifications listed in loader operator's manual.

Remove loader attachment, shut off tractor engine, and engage tractor brakes during installation. Support loader securely with overhead hoist or blocks while replacing quick attach bracket and cylinders.

Only quick attach compatible attachments can be used with the quick attach device. Pin on style attachments are not designed to be used with cylinders supplied with this kit.

All references to left and right used in these instructions are as they would appear to the operator standing at the rear of the unit facing forward.

PREPARING TO INSTALL LOADER ROLLBACK IMPROVEMENT KIT (Figure 1)

1. Loader rollback improvement kit consists of replacement quick attach bracket and tilt cylinders, which are shipped banded together onto a pallet. Unband quick attach bracket (1) and cylinders (2) from shipping pallet.
2. Disassemble parts from existing quick attach bracket that will be needed for reuse in replacement quick attach bracket (1). Remove 1/4 x 1-1/2 capscrews (5) and locknuts (6) to remove handles (3), springs (7), washers (8), and latch pins (4).



CAUTION: Exercise caution when removing handle and spring latch parts. Springs (7), may be held in compression.

3. Mark or tag tilt cylinder hoses (tilt cylinder rod, TCR and tilt cylinder base, TCB) for identification to avoid confusion when reconnecting to rollback improvement tilt cylinders (2). Remove hydraulic connections to existing tilt cylinders.

4. Remove 3/8 x 2-3/4 (12) and 3/8 x 2-1/4 (13) capscrews and lock nuts (14), and disassemble pins (9, 10 & 11) that secure existing quick attach bracket and attachment tilt cylinders to loader main frame. Retain pins and hardware for reassembly.



WARNING: Always use a drift and hammer made of non-sparking material (a shot-filled mallet is recommended) to install or remove pins. A steel hammer or drift could generate flying metal fragments and result in injury. Always wear safety glasses when using a hammer to remove or install pins.

INSTALLING LOADER ROLLBACK IMPROVEMENT KIT COMPONENTS (Figure 1)

1. At right and left end of rollback improvement quick attach bracket (1), apply grease to latch pin cylindrical surface and slide latch pin (4) into sleeve tube. Holding spring (7) and washer (8) in place, slide handle (3) into place. Fasten handle (3) to latch pin (4) using 1/4 x 1-1/2 cap screw (5) and lock nut (6).
2. Fastening tilt indicator guide tube to the inside of the right knee plate of the loader main frame, fasten base end of rollback improvement tilt cylinders (2) to loader main frame using 1-1/4 x 6-1/4 pins (11), 3/8 x 2-1/4 cap screws (14) and 3/8 lock nuts (14). Connect hydraulic connections to tilt cylinders (2).
3. Connect rollback improvement quick attach bracket (1) to lower end of loader boom arms using 1-1/2 x 8-5/8 pins (9), 3/8 x 2-3/4 cap screws (12), and 3/8 lock nuts (14).
4. Slide level indicator rod into guide tube. Connect quick attach bracket (1) to rod end of rollback improvement tilt cylinders (2) using 1-1/4 x 8 pins (10), 3/8 x 2-1/4 cap screws (13) and 3/8 lock nuts (14). Use right 1-1/4 x 8 pin (10) to fasten tilt indicator rod to rod end of right tilt cylinder (2).
5. When assembly is complete, apply grease to all grease fittings (15) in tilt cylinder base and rod ends.

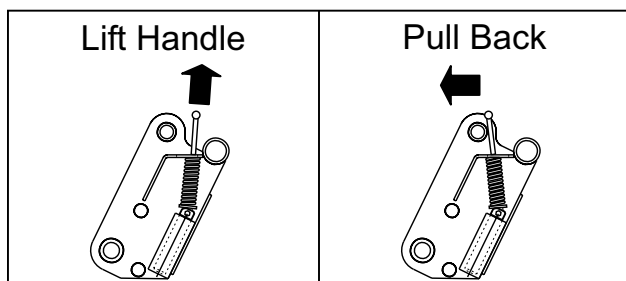
MOUNTING ATTACHMENT TO LOADER

No tools are needed to attach or detach quick attach loader attachments.

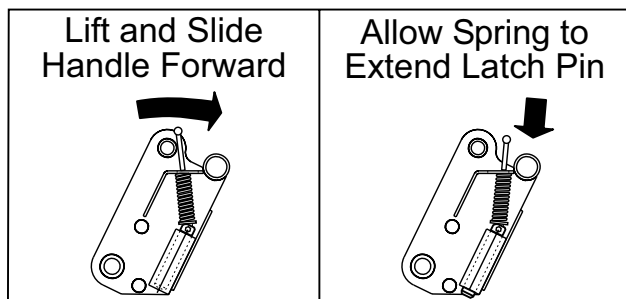


WARNING: To avoid injury during installation of the loader attachment, do not allow bystanders within 10 feet of loader or attachment.

1. Locate tractor and attachment on firm level ground. Lower boom to rest on the ground. Extend the bucket cylinders slightly, while raising the boom to provide three to five inches of ground clearance.
2. Disengage latch pins by lifting handles and pulling them rearward, so latch pins are held in raised position.



3. Making sure quick attach bracket cross tube is parallel to attachment, drive tractor ahead very slowly toward attachment until cross tube touches attachment just below attachment channel.
4. Place tractor in neutral, set parking brake, shut off tractor. Move latch pin handles forward to allow latch pin springs to spring latch pins into to latch (down) position.



5. Tilt attachment at a slight downward angle, so quick attach device is visible and inspect quick attach mechanism to verify that pins are fully engaged in attachment ears.



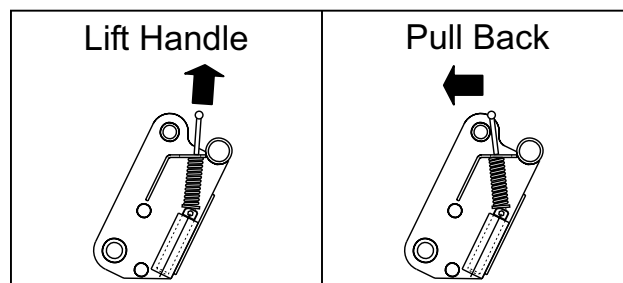
NOTE: If attachment is not securely attached, follow instructions for detaching it and repeat above procedure.

DISMOUNTING ATTACHMENT FROM LOADER

WARNING: To avoid injury during installation/removal of the loader attachment, do not allow bystanders within 10 feet of loader or attachment.

IMPORTANT: Loader must be equipped with a bucket, bale spear, or similar attachment to dismount loader from tractor.

1. Locate tractor and loader on level ground.
2. Lower boom arms until the attachment is level and approximately two to three inches off ground. Shut off tractor engine and set tractor parking brakes.
3. Disengage latch pins by lifting handles and pulling them rearward, so latch pins are held in raised position.



4. Start tractor engine, release brake and extend bucket cylinders while slowly backing the tractor away from attachment, until quick attach disengages from attachment.

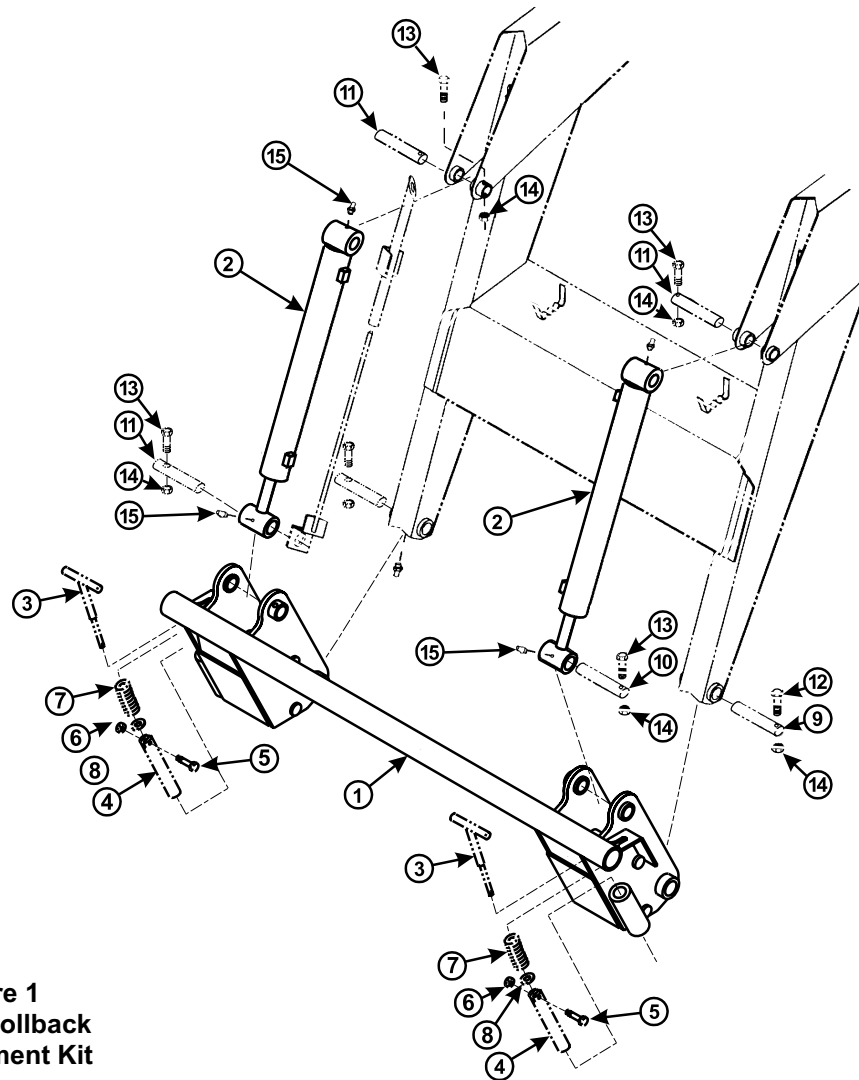


Figure 1
Loader Rollback
Improvement Kit

PARTS LIST - LOADER ROLLBACK IMPROVEMENT KIT (Figure 1)

ITEM	SMC NO.	NH NO.	DESCRIPTION	QTY.
1	49811	SML49811	BRACKET, Quick Attach, Rollback Improvement	1
2	49588	SML49588	CYLINDER, Loader Tilt, Rollback Improvement	2
*3	37020	SML37020	HANDLE, Quick Attach	2
*4	37017	86582466	PIN, Latch, 1/4 x 9-1/2	2
*5	G180034	280112	SCREW, Cap, 1/4-20 x 1-1/2	2
*6	G942215	20356	NUT, Lock, 1/4-20	2
*7	6043-12	86582528	SPRING	2
*8	G130999	80299	WASHER, Flat, 5/8	2
*9	40755-1	SML407551	PIN, 1-1/2 x 8-5/8	2
*10	36368-3	SML363683	PIN, 1-1/4 x 8	2
*11	36368-7	SML363687	PIN, 1-1/4 x 6-1/4	2
*12	G180137	88444	SCREW, Cap, 3/8-16 x 2-3/4	2
*13	G180132	88546	SCREW, Cap, 3/8-16 x 2-1/4	4
*14	G9413534	9637692	NUT, Lock, 3/8-16	6
15	6075-4	PL	FITTING, Grease, 1/4-28, Straight	4

* Reuse existing items from loader and quick attach.

INSTALLATION INSTRUCTIONS